



HOOD CHEFTOP - BAKERTOP MIND.Maps™

XEHC-HC13	XEVHC-CF11
XEHC-HC23	XEVHC-CF21
XEVHC-HC11	XEHC-CF13
XEBHC-HCEU	XEHC-CF23
XEAHC-HCFL	XEAHL-HCFL
XEVHC-HC21	

INSTALLATION, USE AND MAINTENANCE MANUAL
translation of original instructions

HOODS

SAFETY REGULATIONS

SAFETY REGULATIONS FOR INSTALLATION AND MAINTENANCE	4
SAFETY REGULATIONS FOR USE	5

INTRODUCTION

EXPLANATION OF PICTOGRAMS	7
FORWARD	8

INSTALLATION

UNPACKING OF THE APPLIANCE	11
CHECKING PACK CONTENTS	13
GETTING STARTED	13
POSITIONING	14
ELECTRICAL CONNECTIONS	19
PLUMBING CONNECTIONS	21
SMOKE EXHAUST	28
HOOD AND OVEN INTERCONNECTION	30

USE

USE	31
-----------	----

MAINTENANCE

ROUTINE MAINTENANCE	34
INACTIVITY	36
DISPOSAL	36
CERTIFICATION	37
AFTER-SALES ASSISTANCE	38

HOODS

Safety regulations

SAFETY REGULATIONS FOR INSTALLATION AND MAINTENANCE

- Read this guide carefully before installing or maintaining the appliance, and conserve this guide with care for any future consultation of users.
- All installation, assembly and non-routine maintenance operation must be performed exclusively by qualified technicians that are authorized by UNOX, in compliance with the regulations in force in the user country, with respect to the regulations on systems and work safety.
- Before starting installation or maintenance disconnect the appliance from any electrical connections.
- Check that systems are compliant to the installation country standards and to the specifications indicated on the appliance rating plate before installing the appliance.
- Interventions, alterations or modifications not expressly authorised that do not comply with the indications in this manual shall invalidate the guarantee*.
- Installation or maintenance that fails to respect the indications in this manual may cause damage, injury or fatal accidents.
- Persons not involved with appliance installation may not pass through or occupy the work area during appliance assembly.
- Given its potential danger, the packaging material must be kept out of reach of children and animals, and correctly disposed of in compliance with local regulations.

***Please visit the Warranty section of the Unox Web site (www.unox.com) for further details**

- The ratings plate provides essential technical information that is of utmost importance for any appliance maintenance or repairs. Do not remove, damage or modify the plate.
- Failure to follow these instructions can cause damage and injury or death, voids the warranty and exempts UNOX from any liability.

SAFETY REGULATIONS FOR USE

- Following procedures other than those indicated in this guide to use and clean the appliances is considered inappropriate and may cause damage, injury or fatal accidents; in addition to invalidating the guarantee* and relieving UNOX of all liability.
- Children must not play with the appliance. Cleaning and maintenance to be implemented by the user shall not be carried out by children without supervision.
- Children must be supervised to ensure they do not play with the appliance.
- This appliance can be used exclusively:
 - By qualified personnel that attend scheduled training courses;
 - In combination with the UNOX electrical ovens of the **CHEFTOP - BAKERTOP MIND.Maps™** line for industrial kitchens;
 - For the aspiration and condensation of smoke evacuated via the oven flue;
 - For smoke aspiration and evacuation that exit the oven when the door is opened.
- If the appliance does not function or if there are any functional or structural alterations, disconnect the electricity and water supplies and contact a UNOX authorized customer assistance service. Do not attempt

- to independently repair the appliance. Request UNOX original spare parts for any repairs necessary.
- To ensure that the appliance is in perfect use and in a safe condition, maintenance and inspections should be performed yearly by an authorised customer agent service.
 - Never use the hood without front filters!



RISK OF FIRE!

- Before using the appliance make sure that there are no non-compliant object (instruction manuals, plastic bags or other) in the oven cavity; likewise, make sure that the smoke exhaust is free of obstructions and that no flammable materials are in its vicinity.



RISK OR ELECTRICAL SHOCK

- Do not open the compartments marked with these symbols: access is reserved to qualified personnel authorised by UNOX.
- Failure to observe these regulations may cause damage and (fatal) injuries, and also invalidates the guarantee*.

HOODS

Introduction

Dear Customer,

We would like to congratulate and thank you for choosing to purchase an appliance in the **CHEFTOP - BAKERTOP MIND.Maps™** range; we hope this is just the beginning of a fruitful and long-lasting partnership.

These ovens are the climax of Unox research and guarantee minimum occupation of space with superlative performance while offering outstanding cooking management at any condition of use and load.

EXPLANATION OF PICTOGRAMS

The installation and user instructions are valid for all models unless otherwise specified by the following pictograms:



Danger! Situation presenting immediate danger, or a hazardous situation which could cause injury or death.



Danger: fire hazard!



Tips and useful information



Danger: electric shock!



Earthing symbol



Read the instruction manual



Equipotential symbol



Danger: risk of burns



Consult other chapter

FORWARD

This appliance can be used exclusively:

- by qualified personnel that attend scheduled training courses;
- in combination with UNOX electrical ovens of the **CHEFTOP - BAKERTOP MIND.Maps™** line for industrial kitchens (for more information see "Table A" on page 8);
- for the aspiration and condensation of smoke evacuated via the oven flue;
- for smoke aspiration and evacuation that exit the oven when the door is opened.



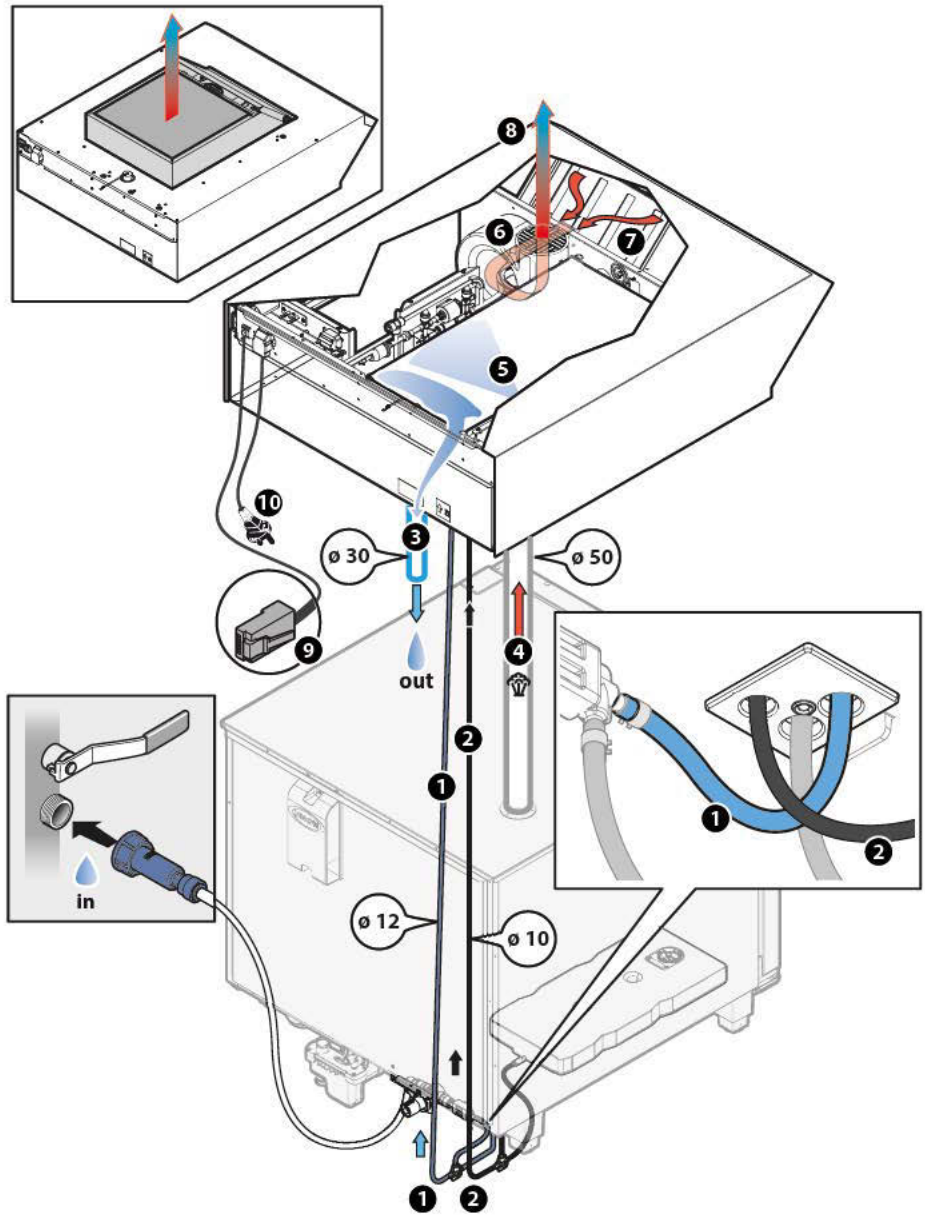
We recommend you thoroughly read this manual for all instructions on how to maintain the aesthetic and functional qualities of your purchased product intact.

Table A

HOOD MODEL	COUPLING WITH COMBINED OVENS OF THE RANGE
XECHC-HC13	CHEFTOP MIND.Maps™ COMPACT GN1/3 ovens
XECHC-HC23	CHEFTOP MIND.Maps™ COMPACT GN2/3 ovens
XEVHC-HC11	GN1/1 counter top ovens
XEBHC-HCEU	600x400 counter top ovens
XEAHC-HCFL	GN1/1 & 600x400 free standing ovens
XEVHC-HC21	GN2/1 counter top ovens
XEVHC-CF11	GN1/1 counter top ovens
XEVHC-CF21	GN2/1 counter top ovens
XECHC-CF23	CHEFTOP MIND.Maps™ COMPACT GN2/3 ovens
XECHC-CF13	CHEFTOP MIND.Maps™ COMPACT GN1/3 ovens
XEAHL-HCFL	BIG ovens

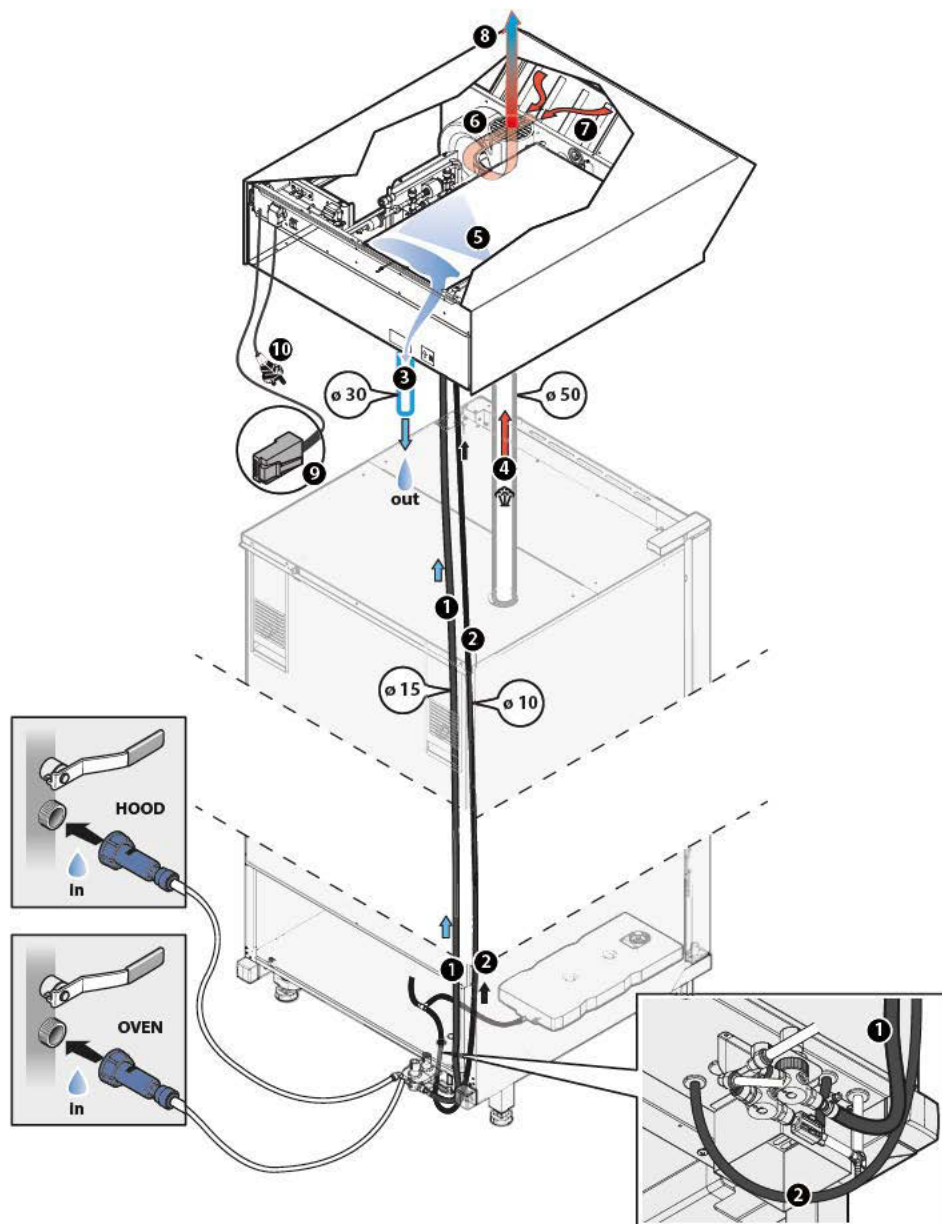
- 1 cold water supply thermally controlled by a temperature sensor
- 2 **UNOX.Det&Rinse** detergent supply
- 3 residual water discharge
- 4 cavity moisture released from underlying oven flues
- 5 vapour condenser
- 6 2-speed aspiration motor
- 7 cavity moisture released from open door
- 8 exiting cold air
- 9 RJ45 cable: connects the hood to the oven
- 10 plug for connection to the electricity mains

XEVHC-CF11 - XEVHC-CF21
 XEHC-CF23 - XEHC-CF13



EN

XEAHL-HCFL for L series BIG ovens



HOODS

Installation

1 UNPACKING OF THE APPLIANCE

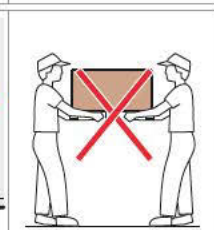
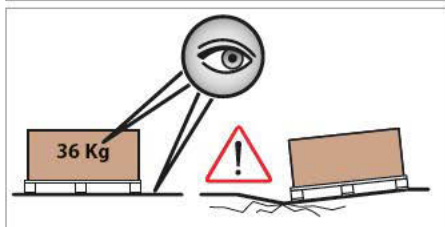
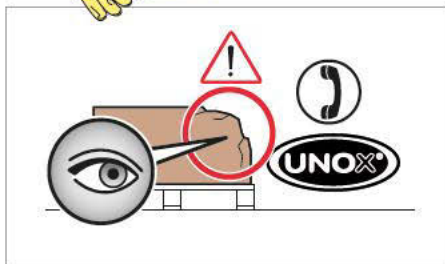
Check the package for any visible damage. If damage is found, immediately contact UNOX and DO NOT install the appliance.

Before transporting the appliance to its installation point, make sure that:

- it easily passes through doorways;
- the floor supports its weight.

Transport must be exclusively performed by mechanical means (i.e. transpallet fork-lift).

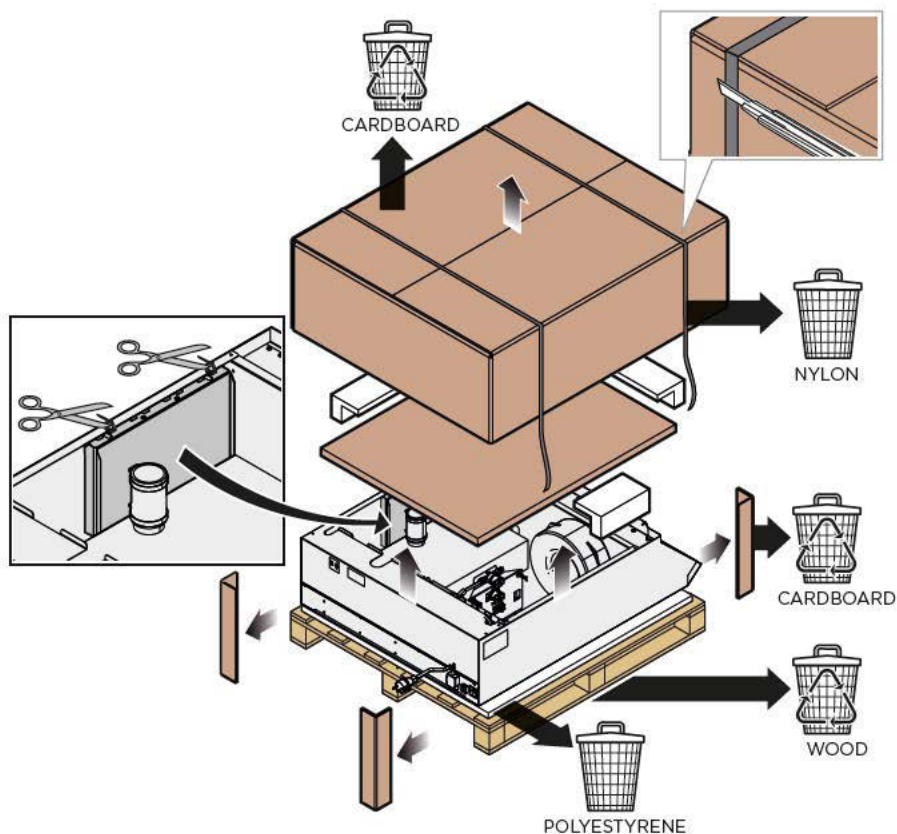
Given its potential danger, the packaging material must be kept out of reach of children and animals, and correctly disposed of in compliance with local regulations.



NON-STOP Efforts

UNOX has followed the **NON-STOP Efforts** philosophy for years to increase the environmental compatibility of its products to reduce energy consumption and wastes.

UNOX wishes to protect the environment and invites the consumer to dispose of waste in recycling bins.



2 CHECKING PACKAGE CONTENTS

Before installing the appliance, check that the following packaged components are present and free of damage.

❗ Contact UNOX if a component is missing or damaged.

- hood pre-fitting for:
 - electrical connections (power supply cable already assembled);
 - plumbing connections;
 - connection to a **CHEFTOP - BAKERTOP MIND.Maps™** oven (RJ45 cable pre-assembled);
- 50mm exhaust pipe (30mm for compact ovens);
- metal clips;
- screws; 5 siphon support bracket;
- technical documentation (use and maintenance booklet);

3 GETTING STARTED

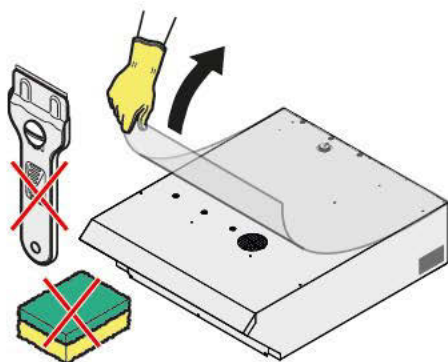
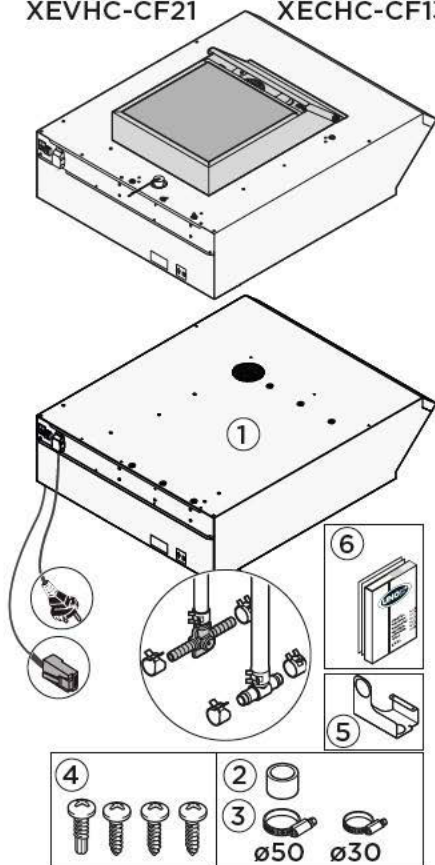
Removing the film

Slowly remove the protective films from the appliance: clean any glue residues with appropriate solvents without using tools, abrasive detergents or acids that could ruin the surfaces.

❗ The removed film, given its potential danger, must be kept out of reach of children and animals; and correctly disposed of in compliance with local regulations.

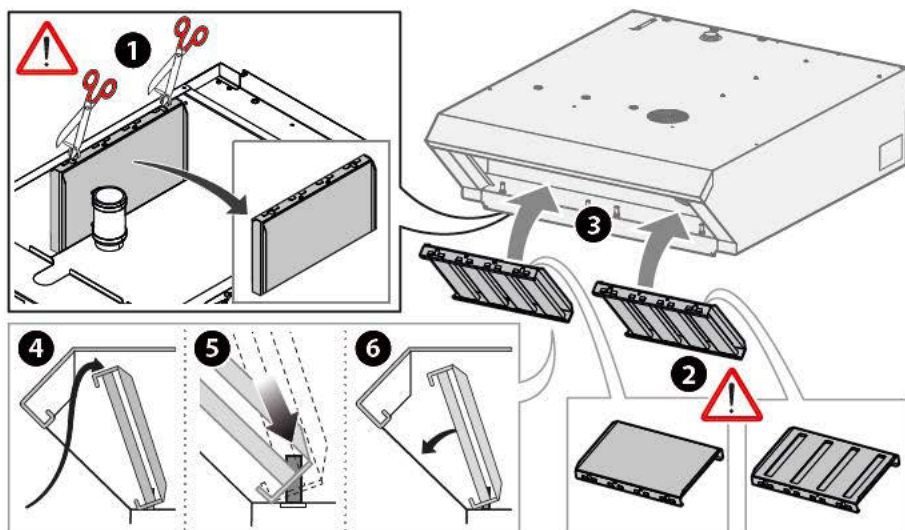
XEVHC-CF11
XEVHC-CF21

XECHC-CF23
XECHC-CF13



Installation of filters (BIG oven hoods EXCLUDED)

Make sure filters are correctly positioned during installation (the filter with slots on both sides must be placed in correspondence to the handle so that the steam is aspirated as soon as the oven door is opened).



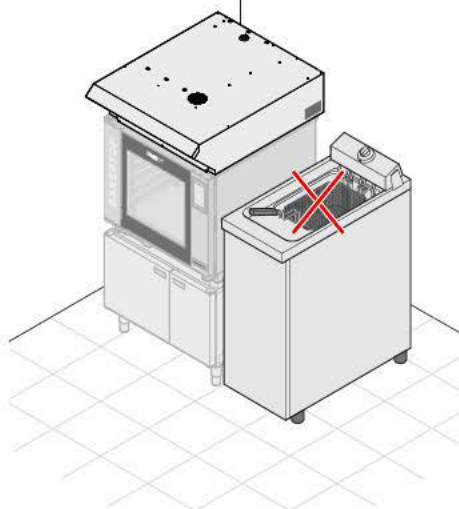
4

POSITIONING

Characteristics of the installation area

- dedicated and conforming to the cooking of industrial foods;
- having adequate air ventilation;
- that comply with the laws in your country;
- protected against the weather;
- with temperatures between +5° to +35°C maximum;
- having a maximum humidity of 70%.

The appliances must only be positioned on top of **CHEFTOP - BAKER-TOP MIND.Maps™** model electrical ovens and fixed to them according to the method indicated in section "Anchoring to bottom-stacked ovens" on page 16.



! The appliance is not suited for recessed installation.

Make sure that the floor can support the weight of the appliance coupled to the equipment below (see "Table B" on the side).

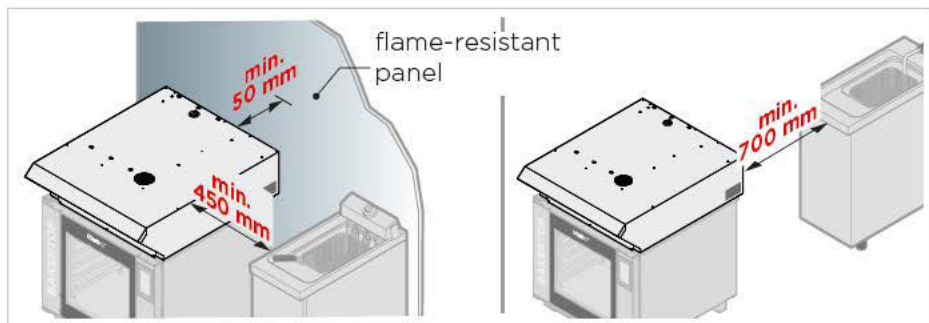
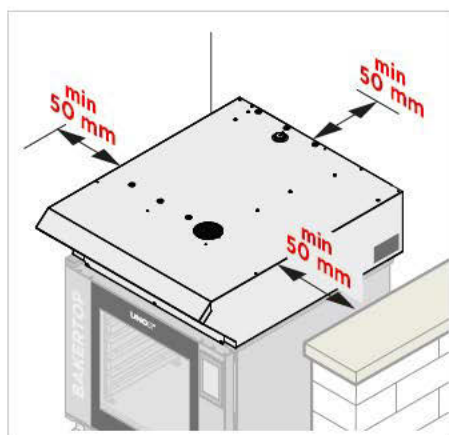
Table B

MODELS	Size (LxWxH)	Weight kg
XEHC-HC13	535x900x240	20
XEHC-HC23	535x1100x240	20
XEVHC-HC11	750x956x240	23
XEBHC-HCEU	860x1145x240	25
XEAHC-HCFL	868x1159x240	30
XEVHC-HC21	868x1323x240	36
XEVHC-CF11	750x956x366	30
XEVHC-CF21	868x1323x366	43
XEHC-CF23	535x1100x366	27
XEHC-CF13	535x900x366	27
XEAHL-HCFL	892x1131x239	35

Appliance distances

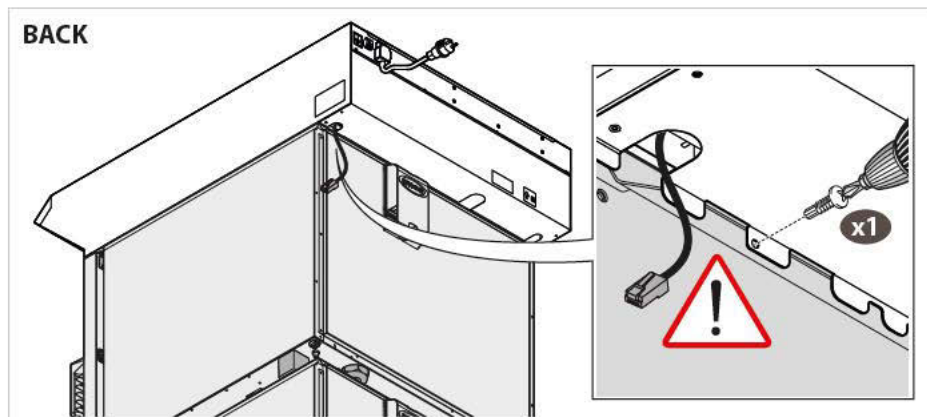
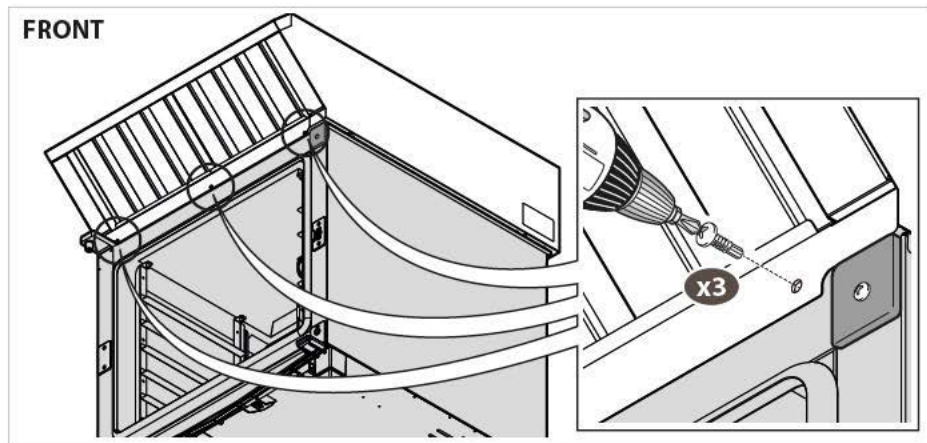
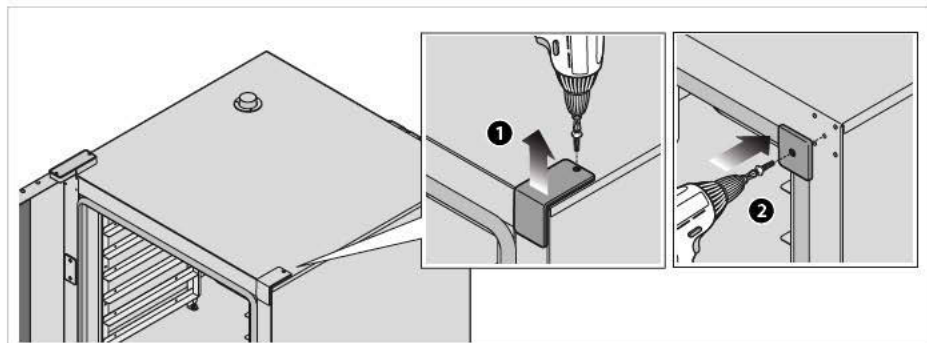
Position the appliance respecting the indicated distances in the diagram and so that the back of the oven is easily accessible for appliance connections and maintenance.

! Do not install the appliance near flammable or heat sensitive materials, walls or furniture. Otherwise, protect them with appropriate non-flammable materials in compliance with fire prevention regulations - see diagram below.



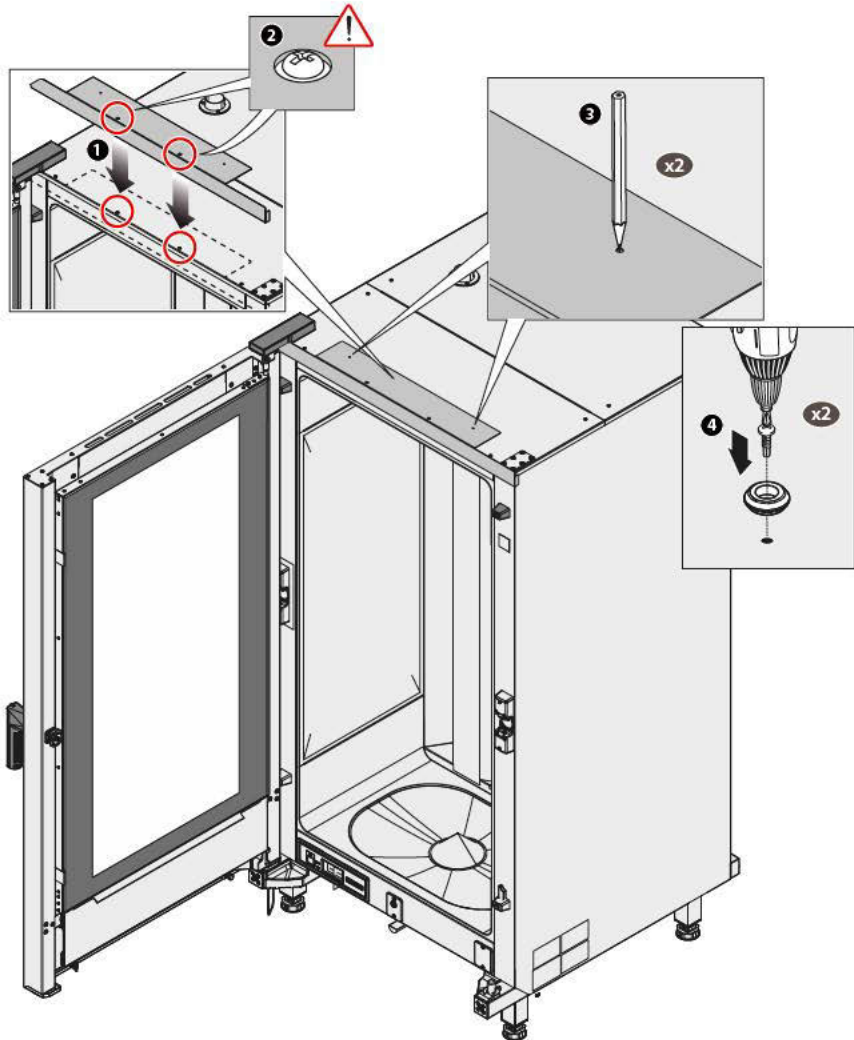
Anchoring to bottom-stacked ovens

 For sake of practicality, we recommend performing rear connections after having made electrical, plumbing and smoke flue connections.

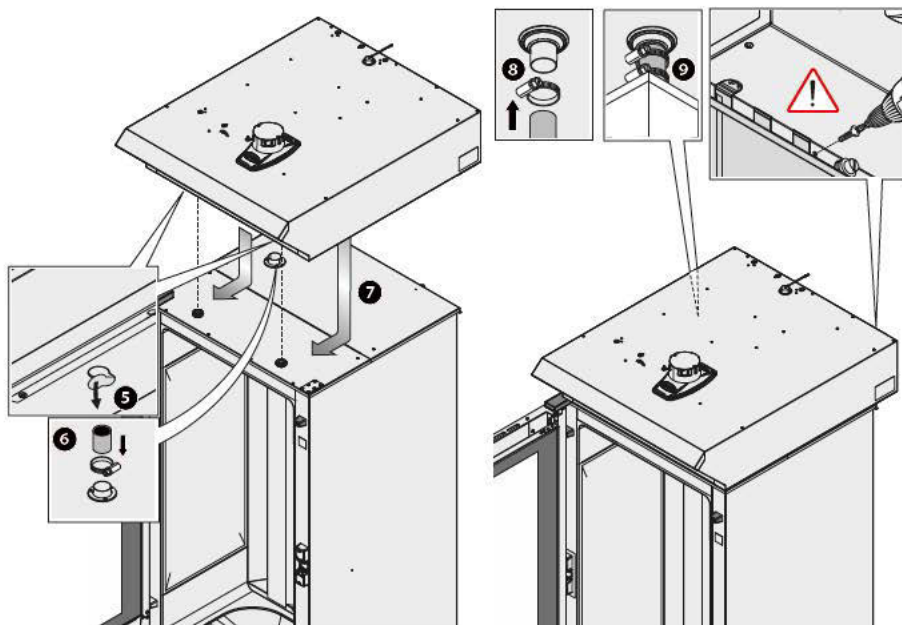


Anchoring to bottom-stacked ovens for BIG ovens

 For sake of practicality, we recommend performing rear connections after having made electrical, plumbing and smoke flue connections.

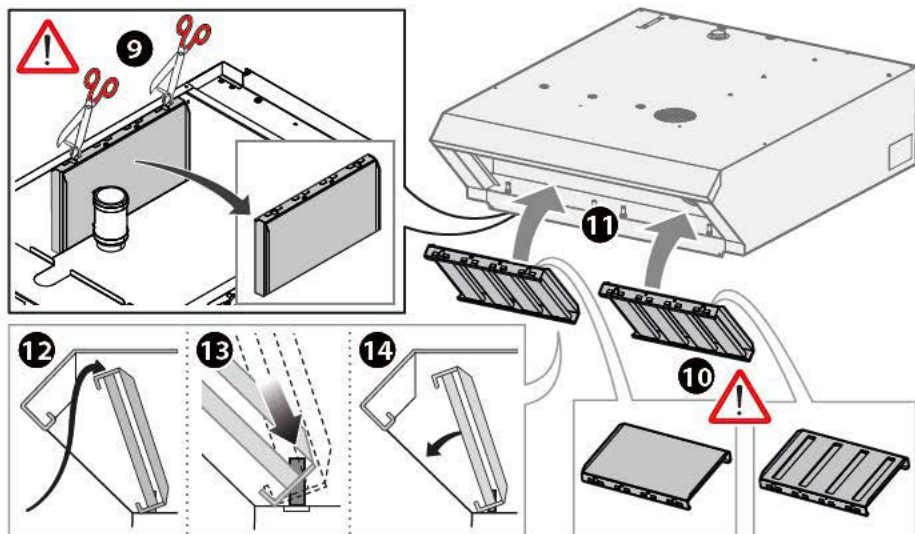


Anchoring to bottom-stacked ovens for BIG ovens



Installation of filters (ONLY hoods provided on BIG ovens)

Make sure filters are correctly positioned during installation (the filter with slots on both sides must be placed in correspondence to the handle so that the steam is aspirated as soon as the oven door is opened).



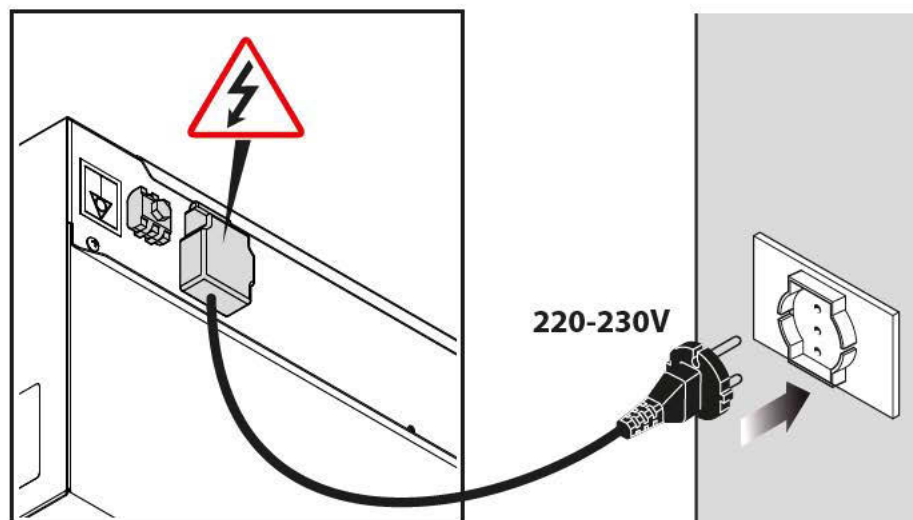
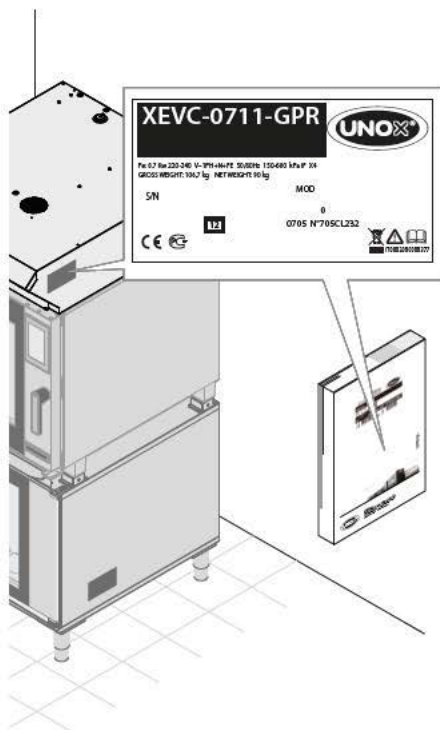
5 ELECTRICAL CONNECTIONS



Before installing the appliance carefully read section "Safety regulations for installation and maintenance" on page 4.




Connections to the main power and the electrical system must comply with the regulations in force in the country of installation of the appliance; and all connections must be performed by qualified personnel authorised by UNOX. Failure to comply with these regulations may cause damage and injuries, invalidates the guarantee* and relieves UNOX of all liabilities.




*Please visit the Warranty section of the Unox Web site (www.unox.com) for further details


Before connecting the appliance to the mains electricity, always compare the power supply data with that of the appliance specified on the rating plate.


The appliance is released from the factory with power cable and plug already connected to the terminal. Do not make any other type of electrical connection and no dimensional modification of the cable other than extensions, replacing it only with one having specifications equal to the original factory cable (type of rubber, cross-section, etc.).

 The cable must be replaced by UNOX or by its technical assistance service, and in all cases by a person with similar qualification in order to avoid possible risks.

 The wiring diagrams, wire specifications and the technical data are indicated on the "Technical specifications" sheet attached to the appliance.

For proper electrical connections, the appliance must:

- Be wired into an equipotential system in accordance with current regulations. This connection must be performed between different appliances with the terminal marked with the equipotential symbol . The cable must have a maximum cross-section of 10 mm² (pursuant standard CEI EN 60335-2-42:2003-09) and be of yellow-green colour.

- Must be grounded  to the earthing (green-yellow wire).
- Must be connected to a thermal differential switch in compliance with the regulations in force (0.03A Type A).
- Must be connected to a omnipolar circuit breaker mechanism that enables complete disconnection in category III over voltage conditions.

Checks

- The copper jumper in the terminal board and the electrical cable must be secured together under the screw in its tightening direction; and the electrical connections must be securely tightened before connecting the appliance to the electricity mains.
- Check for any electrical dispersion between the phases and the ground, and for electrical continuity between the external casing and the main ground line.
- Check that the power supply voltage does not deviate from the nominal voltage value specified on the appliance rating plate when the appliance is operating. If this is not the case, wire the phases as specified on the "technical specifications" sheet attached.

6 HYDRAULIC CONNECTIONS

Inlet water


The back of the device is equipped with:


A two meters of pipe with a tee coupling for the connection to the oven inlet supply (already fitted with a mechanical filter and the (3/4") fitting with non-return valve).

B a pipe to supply the detergent to wash the filters.


Before connecting the water pipe to the appliance, flush it out with water in order to eliminate any residue which has accumulated inside it.

A shut off valve should be positioned between the water mains and the appliance;

 The new hose-sets supplied with the appliance are to be used for the connection to the water supply. Old hose-sets should not be reused.

 For further information, refer to the instructions inside the **CHEFTOP - BAKERTOP MIND. Maps™** oven packaging.

INLET WATER CHARACTERISTICS

 Any damage caused by using water with parameters that do not correspond to what is specified in this section is not covered by the guarantee.

Inlet water must have the following specifications:

- maximum water temperature of 30 °C;
- water of drinking quality;
- water pressure between 150 and 600 kPa (we recommend 200 kPa).

 If the inlet water pressure is lower than the indicated value (150kPa) use a pump with adequate capacity (minimum flow 300 l/h).

Inflow water specifications WASHING circuit:

Free chlorine $\leq 0,1$ ppm

Chloramine $\leq 0,1$ ppm

TDS ≤ 125 ppm

Silica ≤ 12 ppm

pH 7 ÷ 8,5

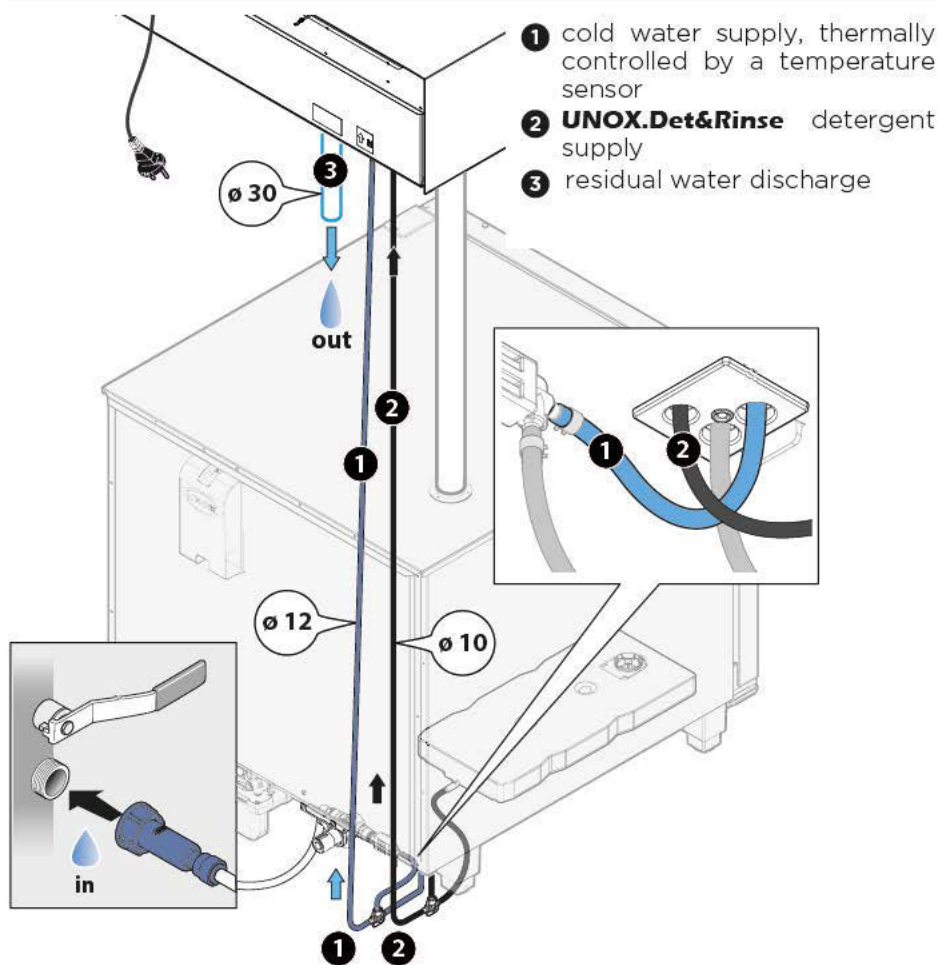
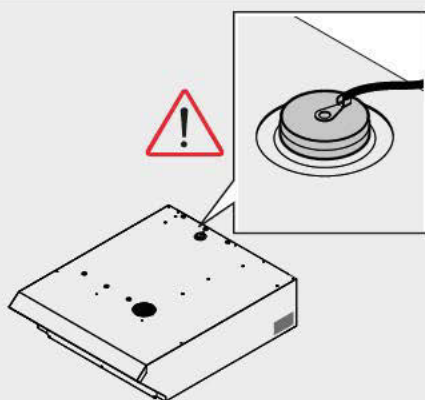
Total hardness (TH) $\leq 15^{\circ}d$

Chlorides ≤ 35 ppm

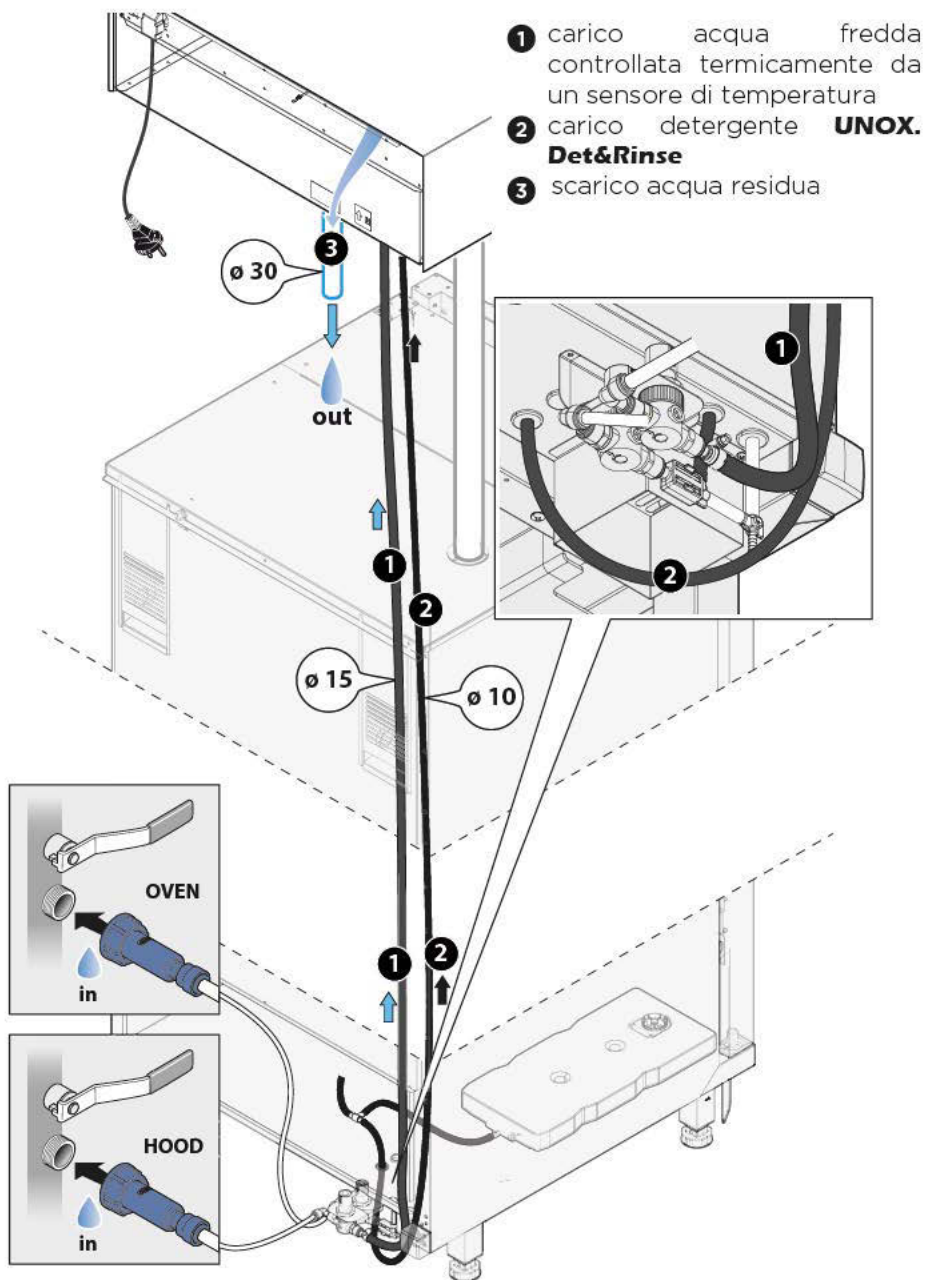
Alkalinity ≤ 200 ppm as CaCO_3

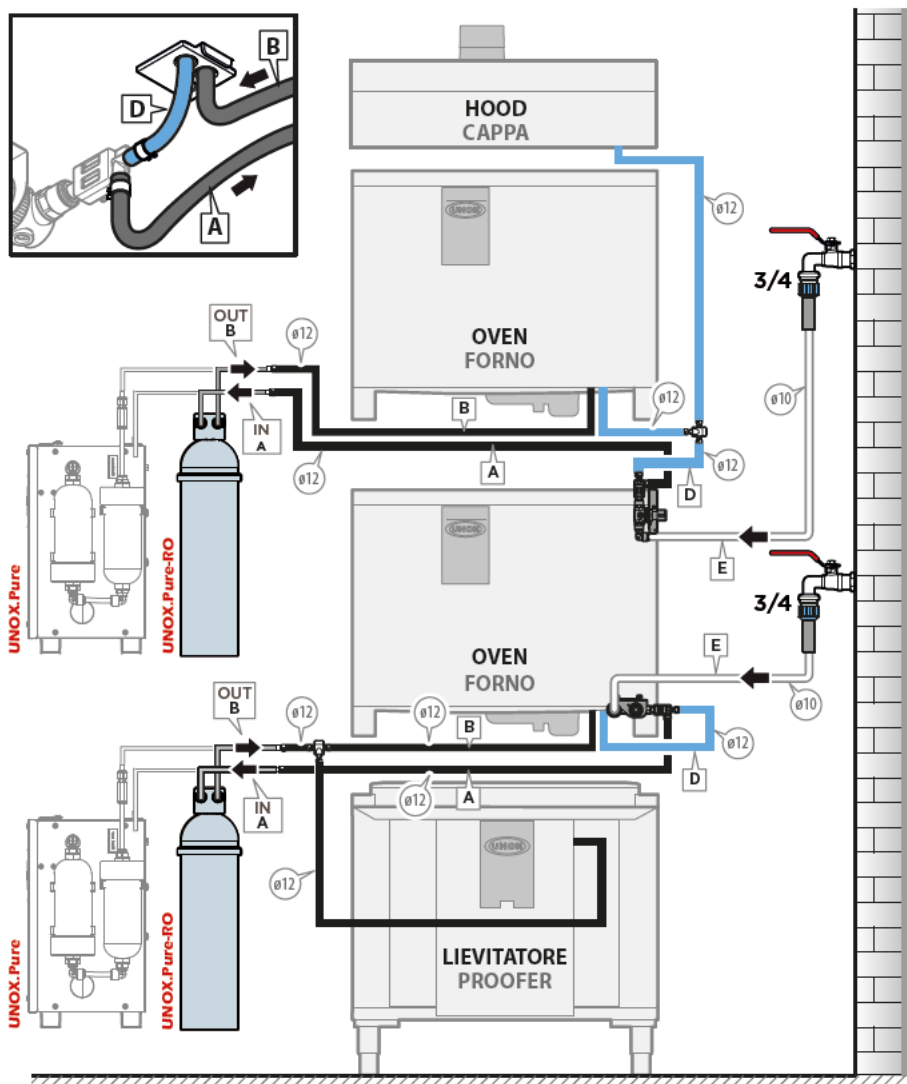
Should the water values for the WASH circuit differ from those shown, treat the water entering the system as necessary.

Once the connections are made, make sure the rubber plug (tied to the hood with a string) is in position. The plug is above the hood liquid drain and is useful if the drain gets blocked so that the vapour condenser can be inspected.



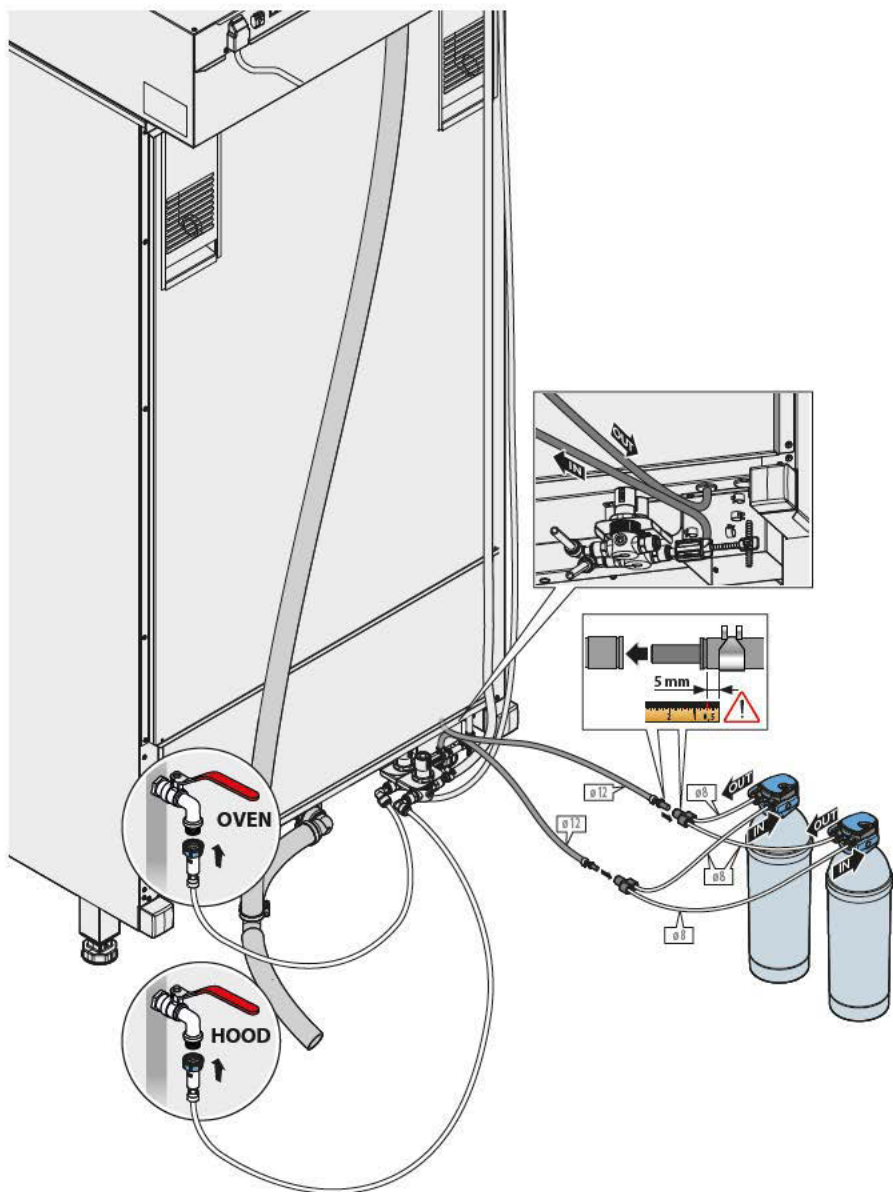
BIG ovens





- A: Untreated water (to Unox.Pure/Unox. Pure-RO)
- B: Treated water (from Unox.Pure/Unox. Pure-RO)
- C: Connection to the detergent tank
- D: Cleaning water (untreated)
- E: Incoming water

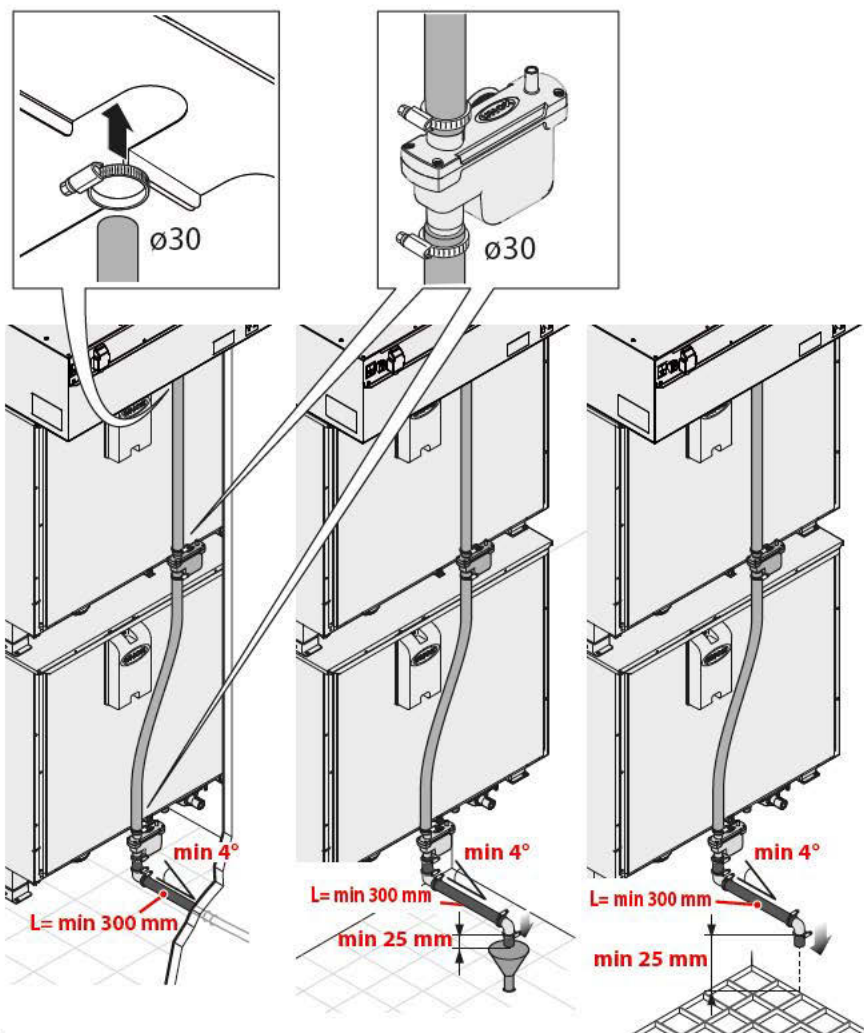
BIG ovens



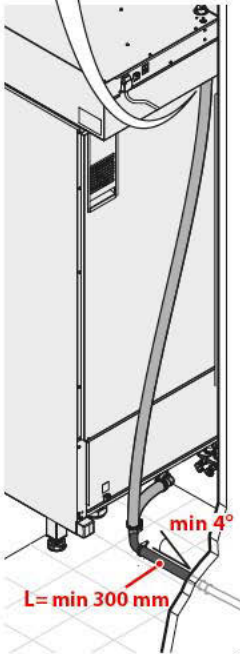
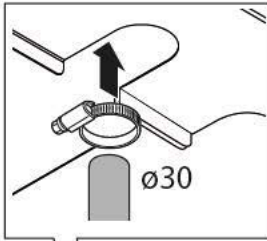
Outgoing water

Plumbing connections are on the rear of the appliance: connect the attachment to a rigid pipe or hose by using a metal clip (supplied) and connect to a waste water discharge.

- ❗ UNOX recommends its proprietary rigid pipes and flexible hoses.
- ❗ The waste water draining from the appliance may be hot (90°C). The pipes used for water drainage must be able to withstand high temperatures.



Outgoing water BIG ovens



Drainage specifications

The drainage system must:

- be a siphon-type;
- be one meter in length maximum;
- have a minimum incline of 4%;
- have a diameter that is NOT less than the drain pipe attachment;
- be dedicated to each appliance; if this is not the case, make sure that the main drainage pipe is sized sufficiently to ensure that water flows away properly without any problems;
- be free of kinks and sharp ends.

 For additional information see the instructions contained inside your **CHEFTOP - BAKERTOP MIND.Maps™** packaging.


7 SMOKE EXHAUST

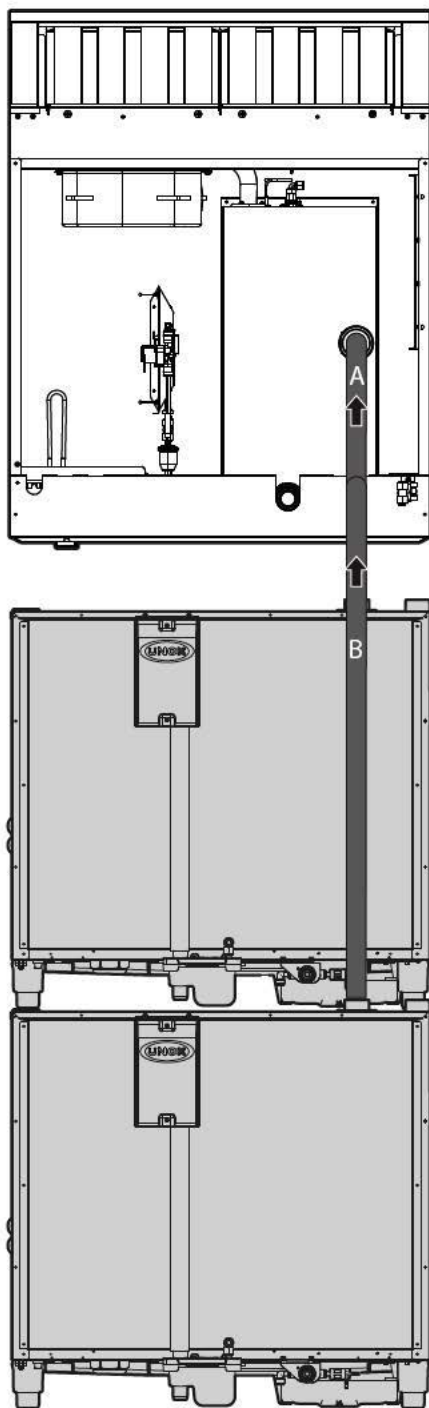
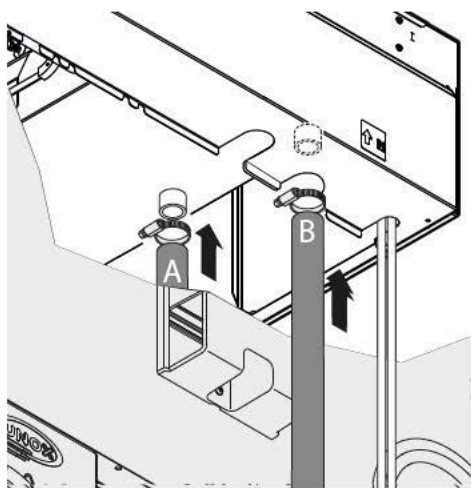
Connection to oven smoke flues

Cooking produces hot smoke and odours that are evacuated through an exhaust pipe on the top portion of the appliance.

Stacked ovens require that both the top and bottom ovens be connected to the hood.

The unused smoke intakes of the hood must be sealed using the plugs supplied.

 UNOX recommends its exhaust pipes.




Hood smoke exhaust

Smoke and odours coming from the oven cavity are evacuated through the hood smoke flues

External evacuation can be performed in 1 of 3 manners:


1) Direct evacuation in the oven installation area.

 Make sure that no objects or materials that may obstruct fume evacuation or become damaged by the temperature or fumes are placed above the smoke exhaust. Do not leave flammable materials near the smoke exhausts.

2) Evacuation through an efficient ventilation flue.

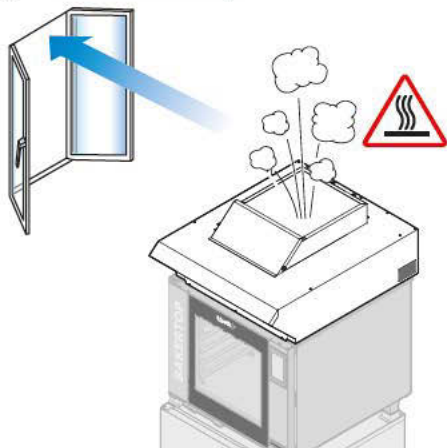
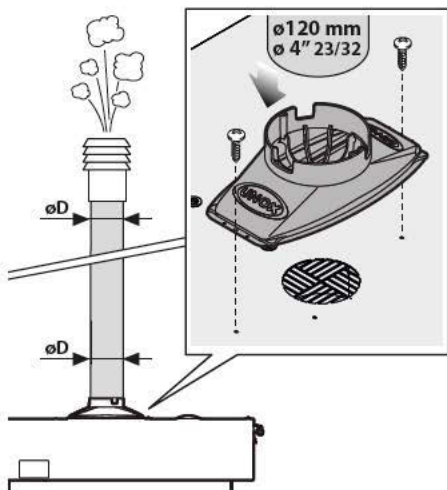
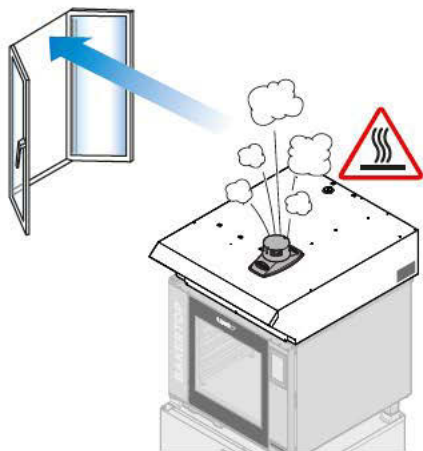
The UNOX smoke flue must be installed.

The flue must preferably have the same diameter ($\varnothing 12\text{cm}$) throughout the entire length of the oven's exhaust pipe connection;

 We recommend a flue cover be installed on top of the external end of the flue, to prevent rainwater from getting into the oven and to minimise pressure drops caused by the Venturi effect, which can occur during strong air currents.

3) Evacuation by activated charcoal filter (CF)

Hoods with a final CF code have the filter already installed. the activated charcoal filter can however be purchased separately



8 HOOD AND OVEN INTER-CONNECTION

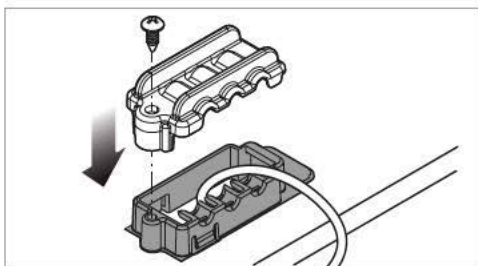
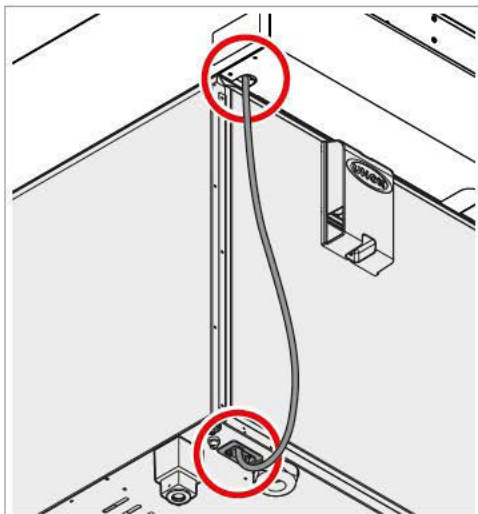
The hoods are designed to be connected to **CHEFTOP-BAKERTOP MIND.Maps™** ovens.

The accessories connect to the oven by means of ModBus connectors located on the back of the oven, which automatically connect.

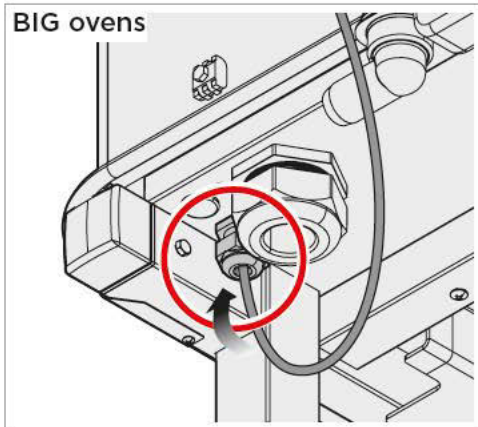
- 1 Disconnect all appliance from the electricity mains.
- 2 Remove the rear panel of the oven to access the power board.
- 3 Connect the RJ45 cable to one of the ModBus outlets corresponding to the power board.
- 4 Replace the rear panel of the ovens.
- 5 Reconnect all the appliances to the electricity mains.

+ Follow the instructions contained in the accessory packing for information on how to fully install and manage them.

! Connect the ModBus cables only to the relative ModBus connectors and not to the RJ45 Ethernet connectors.



BIG ovens



HOODS

Use



Before using the appliance:

- carefully read the section “Safety regulations for installation and maintenance” on page 4.

USE



Clean thoroughly at first oven use (see chapter “Routine maintenance” on page 34).

Operate the appliance at a room temperature between +5°C and +35°C.

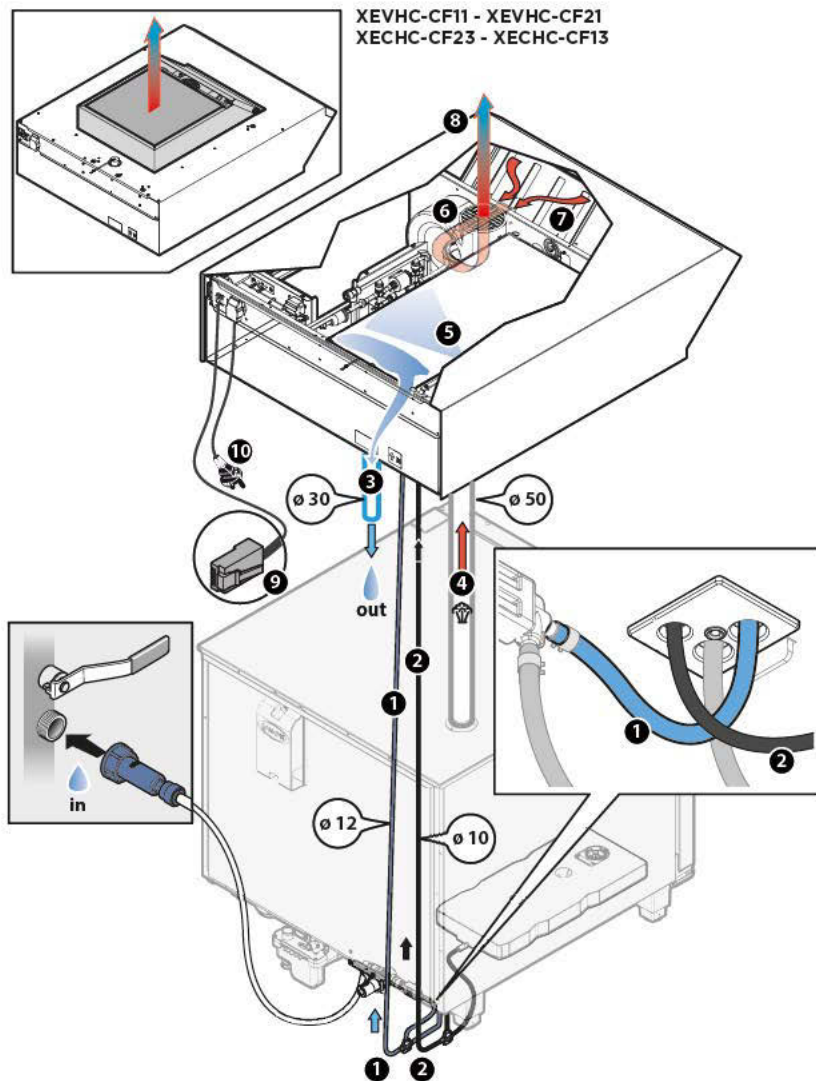
The appliances do not feature a control panel because they are automatically controlled by the oven to which they are connected via RJ45 cable 9.

During cooking (manual or scheduled), the hood automatically starts at minimum speed: cold water is loaded 1 and the condensing system, 5 which reduces the fumes coming from the underlying oven flues, starts 4. The mitigated smoke is evacuated in liquid form via a pipe on the back of the appliances 3.

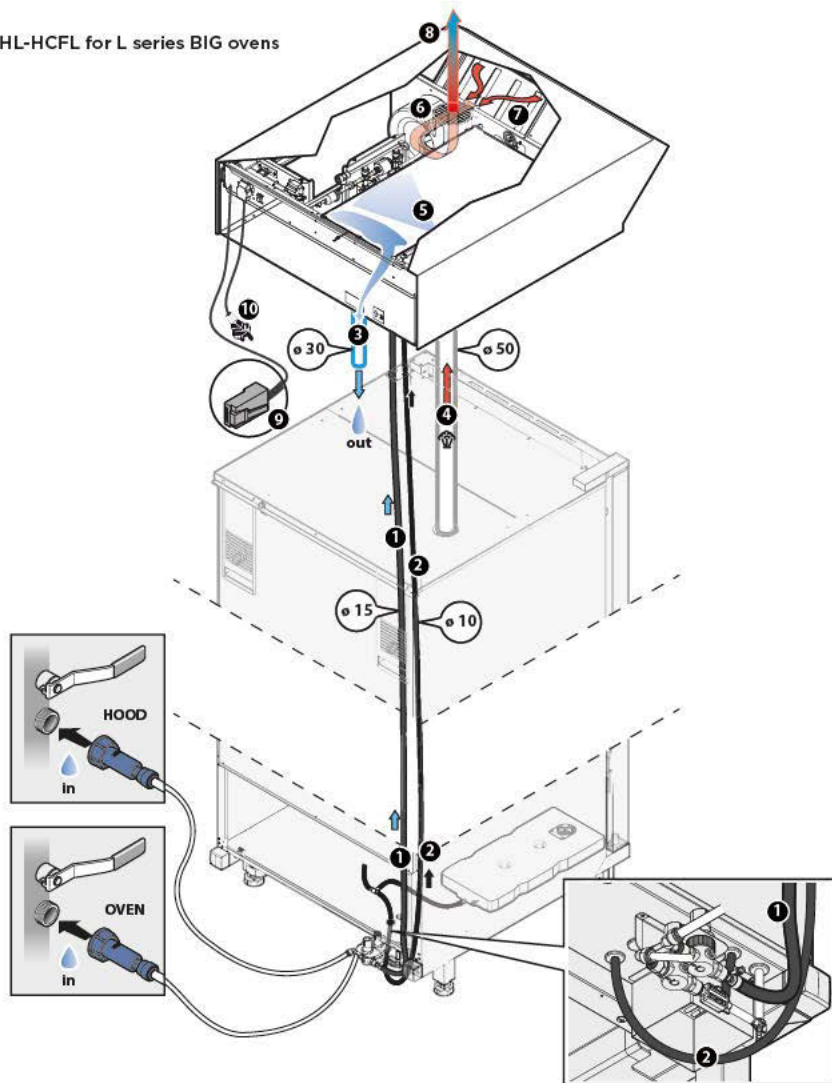
The hood speed increases when the oven door is opened in order to aspirate frontal smoke that escapes from the oven door 7.

Use the **UNOX.Det&Rinse** 2 detergent to ensure perfect cleaning of the condenser.

XEVHC-CF11 - XEVHC-CF21
 XEHC-CF23 - XEHC-CF13



- 1 cold water supply thermically controlled by a temperature sensor
- 2 **UNOX.Det&Rinse** detergent supply
- 3 residual water discharge
- 4 cavity moisture released from flues of ovens below
- 5 vapour condenser
- 6 2-speed aspiration motor
- 7 cavity moisture released from open door
- 8 exiting cold air
- 9 RJ45 cable: connects the hood to the oven
- 10 plug for connection to the electricity mains



- 1 cold water supply thermically controlled by a temperature sensor
- 2 **UNOX.Det&Rinse**detergent supply
- 3 residual water discharge
- 4 cavity moisture released from flues of ovens below
- 5 vapour condenser
- 6 2-speed aspiration motor
- 7 cavity moisture released from open door
- 8 exiting cold air
- 9 RJ45 cable: connects the hood to the oven
- 10 plug for connection to the electricity mains

HOODS

Maintenance

ROUTINE MAINTENANCE

! Any routine maintenance procedure must be performed:

- after disconnecting the appliance from the power and water supplies
- after having put on the proper personal protection equipment (i.e. gloves, etc...).

Do NOT clean using:

- abrasive or powder detergents;
- aggressive or corrosive detergents (i.e. hydrochloric/muriatic or sulphuric acid).
- abrasive or sharp tools (i.e. abrasive sponges, scrapers, steel bristled brushes, etc...);
- water spray.

External steel surfaces

Wait for the surfaces to cool off.

Use only a soft cleaning cloth dampened with a little soap and water. Rinse and dry completely. In alternative, only use detergents recommended by UNOX; other products may cause damage thereby invalidating the guarantee*. Read the instructions provided by the detergent producer for their use.




*Please visit the Warranty section of the Unox Web site (www.unox.com) for further details

External front filters

Wait for the filters to cool off.


The front filters must be removed from time to time as shown in the figure and washed with soapy water or in the dishwasher.

Make sure that they are completely dry before re-mounting them.

 Never use the hood without front filters!

Internal vapour condenser

The internal condenser is automatically washed at the end of each oven washing without the need for operator intervention.

 Before each washing make sure that the detergent tank (located under an oven) is not empty.

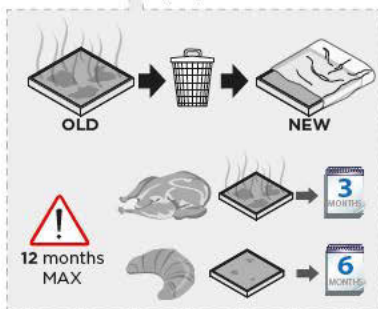
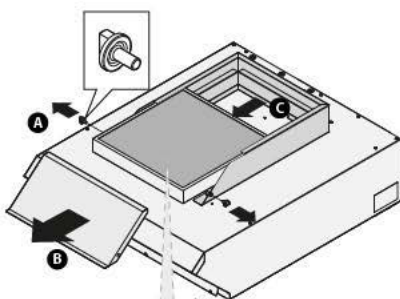
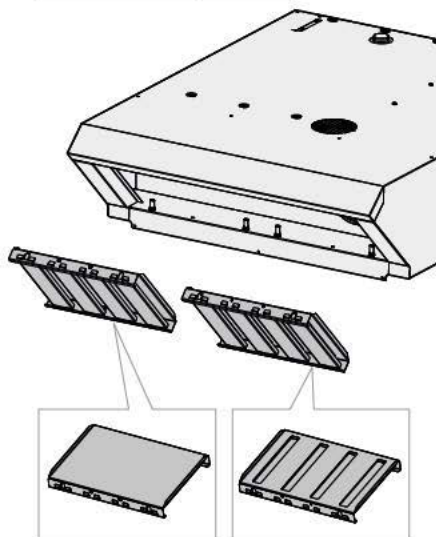
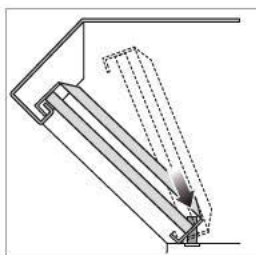
We recommend using only **UNOX. Det&Rinse** detergent by UNOX.

UNOX. Det&Rinse is the UNOX solution that offers both detergent and rinse aid in a single product, otherwise sold separately. The working principle of **UNOX. Det&Rinse** combines the degreasing action of detergents and the power of rinse aid to obtain the best results during oven washing and rinsing.

Activated charcoal filter replacement

The instructions to replace the filter are given for CF hoods supplied with activated charcoal filters, such as:

XEVHC-CF11
XEVHC-CF21
XECHC-CF13
XECHC-CF23



INACTIVITY

Follow the precautions below during inactivity:

- disconnect the appliance from the power and water supplies;
- we recommend rubbing a soft cloth lightly doused with mineral oil on all stainless steel surfaces;

At first reuse:

- clean the appliance and its accessories thoroughly (see chapter "**Routine maintenance**" on page 34);
- connect the appliance to its power and water supplies;
- inspect the appliance before using it;



To ensure that the appliance is in perfect use and in a safe condition, maintenance and inspections should be performed yearly by an authorised customer agent service.

DISPOSAL

Pursuant to article 13 of Legislative Decree 49 of 2014 "Implementation of the WEEE Directive 2012/19/EU on electrical and electronic equipment waste",



The barred symbol of the rubbish bin specifies that the product was placed on the market after August 13, 2005 and that at the end of its useful life it should not be treated as other waste, but must be collected separately.

All appliances are made with recyclable metallic materials (stainless steel, iron, aluminium, galvanized steel, copper, etc.) in percentages higher than 90% by weight.

Make the appliance ready for disposal by removing the power cable and any compartment or cavity closure latch (where present). At the end of its useful life, this product must be managed in a way that reduces the negative impacts on the environment and improves the effectiveness of use of resources by applying the "the polluter pays", prevention, preparation for reuse, recycling and recovery principles. Please remember that illegal or incorrect disposal of the product leads to the application of the penalties provided by current legal provisions.

Information on disposal in Italy

In Italy, WEEE appliances must be delivered:

- to Collection Centres (also known as ecological islands or ecological platforms)
- to the dealer from whom new appliances are purchased, who is required to collect them free of charge ("one against one" collection);

Information on disposal in countries of the European Union

The EU Directive on WEEE appliances has been implemented differently by each country. Therefore, if you want to dispose of this appliance, we recommend you contact your local authorities or dealer to get information on the correct disposal method.

CERTIFICATION

EU declaration of conformity for electrical and gas appliances

Manufacturer: UNOX S.p.A.

Address: Via Majorana, 22 - 35010 Cadoneghe, Padua, Italy

Declares, under its own responsibility, that the products:

XECHC-HC13

XECHC-HC23

XEVHC-HC11

XEBHC-HCEU

XEAHC-HCFL

XEVHC-HC21

XEVHC-CF11

XEVHC-CF21

XECHC-CF13

XECHC-CF23

XEAHL-HCFL

comply with Machinery Directive 2006/42/EC that is compliant with the following standards:

EN 60335-1: 2014 +A11:2014

EN 60335-2-99: 2003

EN62233: 2008

comply with EM Compatibility Directive 2014/30/EC through the following standards:

EN 55014-1: 2006 + A1: 2009 + A2: 2011

EN 55014-2: 1997 + A1: 2001 + A2: 2008

EN 61000-3-2: 2006 + A1: 2009 + A2: 2009

EN 61000-3-3: 2008

EN 61000-3-11: 2000

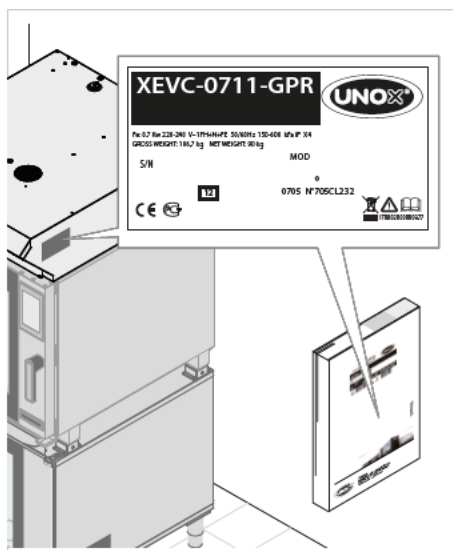
EN 61000-3-12: 2011

EN 61000-6-2: 2005

EN 61000-6-3: 2007

AFTER-SALES ASSISTANCE

In case of any malfunctions, disconnect the appliance from its power and water supply. Consult the solutions proposed in the table.



If the solution is not listed in the table, contact a UNOX authorized technical customer service. Provide the following information:

- the date of purchase;
- the appliance data on the serial plate;
- any alarm messages that are shown on the display of the oven connected to the hood.

Manufacturer's information:

UNOX S.p.A.
Via Majorana, 22
35010 Cadoneghe (PD) Italy
Tel +39 049 86.57.511
Fax +39 049 86.57.555
info@unox.com www.unox.com

Malfunction	Possible cause	Problem solution
The hood cannot be engaged when a cooking cycle is started.	The hood is not connected to the power supply.	Connect the hood to the power supply.
	The hood was not connected to the oven vis RJ45 cable during installation.	Contact the Customer Assistance Service
	The RJ45 cable that connects the oven to the hood is disconnected or damaged.	
	The hood motor is faulty.	
	The motor starter capacitor is faulty.	
	The hood P.C.B. is damaged.	
	The oven P.C.B. is damaged.	
The hood does not achieve maximum speed when the oven door is opened.	The RJ45 cable is disconnected or damaged.	Contact the Customer Assistance Service
	The hood motor is faulty.	
	The hood P.C.B. is damaged.	
	The oven P.C.B. is damaged.	
	The oven P.C.B. is damaged.	
	Door switch faulty.	

Malfunction	Possible cause	Problem solution
The water condensation system is faulty.	Water inlet closed.	Open water inlet.
	Plumbing has not been done correctly.	Make sure the appliance is connected to the water supply.
	The water intake filter is clogged by impurities.	Clean the filter.
	The water intake solenoid is damaged.	Contact the Customer Assistance Service
	The temperature sensor is damaged.	
	The hood P.C.B. is damaged.	



INTERNATIONAL

UNOX S.p.A.

Via Majorana 22 / 35010 Cadoneghe (PD) Italy
Tel +39 049 8657511 / Fax +39 049 8657555

info@unox.com



INVENTIVE SIMPLIFICATION

EUROPE

ITALIA

UNOX S.p.A.
E-mail: info@unox.it
Tel.: +39 049 86 57 511

ČESKÁ REPUBLIKA
UNOX DISTRIBUTION s.r.o.
E-mail: info.cz@unox.com
Tel.: +420 241 940 000

РОССИЯ, ПРИБАЛТИКА И СТРАНЫ СНГ
UNOX РОССИЯ
E-mail: info.ru@unox.com
Tel.: +7 (499) 702-00-14

ESPAÑA
UNOX PROFESIONAL ESPAÑA S.L.
E-mail: info.es@unox.com
Tel.: +34 900 82 89 43

SCANDINAVIAN COUNTRIES
UNOX SCANDINAVIA AB
E-mail: info.se@unox.com
Tel.: +46 (0)768 716 422

UNITED KINGDOM
UNOX UK Ltd.
E-mail: info@unoxuk.com
Tel.: +44 1252 851 522

PORTUGAL
UNOX PORTUGAL
E-mail: info.pt@unox.com
Tel.: +351 918 228 787

DEUTSCHLAND

UNOX DEUTSCHLAND GmbH
E-mail: info.de@unox.com
Tel.: +49 2951 98760

FRANCE, BELGIUM & LUXEMBOURG
UNOX FRANCE s.a.s.
E-mail: info@unox.fr
Tel.: +33 4 78 17 35 39

ÖSTERREICH
UNOX ÖSTERREICH GmbH
E-mail: bestellung@unox.com
Tel.: +43 800 880 963

HRVATSKA
UNOX CROATIA
E-mail: naru.dzbe@unox.com
Tel.: +39 049 86 57 538

TÜRKİYE

UNOX TURKEY Profesyonel MutfaK Ekip-
manları Endüstri ve Ticaret Limited Şirketi
E-mail: info.tr@unox.com
Tel.: +90 530 176 62 03

IRELAND
UNOX IRELAND
E-mail: info.ie@unox.com
Tel.: +353 (0) 87 32 23 218

БЪЛГАРИЯ
UNOX BULGARIA
E-mail: info.bg@unox.com
Tel.: +359 88 23 13 378

ASIA & AFRICA

MALAYSIA & SINGAPORE
UNOX (ASIA) SDN. BHD
E-mail: info.asia@unox.com
Tel.: +603-58797700

OTHER ASIAN COUNTRIES
UNOX (ASIA) SDN. BHD
E-mail: info.asia@unox.com
Tel.: +603-58797700

PHILIPPINES
UNOX PHILIPPINES
E-mail: info.asia@unox.com
Tel.: +63 9173108084

대한민국
UNOX KOREA CO. Ltd.
이메일: info.asia@unox.com
전화: +82 2 69410351

AMERICA & OCEANIA

U.S.A. & CANADA
UNOX Inc.
E-mail: info.usa@unox.com
Tel.: +1 800 489 8669

MEXICO
UNOX MEXICO, S. DE R.L. DE C.V.
E-mail: info.mx@unox.com
Tel.: +52 1555 4314 180

BRAZIL
UNOX BRAZIL
E-mail: info.br@unox.com
Tel.: +55 11 98717-8201

U.A.E.
UNOX MIDDLE EAST DMCC
E-mail: info.uae@unox.com
Tel.: +971 52 304 3321

SOUTH AFRICA
UNOX SOUTH AFRICA
E-mail: info.sa@unox.com
Tel.: +27 845 05 52 35

INDONESIA
UNOX INDONESIA
E-mail: info.asia@unox.com
Tel.: +62 81908852999

中华人民共和国
UNOX TRADING (SHANGHAI) CO. Ltd.
电子邮件: info.china@unox.com
电话: +86 21 56907696

COLOMBIA
UNOX COLOMBIA
E-mail: info.co@unox.com
Tel.: +57 350 65 88 204

AUSTRALIA
UNOX AUSTRALIA PTY Ltd.
E-mail: info@unoxaustralia.com.au
Tel.: +61 3 9876 0803

NEW ZEALAND
UNOX NEW ZEALAND Ltd.
E-mail: info@unox.co.nz
Tel.: +64 (0) 800 76 0803

LI2446A6.D00-LDI-01 - Printed: 02-2021
All images used are for illustrative purposes only.
All features indicated in this catalogue may be subject to change and could be updated without notice.

UNOX.COM | FOLLOW US ON

