



ELEVATING YOUR PASSION, SINCE 1898.

## DOMINA SERIES

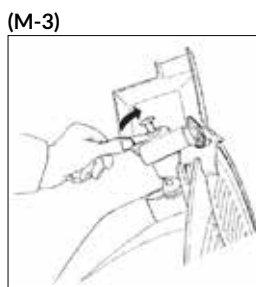
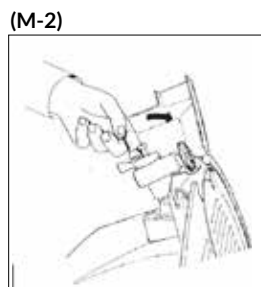
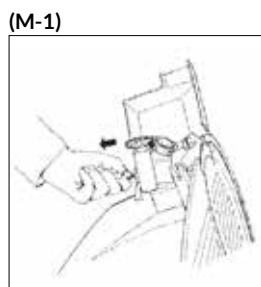
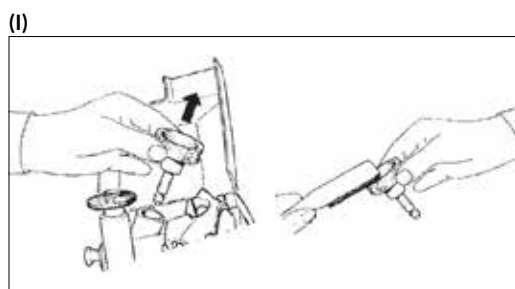
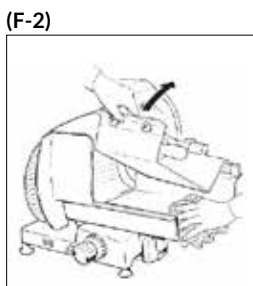
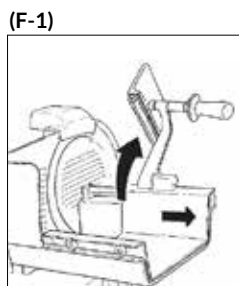
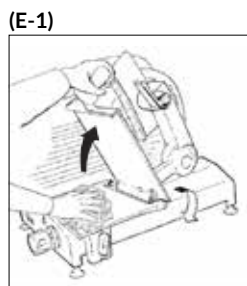
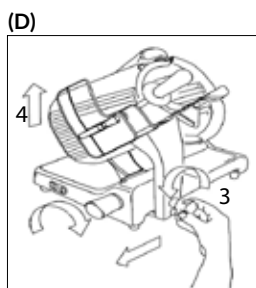
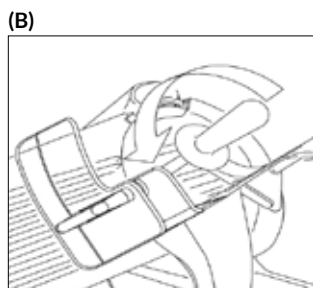
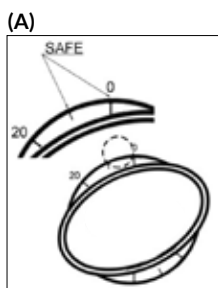
---

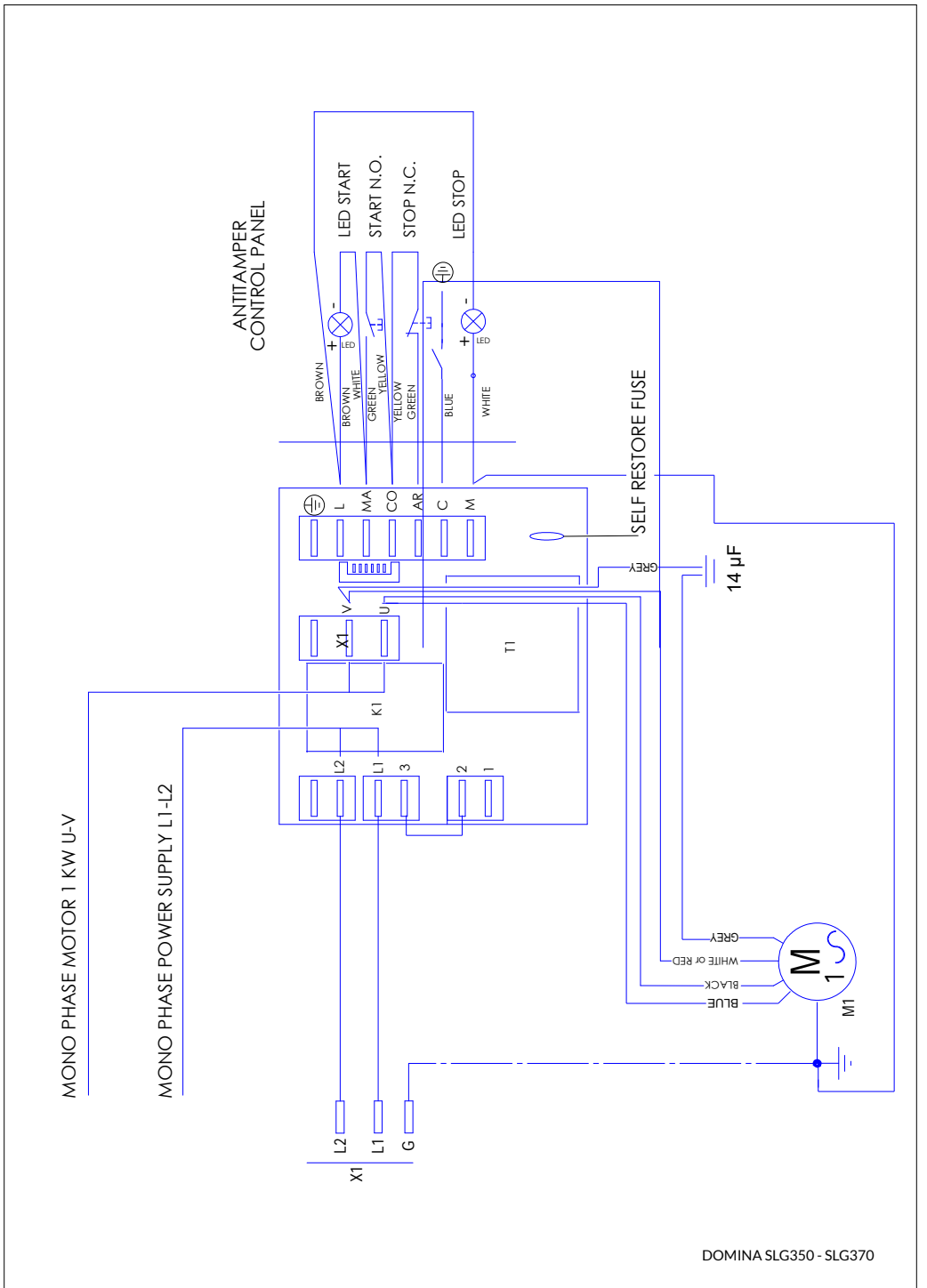
SLG 315 - 350 - 370

SLL 315 - 350 - 370

SLH 315 - 350 - 370

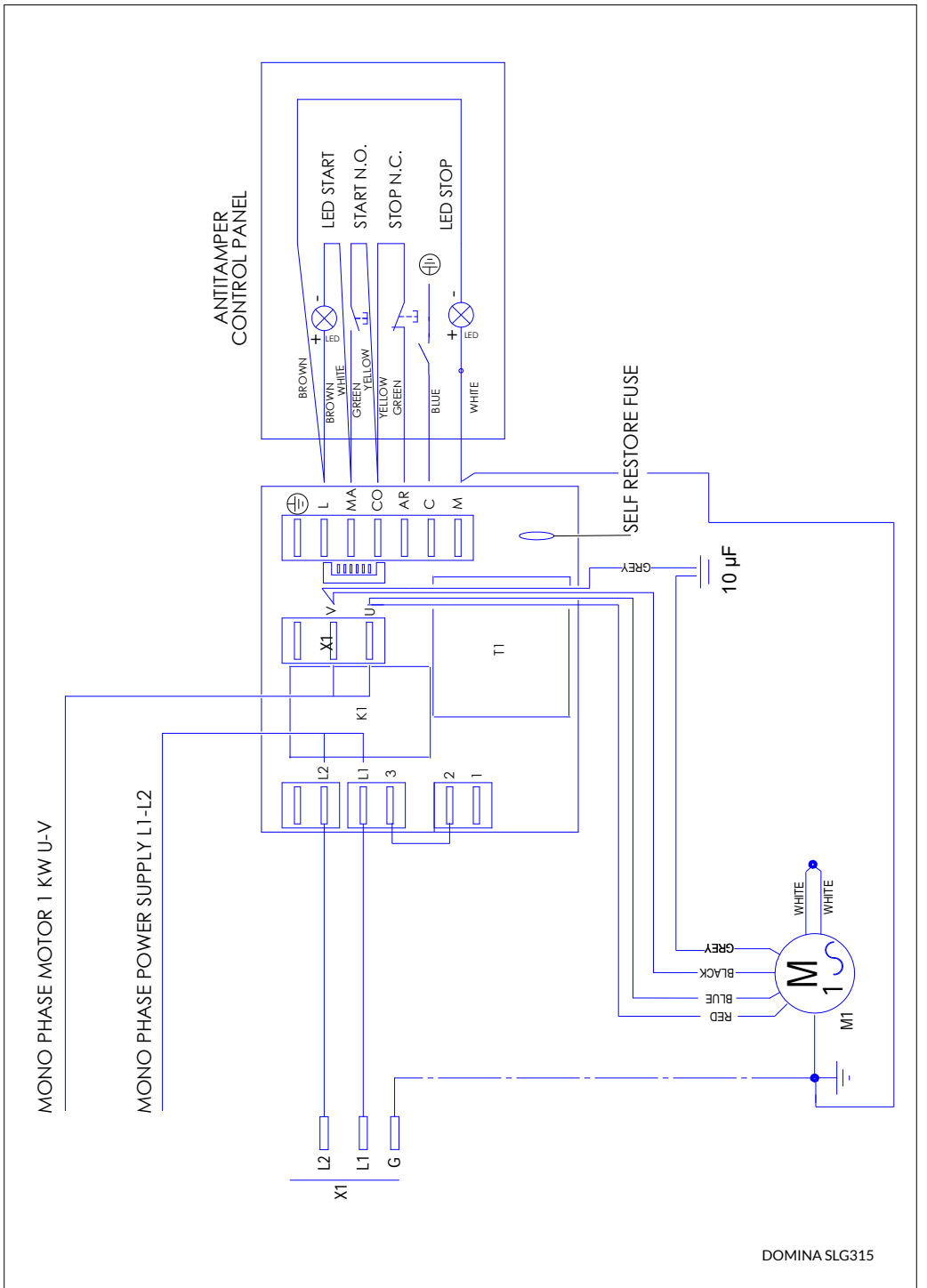
<b>EN</b>	USER MANUAL	<b>ES</b>	MANUAL DEL USUARIO
<b>IT</b>	MANUALE D'USO	<b>NL</b>	HANDLEIDING
<b>DE</b>	GEBRAUCHSANLEITUNG	<b>NO</b>	BRUKSANVISNING
<b>FR</b>	MANUEL D'INSTRUCTIONS	<b>PT</b>	MANUAL DE INSTRUÇÕES
<b>CS</b>	NÁVOD K POUŽITÍ	<b>RO</b>	MANUAL DE INSTRUCTIUNI
<b>DA</b>	BETJENINGSVEJLEDNING	<b>SV</b>	BRUKSANVISNING





DOMINA SLG350 - SLG370

Fig. 1 - Abb. 1 - Obr. 1 - Afb. 1 - Bild 1



DOMINA SLG315

Fig. 1 - Abb. 1 - Obr. 1 - Afb. 1 - Bild 1



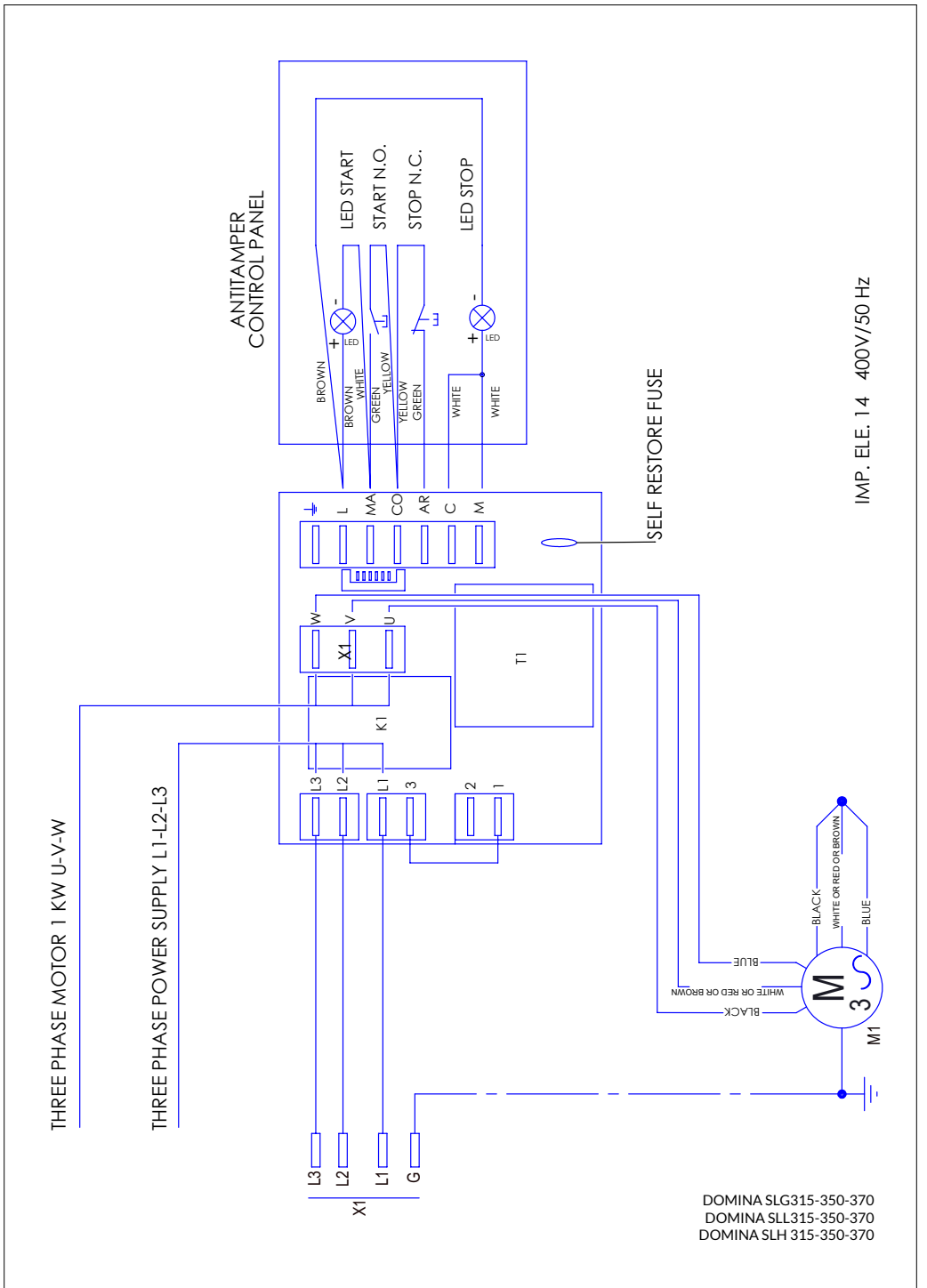


Fig. 1 - Abb. 1 - Obr. 1 - Afb. 1 - Bild 1

## SLL 315 - 350 - 370

MAIN  
COMPONENTS

1. Start button
2. Stop button
3. Slice thickness regulating knob
4. Foot
5. Handle for plate pushing
6. Carriage
7. Plate locking knob
8. Meat table
9. Sliding overplate
10. Top clamp
11. Blade cover (blade cover)
12. Sharpener
14. Thickness gauge plate
15. Casing
17. Lubricating point for guide bars
18. Blade
19. Blade cover tension rod
20. Slice deflector
21. Blade guard ring

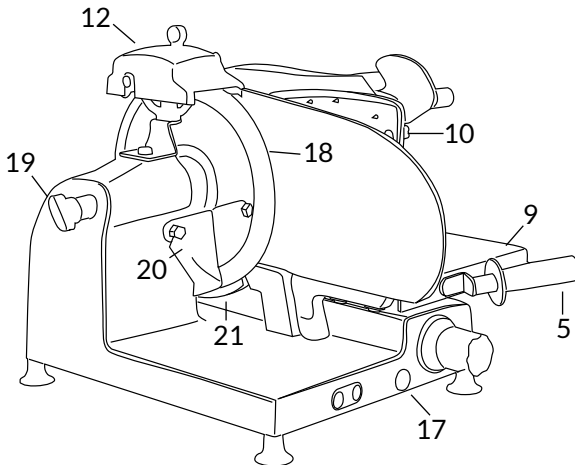
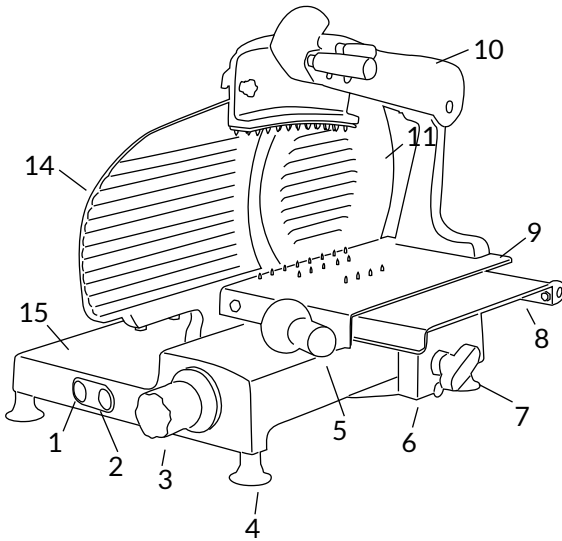
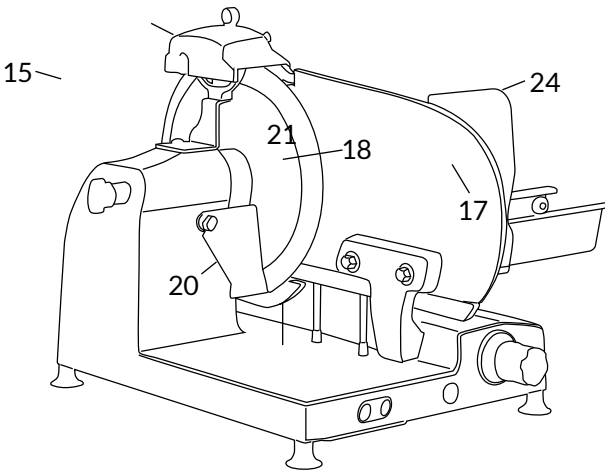
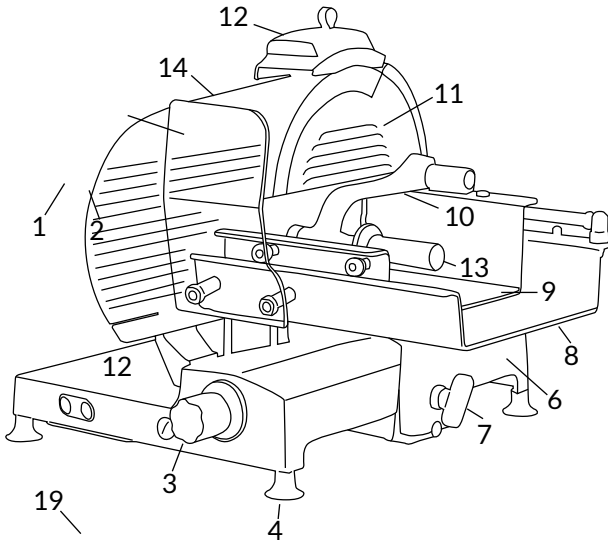


Fig. 2

**SLH 315 - 350 - 370**

**MAIN COMPONENTS**

- 1. Start button
- 2. Stop button
- 3. Slice thickness regulating knob
- 4. Foot
- 6. Carriage
- 7. Plate locking knob
- 8. Meat table
- 9. Sliding overplate
- 10. Top clamp
- 11. Blade cover (blade cover)
- 12. Sharpener
- 13. Product holder handle
- 14. Thickness gauge plate
- 15. Casing
- 17. Lubricating point for guide bars
- 18. Blade
- 19. Blade cover tension rod
- 20. Slice deflector
- 21. Blade guard ring
- 24. Meat table safety guard



**Fig. 2**



## SLG 315 - 350 - 370

### MAIN COMPONENTS

1. Start button
2. Stop button
3. Slice thickness regulating knob
4. Foot
5. Handle for plate pushing
6. Carriage
7. Plate locking knob
8. Meat table
10. Top clamp
11. Blade cover (blade cover)
12. Sharpener
13. Product holder handle
14. Thickness gauge plate
15. Casing
16. Identification plate, technical data and CE marking
17. Lubricating point for guide bars
18. Blade
19. Blade cover tension rod
20. Slice deflector
21. Blade guard ring
23. Power cord
24. Meat table safety guard

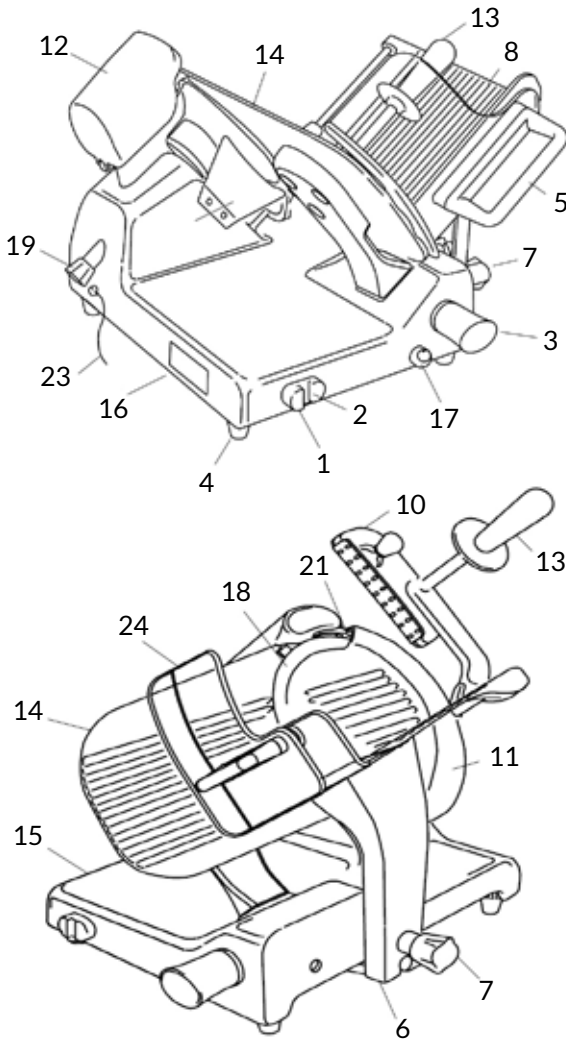


Fig. 2

## DESCRIPTION

---

Circular blade professional slicer machine suitable for cutting only the food products of the types and within the dimensional limits indicated in this manual. The main parts of the machine are shown in the general component diagram reported in picture 2. Electrical diagrams are reported in picture 1.

## DECLARATION OF CONFORMITY

---

The machines described in this manual comply with Directives 2006/42/CE, 2006/95/CE, 2004/108/CE, 2003/108/CE, 2011/65/CE, Regulation (EC) 1935/2004 and related harmonized standards as EN 1974:1998 +A1, EN60204-1, EN60335-1, EN60335-2-64.



## SAFETY

---

Pay attention to the following basic safety precautions:

- read all the instructions before using the machine;
- this product is not intended to be used by children;
- operate the machine only if properly trained and in perfect psycho-physical conditions;
- do not use the machine in any way other than what indicated in this manual;
- use the machines only in full structural, mechanical and system efficiency;
- install the machine in conformity to the instructions indicated in the "Installation" section;
- install the machine in a location out of the reach of person-

nel unauthorized to operate it and especially out of the reach of minors;

- stay highly concentrated when using the machine and avoid any distraction during use;
- do not allow the machine to be used by others who have not read and fully understood the content of this manual;
- do not wear baggy clothing or clothing with open sleeves;
- do not allow anyone else, other than the operator, to approach during product cutting operations;
- do not remove, cover or modify the tags located on the machine body and, in case of damage of these, replace them promptly;
- do not remove the transparent guards and do not modify or bypass any mechanical and electrical protective devices;
- slice only the permitted products, do not attempt cuts on prohibited type products;
- always keep clean and dry the sliced product resting surface, the work area all around the machine and the operator floor area;
- do not use the machine as a resting surface and do not place any objects on it other than food used for cutting operations;
- do not use the slicer when, due to normal wear, the distance between the edge of the blade and the blade guard ring exceeds 6 mm. In this case, contact the manufacturer or to one of the Authorized Service Centers to change the blade;
- do not use the machine with temporary or non-insulated cables, power strips or extension cords;
- periodically check the condi-

tion of the power supply cord on the machine body. When necessary, have qualified personnel replacing it;

- immediately stop the machine in the event of a defect, abnormal operation, suspicion of breakdown, incorrect movement, unusual noises;
- before cleaning or carrying out maintenance, disconnect the machine from the electrical supply;
- use protective gloves for cleaning and maintenance operations;
- place and remove the goods to be sliced on the sliding plate only with the carriage completely pulled back and with the thickness adjustment knob placed in the safety position (on the 0 position);
- for movement of the meat table during cutting operations use only the handle located on the arm or the product presser grip;
- never put your hands on the food product while slicing. Always keep your hands behind the protection devices and far from the blade;
- use of cutting accessories which were not provided by the manufacturer with the machine is prohibited.

The manufacturer declines any responsibility coming from inappropriate use, modifications and/or repairs carried out by the user or unauthorized personnel, use of replacement parts that are not original or not specific for the machine model.

The machine shall not be used in open areas and/or areas which are exposed to atmospheric agents and in environments with vapors, fumes or corrosive and/or abrasive pow-

ders, with risk of fire or explosion and in any case where the use of antiexplosive components is required.

Operating conditions:

- Temperature from -5°C to +40°C
- Max. humidity 95%


DO NOT SLICE:

- frozen food products;
- food products with bones;
- vegetables;
- any other product not intended for food use.

## RESIDUAL RISKS

---


The safety ring around the blade is made in conformity to European standards EN 1974:1998 +A1 but, in order to allow the sharpening operations, the protection in the sharpening area may not entirely eliminate the risk of cutting.

 **WARNING! Risk of injury from sharp blade! During the blade cleaning and sharpening operations, pay extra attention to keep your hands as far as possible from the unprotected area. Use of protective gloves is recommended.**

## INSTALLATION OF THE MACHINE

---


Install the machine at a maximum height of 90 cm, on a flat, smooth and dry surface suitable for supporting the weight of the machine itself plus the products to be sliced.

 **WARNING:** Verify that there are no obstacles to the meat table travel and to the loading of products.

The machine must be installed in the immediate vicinity of an EEC standard outlet connected to an electrical supply system which is in conformity with the prevailing regulations for:

- magneto-thermic protection;
- automatic differential switch;
- earthing system.

Before carrying out electrical hook up verify that the characteristics of the electrical power supply is in accordance with those indicated on the machine information plate.

 **WARNING!** For machines with 3-phase motor, check the blade orientation. Push the start button (1) to switch on the machine: looking at the blade from the operator side, the blade has to rotate downwardly (Fig. B).

## OPERATION

---

**WARNING!** Risk of injury from sharp blade! Check that the thickness adjustment knob (3) is in the safety position (on the 0 position) (Fig. A).

- Be sure that the machine is switched off, if not push the stop button (2);
- pull the meat table (8) all the way back (towards the operator) in the loading position;
- lift the product holder (10) into the standby position;
- Place the product to be sliced on the sliding meat table:
  - **SLL 315-350-370, SLH 315-350-370:** move the sliding meat table away from the thickness gauge plate. Set the product to be sliced on the plate near the table edge on the operator side;
  - **SLG 315-350-370:** set the product to be sliced on the

plate against the wall of the meat table, near the edge of the table on the operator side; lock using the product press holder, applying pressure; in the gravity version, the product will press against the plate from the force of its own weight;


- adjust the slice thickness with the special knob (3). Activate the blade (18) by pressing the start button (1). Grip the product holder handle (13) and start an alternative cutting motion;


- on gravity models, when the weight or size of the goods do not allow a proper cutting for reasons of gravity, use the product holder handgrip;
- at the end of the cutting operations return the thickness adjustment knob to the safety position and pull the meat table back. Stop the blade motion by pressing the stop button (2);
- move the sliding meat table away from the gauge plate and remove the product.

## CLEANING

---

Before using, clean the machine at least once a day - or more often if necessary - and always after a long period of inactivity.

 **WARNING! Risk of electric shock! Before cleaning, disconnect the plug from the electrical mains socket.**

 **WARNING!** Risk of injury from sharp blade! Check that the thickness adjustment knob (3) is in the safety position (on the 0 position) (Fig. A).

Products for cleaning:  
use only water and biodegradable mild detergent with PH

7-8, using a soft, spongy cloth and a semi-rigid nylon brush for the sharp areas of the plate and the product holder. Do not clean the machine with jets of water or steam or similar methods. DO NOT DISHWASH.

### **Cleaning the sliding meat tables models SLL 315-350-370, SLH 315-350-370**

- SLL 315-350-370: pull the sliding meat table to the end; a metallic click notifies the operator that the meat table is locked. Lift the meat table all the way up (Fig. E-1). Clean the sliding meat table and repeat operations in the reverse order to reposition the sliding meat table.


- SLH 315-350-370: loosen, rotating the product presser clamp on the meat table in the anticlockwise direction. Pull the sliding meat table to the end; a metallic click notifies the operator that the meat table is locked. Move the sliding meat table away from the thickness gauge plate and lift the product presser (Fig. F-1). Clean the sliding meat table and lower the product press holder. Lift the sliding meat plate and clean the meat table (Fig. F-2). Release the meat table, rotating the product presser clamp in the clockwise direction.


### **Removing the meat table (SLG 315 - 350 - 370)**

- with the regulating knob for slice thickness (3) in the safety position (Fig. A, Fig. D-1), pull back the plate support (6) all the way until the travel limit toward the operator (Fig. D-2); - fully rotate the locking knob in the anticlockwise direction (Fig. D-3) keeping the support at the travel limit, until the

safety locking device inter-venes on the gauge plate;

- remove the meat table from the top, sliding it off from the support.

 **WARNING!** Make sure that the product press holder is lowered on the table before removing the plate support.

 **WARNING!** Keep the regulating knob for slice thickness in the safety position "0".


### **Removing the product press holder (SLG 315 - 350 - 370)**

rotate the grip and remove the product press holder (Fig. G).

### **Removing the blade cover (11)**

- rotating in the anticlockwise direction, loosen the blade cover tension rod grip (19);

- press the tension rod grip and raise the blade cover to remove it.

 **WARNING!** Once the blade cover has been removed, an interlocking device stops the blade rotation.

### **Removing the slice deflector (20)**

For Gravity versions SLG 315 - 350 - 370: loosen the locking pin and rotate the slice deflector downward to remove it from the pin.

Loosen the fixing screw(s) and remove the slice deflector.

### **Sharpener (12)**

Clean the body with a damp cloth. Do not submerge in water.

Cleaning:

- the blade: press a damp cloth on the surface of the blade and move it slowly from the center toward the outside on the


blade cover side and the opposite side. In the same way dry it using a dry cloth. NEVER turn on the machine while cleaning the blade;

- the safety ring: use a soft brush to clean the area between the blade and the safety ring. Be careful NOT to put your hands close to the blade;

- the machine body: use a damp cloth or a sponge. Dry carefully;


- the sharpener: 1) clean the body with a damp cloth and the springs with a semi-rigid brush. 2) do not submerge the sharpener in water. The sharpening wheel can easily be removed from the sharpening unit, removing it in the direction of the arrow (Fig. I). Keep the wheel clean for correct sharpening.


Remove dirt and grease with alcohol and a semi-rigid nylon brush.

 **WARNING!** Clean all dismantled parts individually in lukewarm water and NON-AGGRESSIVE dishwasher detergent, using a bottle brush or cloth. Rinse in hot water and dry.

Proceed with assembly operations, following the directions described in reverse order.

## **REMOVING THE BLADE**

 **WARNING!** Use original devices only!

 **WARNING!** Danger of being cut! Use only after carefully reading the operating instructions supplied with the device.

If a blade removal device has been purchased, it is recommended that you follow the

relevant operating instructions provided with your device to remove the blade.

## MAINTENANCE

---

### Blade Sharpening


Frequency and duration of sharpening depend on the use of the equipment.

Before sharpening:

1. make sure that the machine is off;
2. position the thickness adjustment knob in the safety position;
3. set the regulating knob for slice thickness in the safety position;
4. pull the meat table all the way back.

For sharpening, follow the instruction:

- Lift the sharpening device guard cover. Pull the unlocking device grip (Fig. M-1) and rotate it in the direction of the blade (Fig. M-2). The sharpening device will lock in the correct position. Press the start button to start up the machine. Slightly rotate the lever, bringing the two wheels in contact with the blade for about 10-15 seconds (Fig. M-3). Sharpening and deburring occur simultaneously. Press the stop button and pull the device grip to move it back to the initial position. Lower the sharpening device guard cover.

 **WARNING!** The sharpening wheel can easily be removed from the sharpening unit, removing it in the direction of the arrow (Fig. I). Keep the wheel clean for correct sharpening. Remove dirt and grease with alcohol and a semi-rigid nylon brush.

### Lubrication

After a regular period of use, it may be necessary to lubricate the carriage guides. We recommend executing this operation every 1 month.

For lubrication, only use acid free oil (we recommend Vaseline oil). Do not use vegetable oil.


For lubricating, follow the instruction: 1) move the meat table towards the operator; 2) insert the oiler in the special hole and pour a small amount of oil; 3) remove the oiler and slide the carriage 3-4 times.

## SERVICE

---

No user-serviceable parts are inside. Refer servicing to qualified personnel. All the repair and replacement operations (like blade replacement, replacement of the motor belt, replacement of the sub-baseplate electrical system components, repair of structural parts, repair and/or re-placement of sub-baseplate components, or similar) shall be executed exclusively by personnel authorized by the manufacturer.

In the event service is needed, you may return your food slicer to the manufacturer or to one of the Authorized Service Centers. For information about service centers please contact us at: [service@berkelinternational.com](mailto:service@berkelinternational.com).

 **WARNING!** *The blade replacement is mandatory if distance between the edge of the blade and the internal edge of the guard exceeds 6 mm.*

## WARRANTY AND RESPONSIBILITY

---

The manufacturer supplies machines with a limited warranty of 24 months from the purchasing date. The warranty is extended only to defects that arise under intended use conditions and proper use. The warranty does not cover defects resulting from faults caused by transport, purchaser's incompetence or negligence, improper installation or earthing, unauthorised interventions, natural wear and tear, voltage variations greater than 10% of the nominal value. Moreover, the warranty does not cover components intrinsically subject to wear, such as blades and grinders, except in the event of evident manufacturing defects.

The manufacturer declines any direct and indirect responsibility coming from:

- failure to observe the instructions in this manual;
- use which does not conform to prevailing specific regulations in the country of installation;
- unauthorised modifications and/or repairs carried out on the machine;
- use of non original accessories and replacement parts;
- exceptional events.

Transfer of ownership of the machine automatically defaults the manufacturer's liability for the machine in question with the exception of observance of directive 2006/42/CE (liability for any manufacturing defects of the product).

The Identification tag on the base-plate indicates manufacturer, machine, technical information and CE marking.

## DEMOLITION OF THE SLICER

---

The machines are comprised of:

- aluminum/magnesium alloy structure;
- inserts and various components and stainless steel;
- electrical parts and electrical cables;
- electric motor;
- plastic material, etc.

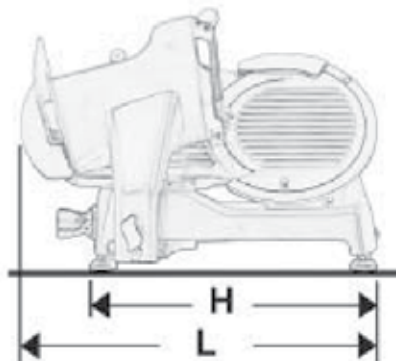
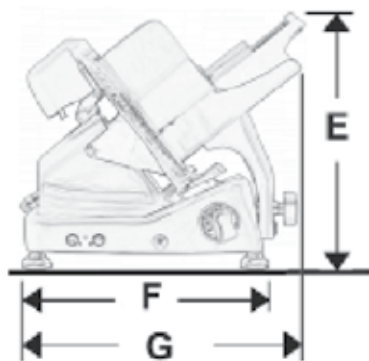
If dismantling and demolition are entrusted to third parties, use only companies authorized for disposal of the above-mentioned materials.

The appliance complies with the EU Directive 2012/19/UE. Packaging materials and appliances contain recyclable materials. Your appliance contains valuable materials that can be recovered or can be recyclable. Separation of the remaining waste materials into different types facilitates the recycling of valuable raw materials. Leave the appliances at a collection point. You can obtain information on disposal from your local authorities.

## Troubleshooting

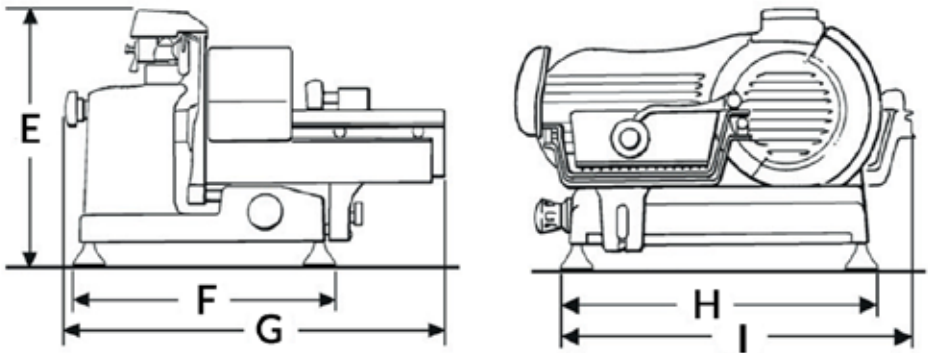
PROBLEM	REASON	REMEDY
The machine does not start when the on button is pressed	Lack of power or defective control circuit	Check that the plug has been correctly inserted. If the machine still does not start, contact the service center
The machine starts when the on button is pressed but the operation indicator light does not turn on	The indicator light may be defective	Do not use the machine with the indicator light off. Contact the service center
Excessive resistance to cutting of the product	The blade is dull	Sharpen the blade
The blade slows down or stops while cutting the product	The drive belt may be loose or damaged	Contact the service center in order to tension or replace the belt
The machine does not stop when the stop button is pressed	The control circuit may be defective	Immediately stop the machine, removing the plug from the mains outlet. Contact the service center
Excessive resistance in motion of the sliding components (product holder, carriage)	The lubrication of the sliding guide may not be sufficient	Carry out periodical lubrication as described in this manual

SLG 315 - 350 - 370



MODEL	SLG315	SLG350	SLG370
E	500 mm	540 mm	540 mm
F	420 mm	490 mm	490 mm
G	740 mm	800 mm	800 mm
H	525 mm	615 mm	615 mm
L	750 mm	800 mm	890 mm
SPECIFICATIONS			
ø Blade	315 mm	350 mm	370 mm
Cut thickness	0 -14	0 -14	0 -14
Net weight	32 kg	44 kg	49 kg
Cutting capacity (rect.)	255x160h	300x195h	300x210h
Cutting capacity (circ.)	205 mm	250 mm	265 mm
Motor rating	0,25   0,30 kW	0,30   0,35 kW	0,30   0,35 kW
Specification electrical	230/50/1 - 400/50/3 V - Hz		

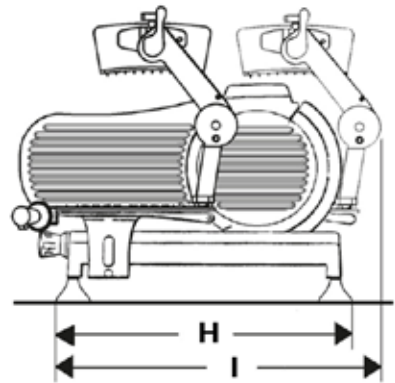
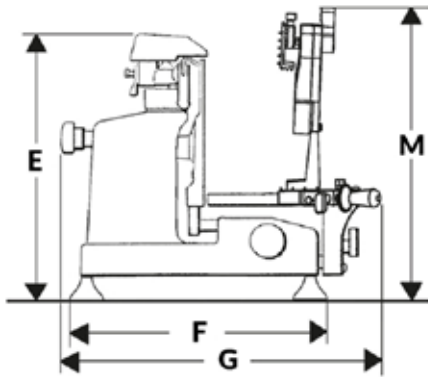
SLH 315 - 350 - 370



MODEL	SLH315	SLH350	SLH370
E	515 mm	550 mm	560 mm
F	450 mm	460 mm	530 mm
G	650 mm	710 mm	800 mm
H	560 mm	570 mm	640 mm
I	670 mm	670 mm	750 mm
SPECIFICATIONS			
ø Blade	315 mm	350 mm	370 mm
Cut thickness	0 -24	0 -24	0 -24
Net weight	38 kg	45 kg	56 kg
Cutting capacity (rect.)	270x225h	320x270h	370x260h
Cutting capacity (circ.)	225 mm	270 mm	260 mm
Motor rating	0,30   0,35 kW	0,30   0,35 kW	0,30   0,35 kW
Specification electrical	120/60/1 - 220/60/1 - 230/50/1 - 400/50/3 V - Hz	120/60/1 - 220/60/1 - 400/50/3 V - Hz	120/60/1 - 230/50/1 - 400/50/3 V - Hz



SLL 315 - 350 - 370



MODEL	SLL315	SLL350	SLL370
E	510 mm	550 mm	560 mm
F	450 mm	450 mm	530 mm
G	640 mm	670 mm	720 mm
H	560 mm	590 mm	640 mm
I	650 mm	710 mm	800 mm
M	670 mm	680 mm	670 mm
SPECIFICATIONS			
∅ Blade	315 mm	350 mm	370 mm
Cut thickness	0 -14	0 -14	0 -14
Net weight	40 kg	45 kg	56 kg
Cutting capacity (rect.)	290x225h	320x270h	350x280h
Cutting capacity (circ.)	225 mm	270 mm	280 mm
Motor rating	0,30   0,35 kW	0,30   0,35 kW	0,30   0,35 kW
Specification electrical	120/60/1 V - Hz   220/60/1 V - Hz   230/50/1 V - Hz   400/50/3 V - Hz		

Note: As we actually strive to improve our products, specifications are necessarily subject to change without notice.

## SLL 315 - 350 - 370

COMPONENTI  
PRINCIPALI

1. Pulsante di avviamento
2. Pulsante di arresto
3. Manopola regolazione spessore fetta
4. Piedino
5. Maniglia spingipiatto
6. Supporto piatto
7. Manopola bloccaggio piatto
8. Piatto portamerce
9. Soprappiatto scorrevole
10. Pressamerce
11. Coprilama (paralama)
12. Affilatoio
14. Piastra spessimetro (vela)
15. Basamento
17. Oliatore lubrificazione guide
18. Lama
19. Tirante coprilama
20. Parafetta
21. Anello di sicurezza

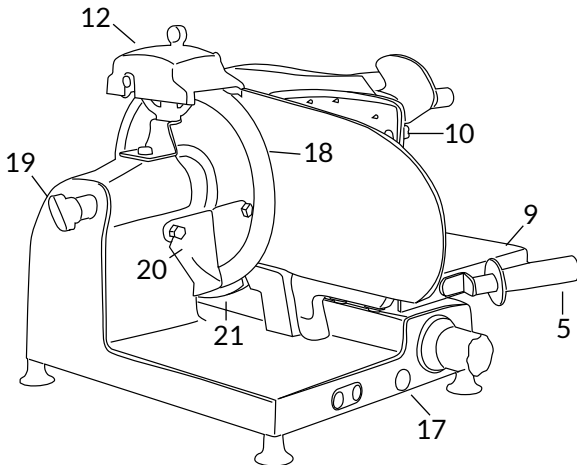
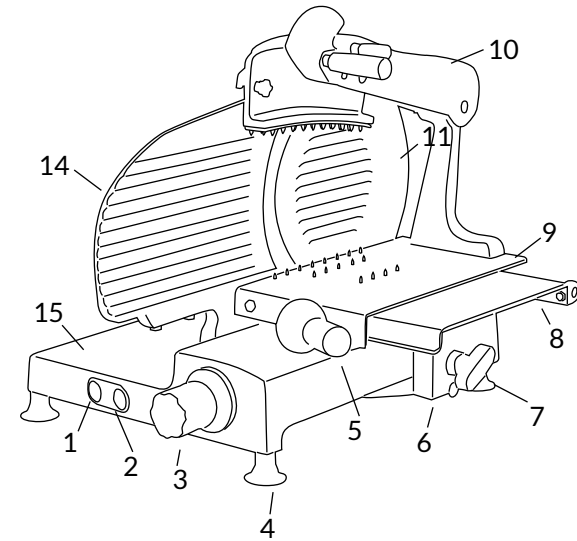
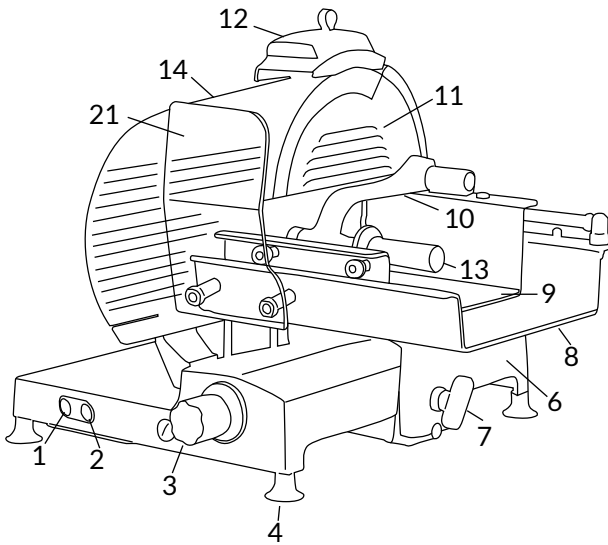


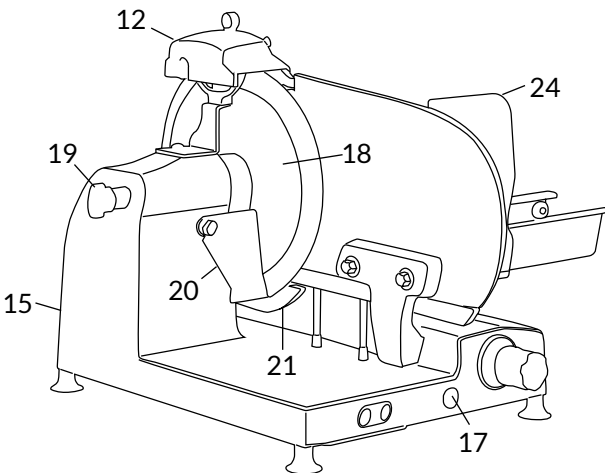
Fig. 2



**SLH 315 - 350 - 370**

**COMPONENTI  
PRINCIPALI**

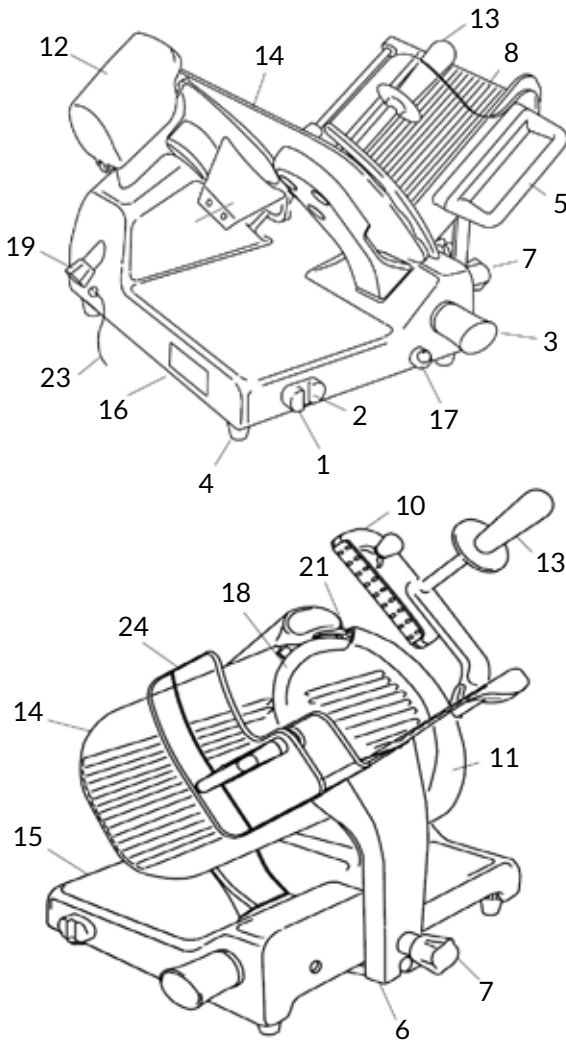
1. Pulsante di avviamento
2. Pulsante di arresto
3. Manopola regolazione spessore fetta
4. Piedino
6. Supporto piatto
7. Manopola bloccaggio piatto
8. Piatto portamerce
9. Soprappiatto scorrevole
10. Pressamerce
11. Coprilama (paralama)
12. Affilatoio
13. Maniglia pressamerce
14. Piastra spessimetro (vela)
15. Basamento
17. Oliatore lubrificazione guide
18. Lama
19. Tirante coprilama
20. Parafetta
21. Anello di sicurezza
24. Protezione di sicurezza piatto



**Fig. 2**

## SLG 315 - 350 - 370

### COMPONENTI PRINCIPALI



1. Pulsante di avviamento
2. Pulsante di arresto
3. Manopola regolazione spessore fetta
4. Piedino
5. Maniglia spingipiatto
6. Supporto piatto
7. Manopola bloccaggio piatto
8. Piatto portamerce
10. Pressamerce
11. Coprilama (paralama)
12. Affilatoio
13. Maniglia pressamerce
14. Piastra spessimetro (vela)
15. Basamento
16. Targhetta di identificazione, dati tecnici e marcatura CE
17. Oliatore lubrificazione guide
18. Lama
19. Tirante coprilama
20. Parafetta
21. Anello di sicurezza
23. Cavo di alimentazione
24. Protezione di sicurezza piatto

## DESCRIZIONE

---

Macchine affettatrici professionali con lama circolare, progettate per affettare esclusivamente prodotti alimentari del tipo e nei limiti dimensionali indicati nel presente manuale. Le parti principali che compongono la macchina sono illustrate alla figura 2. Lo schema elettrico è riportato alla figura 1.

## DICHIARAZIONE DI CONFORMITÀ

---

Le macchine descritte in questo manuale sono conformi alle direttive 2006/42/CE, 2006/95/CE, 2004/108/CE, 2003/108/CE, 2011/65/CE, al regolamento europeo (EC) 1935/2004 ed ai relativi standard quali EN 1974:1998 +A1, EN60204-1, EN60335-1, EN60335-2-64.



## SICUREZZA

---

Per la vostra sicurezza, fate attenzione alle seguenti istruzioni:

- leggere attentamente tutte le istruzioni prima di usare la macchina;
- il prodotto non è indicato per l'utilizzo da parte dei bambini;
- utilizzare la macchina solo se propriamente istruiti e in perfetto stato psico-fisico;
- non usare la macchina in alcun modo differente da come indicato nel presente manuale;
- installare la macchina in conformità alle istruzioni riportate al paragrafo 'Installazione';
- usare la macchina solo in condizioni di perfetta efficienza strutturale, meccanica e di impianto;
- installare la macchina in luogo al di fuori della portata di

personale estraneo alle operazioni relative all'impiego e soprattutto di minori;

- utilizzare la macchina con grande concentrazione, non distrarsi durante l'uso;
- evitare l'uso da parte di personale che non abbia letto e compreso a fondo il contenuto del presente manuale;
- non indossare indumenti svolazzanti o con maniche aperte;
- non permettere ad alcuno, al di fuori dell'operatore, di avvicinarsi durante l'operazione di taglio del prodotto;
- non rimuovere, coprire o modificare le targhette collocate sul corpo macchina e, in caso di danneggiamento delle stesse, sostituirle prontamente;
- non rimuovere le protezioni trasparenti e non modificare o escludere le protezioni meccaniche ed elettriche;
- affettare unicamente i prodotti consentiti, non tentare prove di taglio con prodotti di tipo proibito;
- mantenere la zona di appoggio del prodotto affettato, la zona di lavoro tutt'intorno alla macchina e il piano pavimento operatore sempre puliti ed asciutti;
- non utilizzare la macchina come superficie d'appoggio e non appoggiarvi alcuno oggetto estraneo alle normali operazioni di taglio;
- non usare l'affettatrice quando, a seguito di normale usura, la distanza tra il filo della lama e l'anello para lama ha superato i 6 mm. In tal caso contattare il produttore o uno dei Centri Servizio Autorizzati per cambiare la lama;
- non impiegare la macchina con collegamenti elettrici di tipo 'volante', a mezzo di cavi provvisori o non isolati;

- controllare periodicamente lo stato del cavo di alimentazione e del pressacavo sul corpo macchina, sostituirlo prontamente. Quando necessario rivolgendosi per l'intervento a personale qualificato;
- arrestare immediatamente la macchina in caso di difetto, funzionamento anomalo, sospetto di rottura, movimenti non corretti, rumori insoliti;
- prima di eseguire la pulizia o di effettuare interventi di manutenzione scollegare la macchina dalla rete di alimentazione elettrica;
- utilizzare guanti protettivi per le operazioni di pulizia e di manutenzione;
- porre e rimuovere la merce da affettare sul piatto scorrevole solo con il carrello completamente arretrato e con la manopola regolazione spesso posizionata in sicurezza;
- per il movimento del piatto portamerce durante l'operazione di taglio usare esclusivamente la maniglia di manovra posta sul braccio o impugnatura del pressamerce;
- non è ammesso l'uso di accessori per il taglio che non siano stati forniti dal costruttore a corredo della macchina.

Il costruttore declina ogni responsabilità diretta ed indiretta derivante da uso inappropriato, modifiche e/o riparazioni non autorizzate effettuate sulla macchina non autorizzate, utilizzo di accessori e ricambi non originali.

La macchina non può essere impiegata in luoghi aperti e/o esposta agli agenti atmosferici e in ambienti con vapori, fumi o polveri corrosivi e/o abrasivi, con rischio di incendio o esplosione e comunque ove sia prescritto l'impiego di componenti

antideflagranti.

Condizioni ambientali d'uso:

- Temperatura da -5°C a +40°C
- Umidità max 95%


**NON AFFETTARE:**

- prodotti alimentari congelati;
- prodotti alimentari surgelati;
- prodotti alimentari con ossa (carne e pesce);
- ogni altro prodotto non destinato all'uso alimentare.

## RISCHI RESIDUI

---


L'anello di sicurezza attorno alla lama è realizzato in conformità alla norma europea EN 1974:1998 +A1, tuttavia, la protezione nell'area di affilatura non elimina totalmente il rischio di taglio.

 **ATTENZIONE!** *Rischio di taglio! Durante le operazioni di pulizia lama ed affilatura, fare estrema attenzione a tenere le mani il più lontano possibile dall'area non protetta. Si raccomanda l'uso di guanti di protezione.*

## INSTALLAZIONE

---

Installare la macchina ad un'altezza massima di 90 cm, su di un piano ben livellato, liscio, asciutto ed adatto a sostenere il peso della macchina stessa più la merce da affettare.


 **AVVERTENZA:** Verificare che non ci siano impedimenti alla corsa del piatto ed al caricamento della merce da affettare sul piatto stesso.

La macchina deve essere installata nelle immediate vicinanze di una presa a norme CEE derivata da un impianto conforme alle normative vi-

genti provvisto di:

- protezione magneto-termica;
- interruttore automatico differenziale;
- impianto di messa a terra.


Prima di eseguire l'allacciamento verificare che le caratteristiche della rete di alimentazione elettrica concordino con quelle indicate sulla targhetta dati della macchina.

 **ATTENZIONE!** Per le macchine dotate di motore trifase, controllare l'orientamento della lama. Dopo aver verificato che la lama è chiusa in posizione di sicurezza, premere il pulsante di accensione (1) per avviare la macchina: guardando la lama dalla parte del piatto portamerce, assicurarsi che ruoti in senso anti orario, verso il basso lato operatore (Fig. B).

## USO DELL'AFFETTATRICE

---

**FUNZIONAMENTO MANUALE:**

 **ATTENZIONE!** Lama affilata, pericolo di taglio! Controllare che la manopola di regolazione spessore fetta (3) sia in posizione di sicurezza (in posizione 0) (Fig. A).

- Assicurarsi che la macchina sia spenta, in caso contrario premere il pulsante di spegnimento (2);

- arretrare completamente il piatto portamerce (8) verso l'operatore, in posizione di carico;
- sollevare il pressamerce (10) e porlo in posizione di riposo;
- caricamento del prodotto:

- **SLL 315-350-370, SLH 315-350-370:** allontanare il piatto scorrevole dal piano spessimetro; appoggiare il prodotto da affettare sul piatto a ridosso della sponda

del piatto, lato operatore;

- **SLG 315-350-370:** appoggiare il prodotto da affettare sul piatto contro la parete del piatto portamerce, a ridosso della sponda del piatto, lato operatore; bloccare con il pressamerce esercitando una certa pressione; nelle versioni gravità, la merce premerà contro la piastra per il proprio peso;

- usando l'apposita manopola (3), regolare lo spessore della fetta. Azionare la lama (18) premendo il pulsante di accensione (1). Impugnare la maniglia del pressamerce (13) ed iniziare il movimento alternativo di taglio;

- nei modelli Gravità, quando il peso del prodotto o la sua dimensione non permettono un taglio soddisfacente per il solo effetto della gravità, utilizzare l'impugnatura del pressamerce per aiutarsi;

- al termine delle operazioni di taglio riportare in sicurezza la manopola regolazione spessore ed arretrare il carrello. Arrestare il movimento della lama premendo il pulsante di spegnimento (2);
- allontanare il piatto scorrevole dal piano spessimetro e scaricare il prodotto.

## PULIZIA

---

Mantenere una pulizia accurata della macchina. Se utilizzata, deve essere pulita almeno una volta al giorno o con maggior frequenza se necessario. Dopo un periodo di inattività si raccomanda la pulizia anche prima dell'utilizzo.

 **ATTENZIONE! Pericolo di scossa elettrica! Prima di procedere alla pulizia della mac-**

*china, scollegare la spina della rete di alimentazione elettrica e portare in sicurezza la manopola di regolazione spessore.*

**⚠ ATTENZIONE!** Lama affilata, pericolo di taglio! Controllare che la manopola di regolazione spessore fetta (3) sia in posizione di sicurezza (in posizione 0) (Fig. A).

Prodotti per la pulizia:  
**NON LAVARE NESSUN COMPONENTE IN LAVASTOVIGLIE!** Utilizzare esclusivamente acqua e detersivo schiumoso biodegradabile per stoviglie con ph 7-8, impiegando un panno morbido, spugnoso e uno spazzolino di nylon semirigido per le zone del piatto e del pressamerce appuntito. Non pulire la macchina con getti d'acqua o vapore o con metodi similari.

### **Pulizia del piatto scorrevole modelli SLL 315-350-370, SLH 315-350-370**

- SLL 315-350-370: tirare il piatto scorrevole a fine corsa, uno scatto metallico avvisa l'operatore che il piatto portamerce è bloccato. Sollevare completamente il piatto portamerce (Fig. E-1); pulire il piatto scorrevole e ripetere le operazioni in senso inverso per riposizionare il piatto scorrevole.  
- SLH 315-350-370: allentare ruotando in senso antiorario l'impugnatura di fissaggio del piatto portamerce; tirare il piatto scorrevole a fine corsa, uno scatto metallico avvisa l'operatore che il piatto portamerce è bloccato. Allontanare il piatto scorrevole dalla piastra spessimetro e sollevare il pressamerce (Fig. F-1); pulire il piatto scorrevole e abbassare il pressamerce; sollevare il piat-

to scorrevole e pulire il piatto portamerce (Fig. F-2); sbloccare il piatto portamerce ruotando l'impugnatura di fissaggio in senso orario.

### **Rimozione piatto portamerce (SLG 315-350-370):**

- con la manopola di regolazione spessore fetta (3) in sicurezza (Fig. A, Fig. D-1), arretrare il supporto piatto (6) completamente, sino a fondo corsa, verso l'operatore (Fig. D-2);  
- ruotare completamente la manopola di bloccaggio in senso antiorario (Fig. D-3) mantenendo il supporto a fondo corsa, sino ad avvertire l'intervento del dispositivo di sicurezza di blocco della piastra spessimetro;  
- sfilare verso l'alto il piatto portamerce sfilandolo dal supporto.

**⚠ ATTENZIONE!** Assicurarsi che il pressamerce sia abbassato sul piatto prima di estrarre il supporto piatto.

**⚠ ATTENZIONE!** Mantenere la manopola di regolazione spessore fette nella posizione di sicurezza "0".

### **Rimozione del pressamerce (SLG 315-350-370)**

ruotare l'impugnatura e sfilare il pressamerce (Fig. G).

### **Rimozione del disco coprilama (11)**

- ruotando in senso antiorario, allentare l'impugnatura del tirante coprilama (19);  
- premere sull'impugnatura del tirante e sollevare il disco coprilama per rimuoverlo.

**⚠ ATTENZIONE!** Rimosso il disco coprilama, un di-

spositivo di interblocco arresta la rotazione della lama.

### **Rimozione parafetta (20)**

Allentare la/e vite/i di fissaggio e rimuovere il parafetta.

Per le versioni gravità SLG: allentare il perno bloccante e ruotare il parafetta verso il basso per sfilarlo dal perno.

### **Affilatoio (12)**

Pulire il corpo con un panno umido, non immergere in acqua.

Proseguire con la pulizia di:

- lama: premere un panno umido sulla superficie della lama e spostarlo lentamente dal centro verso l'esterno, come in figura, sul lato coprilama e sul lato opposto. Asciugare, nello stesso modo, utilizzando un panno asciutto. **NON** accendere MAI la macchina durante le fasi di pulizia;  
- anello di sicurezza: usare uno spazzolino di nylon semirigido per pulire l'area compresa tra la lama e l'anello di protezione. Fare attenzione a non avvicinare troppo le mani alla lama;  
- corpo macchina: pulire il corpo macchina con un panno umido o una spugna risciacquando acqua. Asciugare con cura;  
- affilatoio: 1) pulire il corpo con un panno umido e le mole con uno spazzolino di nylon semirigido; 2) non immergere l'affilatoio in acqua. La mola affilatrice può essere facilmente rimossa dal gruppo affilatoio, estraendola nella direzione della freccia (Fig. I). Si consiglia di mantenere la mola pulita per una corretta affilatura. Rimuovere sporco e grasso con alcool e uno spazzolino in nylon semirigido.

**! ATTENZIONE!** Pulire singolarmente tutte le parti smontate in acqua tiepida e detersivo per stoviglie NON AGGRESSIVO, utilizzando uno scovolino o un panno. Risciacquare in acqua calda e asciugare.

Procedere all'operazione di montaggio seguendo le indicazioni descritte in ordine inverso.

## RIMOZIONE DELLA LAMA

**! ATTENZIONE!** Utilizzare solo dispositivi originali!

**! ATTENZIONE!** Pericolo di taglio! Utilizzare solo dopo aver letto attentamente le istruzioni d'uso fornite con il dispositivo.

Se è stato acquistato un dispositivo si estrazione lama, per eseguire la rimozione della lama si raccomanda di seguire attentamente le relative istruzioni d'uso fornite insieme al dispositivo.

## MANUTENZIONE

### Affilatura

Periodicità e durata dell'affilatura dipendono dall'utilizzo dell'apparecchiatura.

Prima di affilare:

1. assicurarsi che la macchina sia spenta;
2. assicurarsi che le mole e la lama siano pulite;
3. posizionare in sicurezza la manopola regolazione spessore fetta;
4. arretrare completamente il piatto portamerce.

Per procedere all'affilatura, seguire le istruzioni:

- Sollevare la copertura di protezione del dispositivo di af-

filatura. Tirare l'impugnatura di sbloccaggio del dispositivo (Fig. M-1) e ruotarlo in direzione della lama (Fig. M-2). Il dispositivo di affilatura si bloccherà nella corretta posizione. Premere il pulsante di accensione per avviare la macchina. Ruotare moderatamente la leva, portando le due mole a contatto della lama per 10-15 secondi (Fig. M-3). Affilatura e sbavatura avvengono simultaneamente. Premere il pulsante di arresto e tirare l'impugnatura del dispositivo per riportarlo nella posizione iniziale. Abbassare la copertura di protezione del dispositivo di affilatura."

**! ATTENZIONE!** La mola affilatrice può essere facilmente rimossa dal gruppo affilatoio, estraendola nella direzione della freccia (Fig. I). Si consiglia di mantenere la mola pulita per una corretta affilatura. Rimuovere sporco e grasso con alcool e uno spazzolino in nylon semirigido.

### Lubrificazione

Dopo un regolare periodo di utilizzo, potrebbe essere necessario lubrificare le guide del carrello. Si consiglia di effettuare l'operazione una volta al mese. Utilizzare solo olio non acido (consigliamo olio di vasellina). Non utilizzare olio vegetale.

Per lubrificare la macchina, seguire le seguenti indicazioni: 1) spostare il carrello il più vicino possibile all'operatore; 2) introdurre l'oliatore nell'apposito foro e premere per versare una piccola quantità di olio; 3) rimuovere l'oliatore e far scorrere il carrello 2-4 volte.

## ASSISTENZA

Non sono forniti pezzi di ricambio all'interno dell'imballo. Tutte le attività di riparazione e sostituzione (quali sostituzione o riparazione di lama, cinghia, componenti elettrici, parti strutturali, etc.) devono essere svolte esclusivamente da personale autorizzato dal produttore stesso.

Nel caso fosse necessaria una riparazione, si raccomanda di ritornare la macchina al produttore o ad un Centro Servizi Autorizzato.

Per informazioni riguardo i centri servizi, rivolgersi a: [service@berkelinternational.com](mailto:service@berkelinternational.com).

**! ATTENZIONE!** *E' obbligatorio sostituire la lama quando la distanza tra il filo della lama stessa ed il bordo interno della protezione supera i 6 mm.*

## GARANZIA E RESPONSABILITÀ

Il produttore fornisce macchine con una garanzia di durata 24 mesi, a partire dalla data di acquisto. La garanzia copre solo i difetti riscontrati facendone un uso appropriato e secondo le condizioni d'uso previste dal manuale. La garanzia non copre difetti dovuti a trasporto, incompetenza o negligenza dell'acquirente, installazione o posizionamento improprio, danni da usura, voltaggio superiore al 10% del valore nominale. Inoltre, la garanzia non copre componenti intrinsecamente soggetti a usura, quali la lama e le mole dell'affilatoio, eccetto nel caso di evidente difetto di produzione.

Il produttore declina qualsiasi responsabilità diretta e indiretta



ta derivante da:

- mancata osservanza delle istruzioni presenti nel manuale;
- uso non conforme alla normativa dominante nel paese di installazione;
- modifiche e/o riparazioni sulla macchina non autorizzate;
- uso di accessori e parti di ricambio non originali;
- eventi eccezionali.

Il trasferimento di proprietà della macchina, comporta l'immediato sollevamento da ogni responsabilità da parte del produttore, con eccezione per l'osservanza della direttiva

2006/42/CE (responsabilità per qualsiasi difetto di produzione del prodotto).

La targhetta di identificazione sulla base della macchina registra il produttore, la macchina, le informazioni tecniche ed il marchio CE.

### DEMOLIZIONE E SMALTIMENTO

- La macchina è composta da: lega d'alluminio;
- inserti e componenti vari in acciaio inossidabile;
- parti elettriche e cavi elettrici;

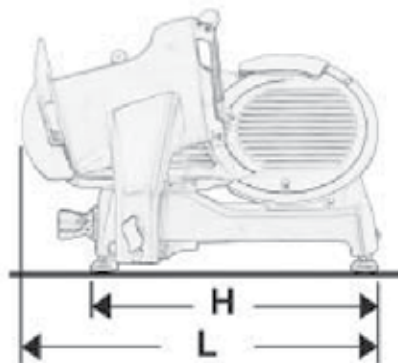
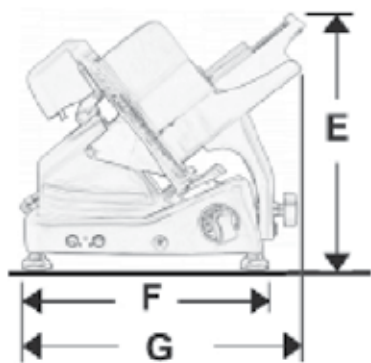
- motore elettrico;
- plastica, etc.

Se lo smaltimento è affidato a terze parti, rivolgersi solo a compagnie autorizzate per l'eliminazione dei materiali sopra indicati. Il dispositivo è conforme alle direttive EU 2012/19/UE. Contiene materiali che possono essere recuperati o riciclati. Una corretta raccolta differenziata ne facilita il riciclaggio. A fine vita depositare il dispositivo presso in punto di raccolta. E' possibile ottenere informazioni sullo smaltimento dalle autorità locali.

### Risoluzione problemi

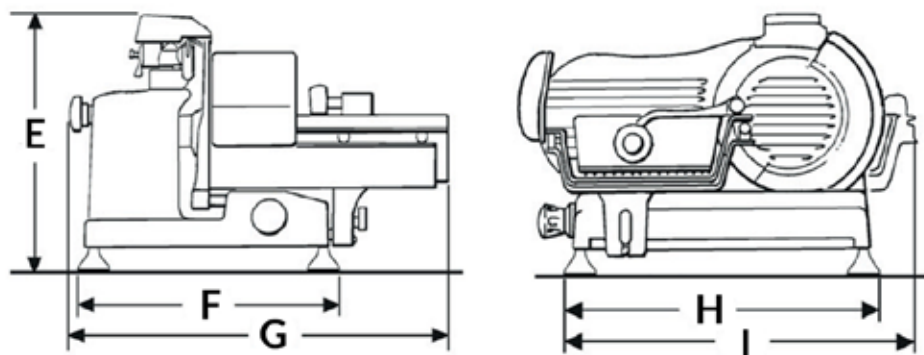
INCONVENIENTE	CAUSA PROBABILE	RIMEDIO
Premendo il pulsante di accensione la macchina non si avvia	Mancanza di alimentazione o circuito di controllo difettoso	Controllare che la spina sia inserita correttamente, se il problema persiste contattare il Centro Servizi
Premendo il pulsante di avviamento la macchina si avvia ma non si accende l'indicatore luminoso di funzionamento	Spia difettosa	Non utilizzare la macchina con indicatore luminoso spento. Interpellare il servizio assistenza
Eccessiva resistenza al taglio del prodotto	La lama non è affilata	Affilare la lama
La lama sotto sforzo rallenta o si arresta	La cinghia potrebbe essere allentata o danneggiata	Contattare il centro servizi per regolare o sostituire la cinghia
Premendo il pulsante di arresto la macchina non si ferma	Circuito di comando difettoso	Arrestare immediatamente la macchina staccando la spina dallarete ed interpellare immediatamente il Centro Servizi
Eccessiva resistenza alla movimentazione dei componenti scorrevoli (pressamerce, carrello)	Lubrificazione guide di scorrimento non effettuata periodicamente	Effettuare la lubrificazione periodica

## SLG 315 - 350-370



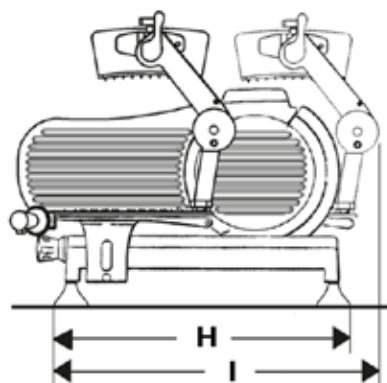
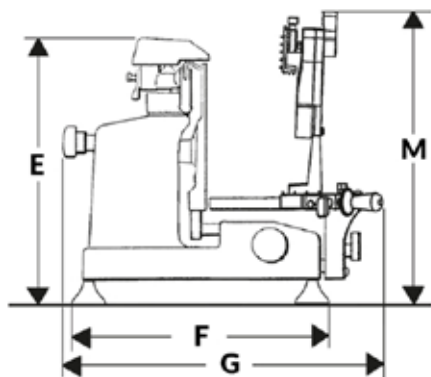
MODELLO	SLG315	SLG350	SLG370
E	500 mm	540 mm	540 mm
F	420 mm	490 mm	490 mm
G	740 mm	800 mm	800 mm
H	525 mm	615 mm	615 mm
L	750 mm	800 mm	890 mm
SPECIFICHE			
Ø Lama	315 mm	350 mm	370 mm
Spessore taglio	0-14	0-14	0-14
Peso netto	32 kg	44 kg	49 kg
Capacità di taglio (rett.)	255x160h	300x195h	300x210h
Capacità di taglio (circ.)	205 mm	250 mm	265 mm
Potenza motore	0,25   0,30 kW	0,30   0,35 kW	0,30   0,35 kW
Specifiche elettriche	230/50/1 - 400/50/3 V - Hz		

## SLH 315 - 350 - 370



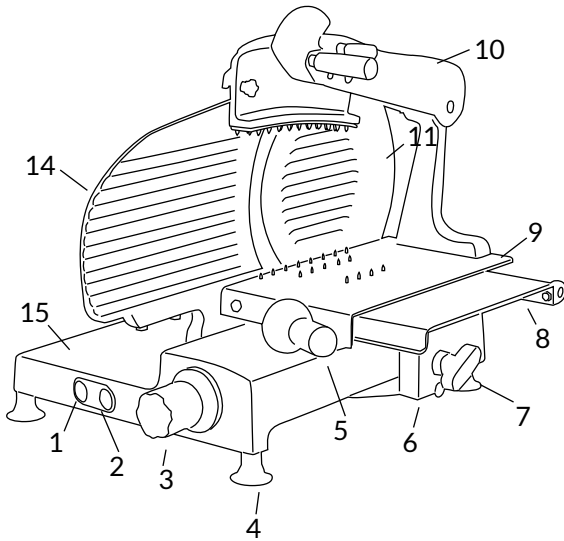
MODELLO	SLH315	SLH350	SLH370
E	515 mm	550 mm	560 mm
F	450 mm	460 mm	530 mm
G	650 mm	710 mm	800 mm
H	560 mm	570 mm	640 mm
I	670 mm	670 mm	750 mm
SPECIFICHE			
Ø Lama	315 mm	350 mm	370 mm
Spessore taglio	0-24	0-24	0-24
Peso netto	38 kg	45 kg	56 kg
Capacità di taglio (rett.=	270x225h	320x270h	370x260h
Capacità di taglio (circ.)	225 mm	270 mm	260 mm
Potenza motore	0,30   0,35 kW	0,30   0,35 kW	0,30   0,35 kW
Specifiche elettriche	120/60/1 - 220/60/1 - 230/50/1 - 400/50/3 V - Hz	120/60/1 - 220/60/1 - 400/50/3 V - Hz	120/60/1 - 230/50/1 - 400/50/3 V - Hz

SLL 315 - 350 - 370



MODEL	SLL315	SLL350	SLL370
E	510 mm	550 mm	560 mm
F	450 mm	450 mm	530 mm
G	640 mm	670 mm	720 mm
H	560 mm	590 mm	640 mm
I	650 mm	710 mm	800 mm
M	670 mm	680 mm	670 mm
SPECIFICHE			
ø Lama	315 mm	350 mm	370 mm
Spessore taglio	0 -14	0 -14	0 -14
Peso netto	40 kg	45 kg	56 kg
Capacità di taglio (rett.)	290x225h	320x270h	350x280h
Capacità di taglio (circ.)	225 mm	270 mm	280 mm
Potenza motore	0,30   0,35 kW	0,30   0,35 kW	0,30   0,35 kW
Specifiche elettriche	120/60/1 V - Hz   220/60/1 V - Hz   230/50/1 V - Hz   400/50/3 V - Hz		

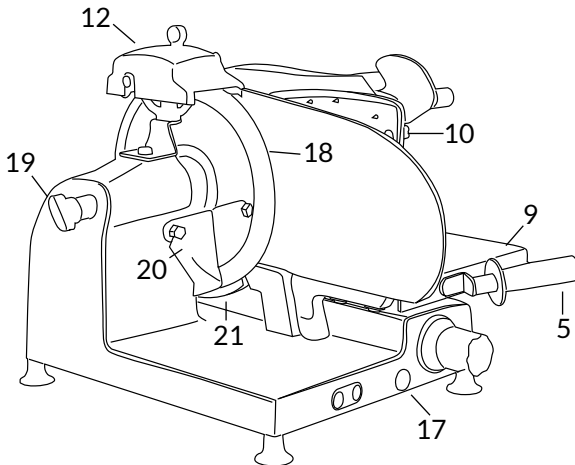
Nota: A seguito della continua ricerca per migliorare sempre i nostri prodotti, le specifiche tecniche sono soggette a possibili variazioni.



## SLL 315 - 350 - 370

## HAUPTBESTANDTEILE

1. Starttaster
2. Stoptaste
3. Reglerknopf für die schnittdick
4. Fuss
5. Wagenschubgriff
6. Schlittentisch
7. Schlittensperrknopf
8. Schneidgutplatte
9. Beweglicher Oberteller
10. Anschlagplatte
11. Messerabdeckung (messerschutz)
12. Schleifvorrichtung
14. Platte fuhrerlehr
15. Sockel
17. Öl für die schmierung der führung
18. Messer
19. Fixierschraube
20. Resthalter
21. Sicherheitsring



SLH 315 - 350 - 370

## HAUPTBESTANDTEILE

1. Starttaster
2. Stopptaste
3. Reglerknopf für die schnittdick
4. Fuss
6. Schlittentisch
7. Schlittensperrknopf
8. Schneidgutplatte
9. Beweglicher Oberteller
10. Anschlagplatte
11. Messerabdeckung (messerschutz)
12. Schleifvorrichtung
13. Griff anschlagplatte
14. Platte fuhrerlehr
15. Sockel
17. Öl für die schmierung der führung
18. Messer
19. Fixierschraube
20. Resthalter
21. Sicherheitsring
24. Daumenschutz

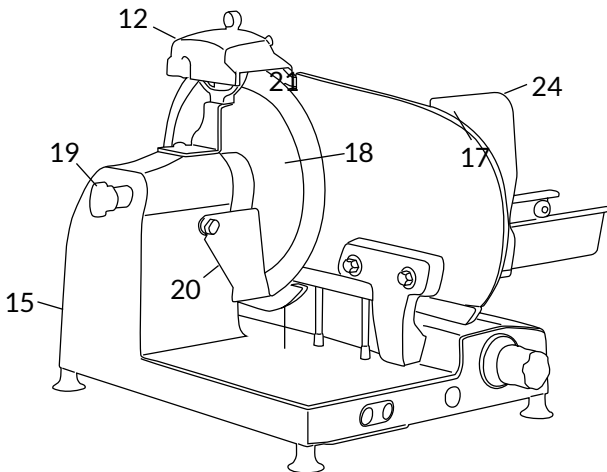
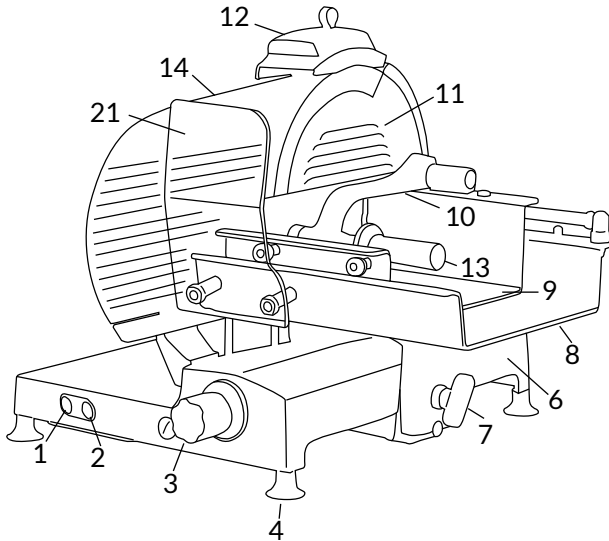


Abb. 2

## SLG 315 - 350 - 370

### HAUPTBESTANDTEILE

1. Starttaster
2. Stoptaste
3. Reglerknopf für die schnittdick
4. Fuss
5. Wagenschubgriff
6. Schlittentisch
7. Schlittensperrknopf
8. Schneidgutplatte
10. Anschlagplatte
11. Messerabdeckung (messerschutz)
12. Schleifvorrichtung
13. Griff anschlagplatte
14. Platte fuhrerlehr
15. Sockel
16. Typenschild, technische daten, CE kennzeichnung
17. Öler für die schmierung der führung
18. Messer
19. Fixierschraube
20. Restehalter
21. Sicherheitsring
23. Stromkabel
24. Daumenschutz

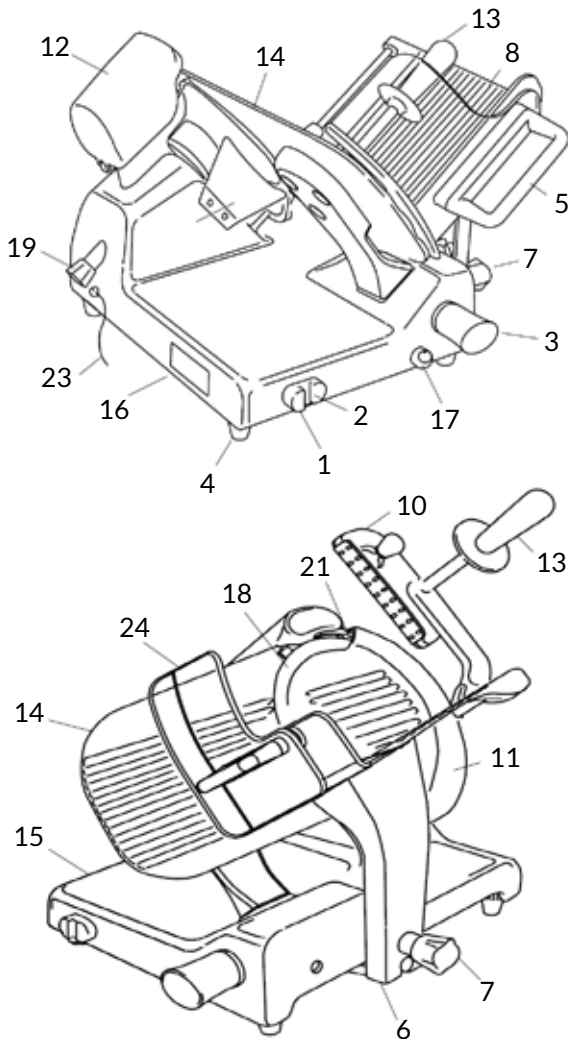


Abb. 2

## BESCHREIBUNG

---

Professionelle Aufschnittmaschinen mit kreisrundem Messer, die ausschließlich zum Aufschneiden von Lebensmitteln des Typs und der Größe bestimmt sind, die in der vorliegenden Anleitung genannt werden. Die Hauptbestandteile des Gerätes werden in Abbildung 2 gezeigt. Der Schaltplan ist in Abbildung 1 dargestellt.

## KONFORMITÄTSERKLÄRUNG

---

Die in dieser Anleitung beschriebenen Geräte sind konform mit den Richtlinien 2006/42/EG, 2006/95/EG, 2004/108/EG, 2003/108/EG und 2011/65/EG, mit der Verordnung (EG) Nr. 1935/2004 sowie den entsprechenden Normen wie EN 1974:1998 +A1, EN60204-1, EN60335-1 und EN60335-2-64.



## SICHERHEIT

---

Zu Ihrer Sicherheit möchten wir Sie bitten, unbedingt die folgenden Anweisungen zu befolgen:

- Bevor Sie das Gerät benutzen, lesen Sie aufmerksam alle Anweisungen;
- Das Produkt ist nicht zum Gebrauch durch Kinder geeignet.
- Verwenden Sie das Gerät nur nach entsprechender Anweisung und wenn Sie sich in einwandfreiem körperlichem und geistigem Zustand befinden;
- Verwenden Sie das Gerät auf keinen Fall anders als in der vorliegenden Anleitung beschrieben;
- Installieren Sie das Gerät in Übereinstimmung mit den Anweisungen im Abschnitt "Ins-

tallation";

- Verwenden Sie das Gerät nur, wenn sich dieses in perfektem baulichem und mechanischem Zustand befindet und auch die entsprechende Anlage einwandfrei funktioniert;
- Stellen Sie das Gerät an einem Ort auf, zu dem Unbefugte und vor allem Minderjährige keinen Zugang haben;
- Seien Sie beim Verwenden des Gerätes stets hochkonzentriert und lassen Sie sich nicht ablenken;
- Lassen Sie das Gerät nicht von Personen verwenden, die diese Anleitung nicht gelesen und verstanden haben;
- Tragen Sie bei der Verwendung keine flatternden Kleidungsstücke oder weiten Ärmel;
- Gestatten Sie während des Schneidvorgangs niemandem, außer dem Bediener, sich dem Gerät zu nähern;
- Die Beschilderung am Gerät darf nicht entfernt, überdeckt oder verändert werden und ist im Falle einer Beschädigung umgehend zu ersetzen;
- Die transparente Schutzvorrichtung darf nicht entfernt und die mechanischen und elektrischen Schutzvorrichtungen dürfen nicht verändert werden;
- Es dürfen ausschließlich die zugelassenen Produkte aufgeschnitten werden; versuchen Sie niemals, nicht zugelassene Produkte zu schneiden;
- Halten Sie den Ablagebereich für die Aufschnittware, den gesamten Arbeitsbereich um das Gerät und den Fußboden im Arbeitsbereich immer sauber und trocken;
- Nutzen Sie das Gerät nicht als Fläche zum Abstützen oder zum Ablegen von Gegenstän-

den, die nicht für den Schneidvorgang erforderlich sind;

- Benutzen Sie die Aufschnittmaschine nicht, wenn der Abstand zwischen dem Messer und dem Sicherheitsring des Messers 6 mm infolge der normalen Abnutzung übersteigt. Wenden Sie sich in diesem Fall an den Hersteller oder an eine autorisierte Kundendienststelle, um das Messer auswechseln zu lassen;
- Benutzen Sie das Gerät nicht mit provisorischen oder nicht isolierten "fliegenden" elektrischen Verbindungen;
- Kontrollieren Sie regelmäßig den Zustand des Stromkabels und der Kabeldurchführung am Gerät und ersetzen Sie diese bei Bedarf zeitnah. Wenden Sie sich dafür an Fachpersonal;
- Halten Sie das Gerät bei einem Defekt, ungewöhnlicher Funktionsweise, Verdacht auf einen Bruch, nicht korrekten Bewegungen oder ungewöhnlichen Geräuschen sofort an;
- Trennen Sie das Gerät vor Reinigungs- oder Instandhaltungsarbeiten immer erst vom Stromnetz;
- Tragen Sie bei Reinigungs- oder Instandhaltungsarbeiten immer Schutzhandschuhe;
- Legen Sie die aufzuschneidende Ware nur auf den Schlitten bzw. entfernen Sie sie von selbigem, wenn dieser vollständig zurückgesetzt ist und sich der Reglerknopf für die Schnittdicke in der sicheren Position befindet;
- Verwenden Sie zum Bewegen der Schneidgutplatte ausschließlich den am Arm angebrachten Manövriergreif oder den Griff der Anschlagplatte;
- Es ist nicht zulässig, für das Aufschneiden andere Zubehörteile als jene zu benutzen,



die vom Hersteller für die Ausstattung des Gerätes vorgesehen sind.

Der Hersteller übernimmt keinerlei direkte oder indirekte Verantwortung für Schäden infolge unsachgemäßer Verwendung, nicht autorisierter Änderungen und/oder Reparaturen am Gerät sowie der Verwendung nicht originaler Zubehör- und Ersatzteile.

Das Gerät darf nicht im Freien bzw. an Orten verwendet werden, wo es den Witterungseinflüssen ausgesetzt ist. Außerdem darf es nicht in Umgebungen mit Dampf, Rauch oder korrosiven bzw. abrasiven Pulvern, mit Brand- oder Explosionsgefahr oder in Umgebungen benutzt werden, in denen die Verwendung von Explosionsschutzkomponenten vorgeschrieben ist.

Umgebungsbedingungen für den Betrieb:

- Temperatur:  
zwischen -5°C und +40°C
- Max. Feuchtigkeit 95%

**NICHT AUFSCHNEIDEN:**

- gefrorene Lebensmittel;
- tiefgekühlte Lebensmittel;
- Lebensmittel mit Knochen (Fleisch und Fisch);
- alle anderen nicht zu Ernährungszwecken vorgesehenen Produkte.

## RESTRISIKEN

---

Der Sicherheitsring um das Messer ist im Einklang mit der europäischen Norm EN 1974:1998 +A1 konstruiert; trotzdem beseitigt der Schutz die Schneid Gefahr im Bereich der Schneide nicht vollständig.

**⚠ ACHTUNG! Schneid Gefahr! Halten Sie Ihre Hände beim Reinigen und Schleifen des Messers unbedingt möglichst weit vom nicht geschützten Bereich entfernt. Es wird das Tragen von Schutzhandschuhen empfohlen.**

## INSTALLATION

---

Stellen Sie das Gerät auf eine gut nivellierte, glatte, trockene und dem Gewicht des Gerätes und des Schneidgutes angemessene Fläche in einer Höhe von maximal 90 cm.

**⚠ WICHTIGER HINWEIS:** Stellen Sie sicher, dass die Bewegung des Schlittens und das Aufladen des Schneidguts auf diesen durch nichts beeinträchtigt werden.

Das Gerät muss in unmittelbarer Nähe einer Steckdose gemäß EWG-Richtlinie installiert werden, die nach den geltenden Normen mit Folgendem ausgestattet ist:

- FI/LS-Schalter;
- automatischer Fehlerstromschutzschalter;
- Erdungsanlage.

Vergewissern Sie sich, bevor sie das Gerät anschließen, dass die Eigenschaften des Stromnetzes denen auf dem Typenschild des Gerätes entsprechen.

**⚠ ACHTUNG!** Kontrollieren Sie bei Geräten, die mit einem Drehstrommotor ausgestattet sind, die Ausrichtung des Messers. Nachdem Sie geprüft haben, dass das Messer in der sicheren Position geschlossen ist, drücken Sie die Start-Taste (1) zum

Starten des Gerätes: Wenn Sie sich das Messer von der Seite der Schneidgutplatte ansehen, muss es sich entgegen dem Uhrzeigersinn drehen, in Richtung Bedienerseite unten (Abb. B).

## GEBRAUCH DER AUFSCHNITTMASCHINE

---

**MANUELLER BETRIEB:**

**⚠ ACHTUNG!** Scharfes Messer, Schneid Gefahr! Kontrollieren Sie, dass sich der Reglerknopf für die Schnittdicke (3) in der sicheren Position (Position 0) befindet (Abb. A).

- Vergewissern Sie sich, dass das Gerät ausgeschaltet ist; anderenfalls drücken Sie die Abschalttaste (2);
- Setzen Sie die Schneidgutplatte (8) vollständig zurück in Richtung Bediener und bringen Sie sie so in die Beladeposition;
- Heben Sie die Anschlagplatte (10) an und bringen Sie sie in die Ruhestellung;
- Legen Sie die aufzuschneidende Ware auf die Schneidgutplatte:

- **SLL 315-350-370, SLH 315-350-370:** den Schlitten von der Schnittstärkenplatte wegbewegen; das Schneidgut auf den Schlitten neben der Seitenwand des Schlittens auf der Bedienerseite legen;

- **SLG 315 - 350 - 370:** das Schneidgut auf den Schlitten gegen die Wand der Schneidgutplatte neben der Seitenwand des Schlittens auf Bedienerseite legen; die Anschlagplatte durch Ausüben eines gewissen Drucks blockieren; bei der Schwerkraftausführung wird das Schneidgut durch sein Ei-

gegengewicht gegen die Platte gedrückt;

- Stellen Sie die Schnittdicke mithilfe des entsprechenden Reglerknopfes (3) ein. Betätigen Sie das Messer (18) durch Betätigen der Start-Taste (1). Greifen Sie den Griff der Anschlagplatte (13) und beginnen Sie mit der abwechselnden Schneidbewegung;

- Bei Senkrechtsschneidern helfen Sie sich mit dem Griff der Anschlagplatte, wenn das Gewicht oder die Größe des Produktes die Größe einzig aufgrund der Wirkung der Schwerkraft kein zufriedenstellendes Schneidergebnis ermöglicht;

- Bringen Sie den Reglerknopf der Schnittdicke am Ende des Schneidvorganges wieder in die sichere Position und setzen Sie den Schlitten zurück. Halten Sie die Bewegung des Messers durch Betätigen der Stopp-Taste (2) an;

- den Schlitten von der Platte Führungslehre wegbewegen und das Produkt herunternehmen.

## REINIGUNG

Halten Sie das Gerät stets sauber. Wenn das Gerät genutzt wird, muss es mindestens einmal am Tag oder, bei Bedarf, häufiger gereinigt werden. Wenn das Gerät länger nicht genutzt wurde, sollte es auch vor der Wiederbenutzung gereinigt werden.

**⚠ ACHTUNG! Stromschlaggefahr! Bevor Sie mit der Reinigung des Gerätes beginnen, ziehen Sie seinen Stecker aus der Steckdose und bringen Sie den Reglerknopf der Schnittdicke in**

**die sichere Position.**

**⚠ ACHTUNG!** Scharfes Messer, Schneidgefahr! Kontrollieren Sie, dass sich der Reglerknopf für die Schnittdicke (3) in der sicheren Position (Position 0) befindet (Abb. A).

Zu verwendende Reinigungsmittel:

WASCHEN SEIN KEIN GERÄTETEIL IM GESCHIRRSPÜLER! Verwenden Sie ausschließlich warmes Wasser und schäumendes, biologisch abbaubares Geschirrspülmittel mit einem pH-Wert von 7-8, ein weiches Schwammtuch und eine mittelharte Nylonbürste für die spitzen Teile der Schneidgut- und der Anschlagplatte. Reinigen Sie das Gerät nicht mit Strahlwasser, Dampf oder ähnlichen Methoden.

**Reinigen des Schlittens bei SLL 315-350-370, SLH 315-350-370**

- SLL 315-350-370: den Schlitten bis zum Anschlag ziehen, ein metallisches Schnappen weist den Bediener darauf hin, dass die Schneidgutplatte blockiert ist. Die Schneidgutplatte vollständig anheben (Abb. E-1); den Schlitten reinigen und die einzelnen Schritte in umgekehrter Reihenfolge wiederholen, um den Schlitten erneut einzusetzen;

- SLH 315-350-370: den Befestigungsgriff der Schneidgutplatte im Gegenuhrzeigersinn drehen, um ihn zu lockern; den Schlitten bis zum Anschlag ziehen, ein metallisches Schnappen weist den Bediener darauf hin, dass die Schneidgutplatte blockiert ist. Den Schlitten von der Schnittstärkenplatte wegbewegen und die Anschlag-

platte anheben (Abb. F-1); den Schlitten reinigen und die Anschlagplatte absenken; den Schlitten anheben und die Schneidgutplatte reinigen (Abb. F-2); den Befestigungsgriff im Uhrzeigersinn drehen, um die Schneidgutplatte zu lösen

**Entfernen der Schneidgutplatte (SLG 315-350-370)**

- Bei gesichertem Reglerknopf für die Schnittdicke (3) (Abb. A, Abb. D-1) den Schlittentisch (6) Richtung Bediener bis zum Anschlag schieben und vollständig verriegeln (Abb. D-2);

- den Feststellknopf vollständig (7) gegen den Uhrzeigersinn drehen (Abb. D-3) und dabei die Halterung am Anschlag halten, bis der Eingriff der Sicherheits-Blockiervorrichtung der Platte Führerlehre umgekehrt ist;

- die Schneidgutplatte nach oben von der Halterung abziehen.

**⚠ ACHTUNG!** Stellen Sie sicher, dass die Anschlagplatte auf die Schneidgutplatte abgesenkt wurde, bevor Sie den Schlittentisch herausziehen

**⚠ ACHTUNG!** Den Reglerknopf für die Schnittdicke in die Sicherungsposition „0“ bringen.

**Entfernen der Anschlagplatte (SLG 315-350-370)**

Den Griff drehen und die Anschlagplatte herausziehen (Abb. G).

**Entfernen der Messerabdeckscheibe (11)**

- Den Griff der Fixierschraube (19) entgegen den Uhrzeigersinn drehen und so lockern;

- auf den Griff Fixierschraube drücken und die Messerabdeckscheibe zum Entdecken anheben.

**⚠ ACHTUNG!** Nach Entfernung der Messerabdeckung hält eine Verriegelungsvorrichtung die Rotation des Messers an.

### Entfernen des Restehalters (20)

Die Befestigungsschraube(n) lockern und den Restehalter entfernen.

Bei den Schwerkraftausführungen SLG: den Blockierstift lockern und den Restehalter nach unten drehen, um ihm vom Stift abzuziehen.

### Schleifvorrichtung (12)

Den Körper mit einem feuchten, jedoch nicht in Wasser getränkten Tuch reinigen.

Fahren Sie dann mit der Reinigung der folgenden Teile fort:

- Messer: Drücken Sie einen feuchten Lappen auf die Oberfläche des Messers und bewegen Sie ihn dann langsam von der Mitte nach außen, wie in der Abbildung gezeigt; gehen Sie sowohl auf der Seite der Messerhaube als auch auf der gegenüberliegende Seite vor. Trocknen Sie das Messer auf dieselbe Weise mit einem trockenen Tuch ab. Schalten Sie das Gerät während der Reinigung NIEMALS ein;

- Sicherheitsring: Verwenden Sie zum Reinigen des Bereichs zwischen dem Messer und dem Sicherheitsring eine kleine halbsteife Nylonbürste. Achten Sie darauf, die Hände nicht zu weit an das Messer anzunähern;

- Gerätekorpus: Reinigen

Sie den Gerätekorpus mit einem feuchten Lappen oder Schwamm und spülen Sie ihn dann mit warmem Wasser ab. Sorgfältig abtrocknen;

- Schleifvorrichtung: 1) Den Korpus mit einem feuchten Lappen und die Schleifscheiben mit einer kleinen halbsteifen Nylonbürste reinigen; 2) Den Schleifapparat nicht in Wasser tauchen. Die Schleifscheibe kann leicht von der Schleifgruppe entfernt werden, indem sie in Pfeilrichtung herausgezogen wird (Abb. I). Für ein gutes Schleifergebnis sollte die Schleifscheibe stets sauber gehalten werden. Schmutz und Fett mit Alkohol und einer kleinen Bürste mit halbsteifen Nylonborsten entfernen.

**⚠ ACHTUNG!** Alle abmontierten Teile einzeln in warmem Wasser und mit NICHT AGGRESSIVEM Spülmittel unter Verwendung einer Bürste oder eines Tuches reinigen. Mit heißem Wasser abspülen und abtrocknen.

Zur erneuten Montage die beschriebenen Schritte in umgekehrter Reihenfolge ausführen

### ENTFERNEN DES MESSERS

**⚠ ACHTUNG!** Nur Originalteile verwenden!

**⚠ ACHTUNG!** Schnittgefahr! Erst nach aufmerksamem Lesen der Gebrauchsanleitung des Gerätes verwenden.

Wenn die spezielle Vorrichtung zum Entfernen des Messers gekauft wurde, zum Entfernen des Messers sorgfältig die Anweisungen der Anlei-

tung der Vorrichtung befolgen.

### INSTANDHALTUNG

#### Schleifen

Wie häufig das Messer geschliffen werden muss, hängt von der Verwendung des Gerätes ab.

Vor dem Schleifen:

1. Vergewissern, dass das Gerät aus ist;
2. Vergewissern Sie sich, dass die Schleifscheiben und das Messer sauber sind;
3. Bringen Sie den Reglerknopf für die Schnittstärke in die Sicherheitsposition;
4. Setzen Sie die Schneidgutplatte vollständig zurück.

Für den Schleifvorgang befolgen Sie die Anweisungen:

- Schutzabdeckung der Schleifvorrichtung anheben. Den Entriegelungsgriff der Vorrichtung ziehen (Abb. M-1) und in Richtung Messer drehen (Abb. M-2). Die Schleifvorrichtung wird in der richtigen Position einrasten. - Die Start-Taste drücken, um die Maschine einzuschalten. Den Hebel etwas drehen, um die beiden Schleifscheiben 10-15 Sekunden mit dem Messer in Kontakt zu bringen (Abb. M-3). Schleifen und Entgraten erfolgen gleichzeitig. Die Stopp-Taste drücken und den Griff der Vorrichtung zurück in die Ausgangsposition ziehen. Schutzabdeckung der Schleifvorrichtung senken.

**⚠ ACHTUNG!** Die Schleifscheibe kann leicht von der Schleifgruppe entfernt werden, indem sie in Pfeilrichtung herausgezogen wird (Abb. I). Für ein gutes Schleifergebnis sollte die Schleifscheibe stets sauber gehalten werden.

Schmutz und Fett mit Alkohol und einer kleinen Bürste mit halbsteifen Nylonborsten entfernen.

## Schmieren

Nach einer gewissen Betriebsdauer kann es erforderlich werden, die Führungen des Schlittens zu schmieren. Wir empfehlen, das Schmieren einmal pro Monat vorzunehmen. Verwenden Sie nur nicht saures Öl (wir empfehlen Vaselineöl). Keine pflanzlichen Öle verwenden.

Gehen Sie zum Schmieren des Gerätes wie folgt vor: 1) Bewegen Sie den Schlitten möglichst nah an den Bediener heran. 2) Setzen Sie den Öler in die entsprechende Öffnung ein und drücken Sie, um eine kleine Menge Öl einzufüllen. 3) Entfernen Sie den Öler und bewegen Sie den Schlitten 2-4 Mal hin und her.

## ASSISTENZ

Der Verpackung liegen keine Ersatzteile bei. Sämtliche Reparatur- und Austauscharbeiten (wie Austausch oder Reparatur von Messer, Riemen, elektrischen Bauteilen, strukturellen Teilen usw.) dürfen ausschließlich von Personal durchgeführt werden, das vom Hersteller autorisiert ist.

Sollte eine Reparatur erforderlich sein, bringen Sie das Gerät möglichst zum Hersteller oder zu einer autorisierten Kundendienststelle.

Für Informationen zu Kundendienststellen, wenden Sie sich an:

service@berkelinternational.com.

**den, wenn der Abstand zwischen der Messerschneide und dem Innenrand der Schutzvorrichtung 6 mm übersteigt.**

## GARANTIE UND HAFTUNG

Der Hersteller liefert Geräte mit einer Garantielaufzeit von 24 Monaten ab Kaufdatum. Die Garantie deckt einzig Defekte ab, wenn das Gerät sachgemäß und im Einklang mit den vorgesehenen Betriebsbedingungen laut Anleitung genutzt wurde. Die Garantie deckt keine Mängel oder Schäden ab, die durch Folgendes verursacht werden: Transport, Unfähigkeit oder Fahrlässigkeit des Käufers, unsachgemäße Installation oder Positionierung, Verschleiß, Versorgung mit einer Spannung, die mehr als 10 % über der Nennspannung liegt. Darüber hinaus gilt die Garantie nicht für Verschleißteile wie das Messer und die Schleifscheiben der Schleifvorrichtung, sofern keine offensichtlichen Herstellungsfehler vorliegen.

Der Hersteller lehnt jede direkte und indirekte Verantwortung ab, die auf Folgendes zurückzuführen ist:

- Nichtbeachtung der Anweisungen der vorliegenden Anleitung;
- Gebrauch, der nicht den im Aufstellungsland geltenden Normen entspricht;
- nicht autorisierte Änderungen und/oder Reparaturen am Gerät;
- Verwendung nicht originaler Zubehör- oder Ersatzteile;
- außergewöhnliche Ereignisse.

Die Übertragung des Eigentums des Gerätes entbindet den Hersteller umgehend von jeglicher Verantwortung, mit

Ausnahme der Einhaltung der Richtlinie 2006/42/EG (Haftung für jegliche Herstellungsfehler des Produktes).


Das Typenschild am Gerätesockel weist den Hersteller, den Gerätetyp, die technischen Informationen sowie die CE-Marke au.

## ABBAU UND ENTSORGUNG

Das Gerät besteht aus Folgendem:

- Aluminiumlegierung;
- verschiedene Einsätze und Geräteteile aus Edelstahl;
- elektrische Komponenten und Stromkabel;
- Elektromotor;
- Kunststoff usw.

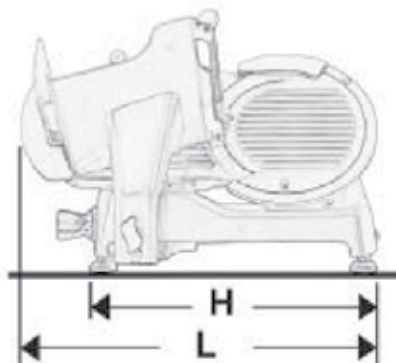
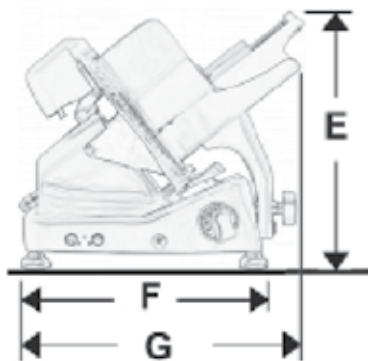
Wenn mit der Entsorgung Dritte beauftragt werden, wenden Sie sich ausschließlich an Firmen, die zur Beseitigung der obigen Materialien befugt sind. Das Gerät ist mit der WEEE-Richtlinie 2012/19/EU konform. Es enthält Materialien, die wiederverwertet oder recycelt werden können. Eine korrekte differenzierte Entsorgung erleichtert ihr Recycling. Geben Sie das Gerät an seinem Lebensende bei einer Sammelstelle ab. Weitere Informationen zur Entsorgung erhalten Sie bei den lokalen Behörden.

 **ACHTUNG! Das Messer muss ausgetauscht wer-**

## Problembesehung

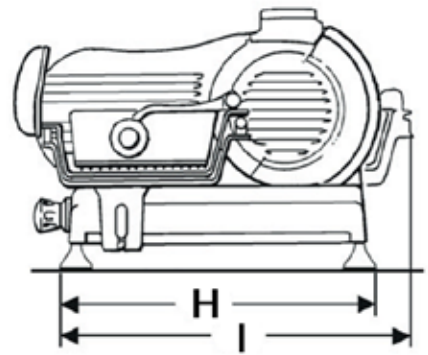
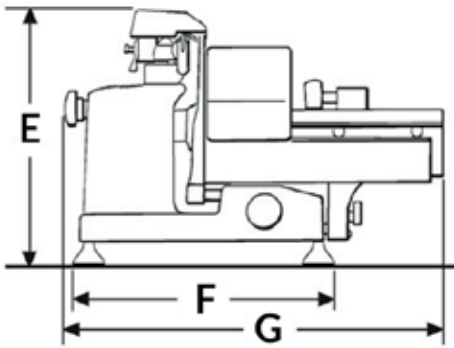
PROBLEM	MÖGLICH URSACHE	BEHEBUNG
Das Gerät schaltet sich bei Einschalten der Start-Taste nicht ein	Fehlende Stromversorgung oder defekter Steuerkreis	Prüfen Sie, dass der Stecker korrekt eingesetzt ist; wenn das Problem weiterhin besteht, wenden Sie sie an eine Kundendienststelle
Bei Betätigung der Start-Taste startet das Gerät, aber die Leuchtanzeige des Betriebs geht nicht an	Leuchtanzeige defekt	Das Gerät nicht verwenden, wenn die Leuchtanzeige aus ist. Wenden Sie sich an den Kundendienst
Zu hoher Widerstand beim Schneiden der Aufschnittware	Das Messer ist nicht geschliffen	Das Messer schleifen
Das Messer wird bei Belastung langsamer oder hält an	Der Riemen könnte locker oder beschädigt sein	Wenden Sie sich an den Kundendienst, um den Riemen einstellen oder austauschen zu lassen
Bei Betätigen der Stopp-Taste hält das Gerät nicht an	Steuerkreis defekt	Das Gerät sofort anhalten, den Stecker aus der Steckdose ziehen und umgehend an den Kundendienst wenden
Übermäßiger Widerstand bei der Bewegung der beweglichen Geräteteile (Anschlagplatte, Schlitten)	Schmierung der Gleitführungen nicht regelmäßig durchgeführt	Schmierung regelmäßig durchführen

SLG 315 - 350 -370



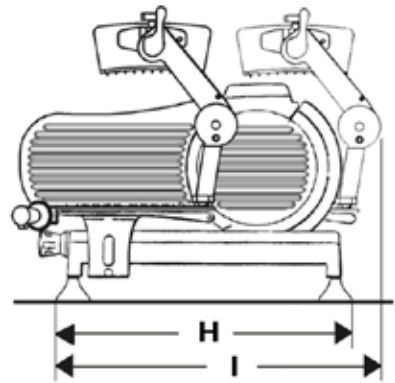
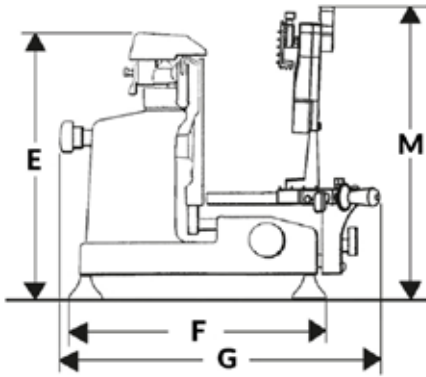
MODELL	SLG315	SLG350	SLG370
E	500 mm	540 mm	540 mm
F	420 mm	490 mm	490 mm
G	740 mm	800 mm	800 mm
H	525 mm	615 mm	615 mm
L	750 mm	800 mm	890 mm
TECHNISCHE MERKMALE			
ø Messere	315 mm	350 mm	370 mm
Schnittbreite	0-14	0-14	0-14
Nettogewicht	32 kg	44 kg	49 kg
Schnittleistung (rechteckig)	255x160h	300x195h	300x210h
Schnittleistung (rund)	205 mm	250 mm	265 mm
Motorleistung	0,25   0,30 kW	0,30   0,35 kW	0,30   0,35 kW
Elektrische Eigenschaften	230/50/1 - 400/50/3 V - Hz		

SLH 315 - 350 - 370



MODELL	SLH315	SLH350	SLH370
E	515 mm	550 mm	560 mm
F	450 mm	460 mm	530 mm
G	650 mm	710 mm	800 mm
H	560 mm	570 mm	640 mm
I	670 mm	670 mm	750 mm
TECHNISCHE MERKMALE			
ø Messere	315 mm	350 mm	370 mm
Schnittbreite	0-24	0-24	0-24
Nettogewicht	38 kg	45 kg	56 kg
Schnittleistung (rechteckig)	270x225h	320x270h	370x260h
Schnittleistung (rund)	225 mm	270 mm	260 mm
Motorleistung	0,30   0,35 kW	0,30   0,35 kW	0,30   0,35 kW
Elektrische Eigenschaften	120/60/1 - 220/60/1 - 230/50/1 - 400/50/3 V - Hz	120/60/1 - 220/60/1 - 400/50/3 V - Hz	120/60/1 - 230/50/1 - 400/50/3 V - Hz

SLL 315 - 350 - 370



MODELL	SLL315	SLL350	SLL370
E	510 mm	550 mm	560 mm
F	450 mm	450 mm	530 mm
G	640 mm	670 mm	720 mm
H	560 mm	590 mm	640 mm
I	650 mm	710 mm	800 mm
M	670 mm	680 mm	670 mm
TECHNISCHE MERKMALE			
ø Messere	315 mm	350 mm	370 mm
Schnittbreite	0 -14	0 -14	0 -14
Nettogewicht	40 kg	45 kg	56 kg
Schnittleistung (rechteckig)	290x225h	320x270h	350x280h
Schnittleistung (rund)	225 mm	270 mm	280 mm
Motorleistung	0,30   0,35 kW	0,30   0,35 kW	0,30   0,35 kW
Elektrische Eigenschaften	120/60/1 V - Hz   220/60/1 V - Hz 230/50/1 V - Hz   400/50/3 V - Hz		

Anmerkung: Aufgrund der ständigen Forschung für die Verbesserung unserer Produkte, die Produktionsvorgabe können Änderungen zeigen.



## SLL 315 - 350 - 370

ÉLÉMENTS  
PRINCIPAUX

1. Bouton de démarrage
2. Bouton d'arrêt
3. Poignée de réglage de l'épaisseur de la tranche
4. Pied d'appui
5. Poignée pousse-plateau
6. Support du plateau
7. Bouton blocage plateau
8. Plateau port-aliment
9. Plateau supérieur coulissant
10. Presse-aliment
11. Protection de lam (pare-lame)
12. Aiguiseur
14. Plaque de la jauge d'épaisseur (écran)
15. Base
17. Graisseur lubrification guides
18. Lame
19. Tirant couvre-lame
20. Deflecteur de tranche
21. Anneau de sécurité

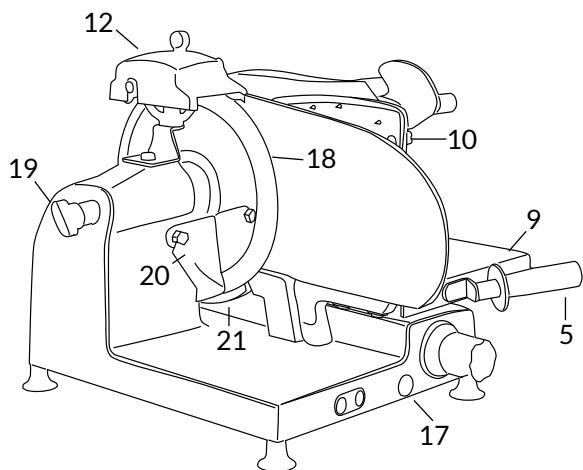
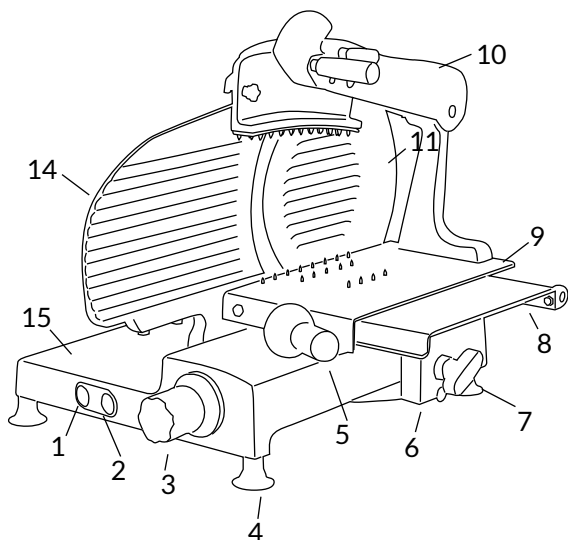


Fig. 2

## SLH 315 - 350 - 370

### ÉLÉMENTS PRINCIPAUX

1. Bouton de démarrage
2. Bouton d'arrêt
3. Poignée de réglage de l'épaisseur de la tranche
4. Pied d'appui
6. Support du plateau
7. Bouton blocage plateau
8. Plateau port-aliment
9. Plateau supérieur coulissant
10. Presse-aliment
11. Protection de lam (pare-lame)
12. Aiguisoir
13. Poignée du presse-aliment
14. Plaque de la jauge d'épaisseur (écran)
15. Base
17. Graisseur lubrification guides
18. Lame
19. Tirant couvre-lame
20. Deflecteur de tranche
21. Anneau de sécurité
24. Protection de sécurité plateau

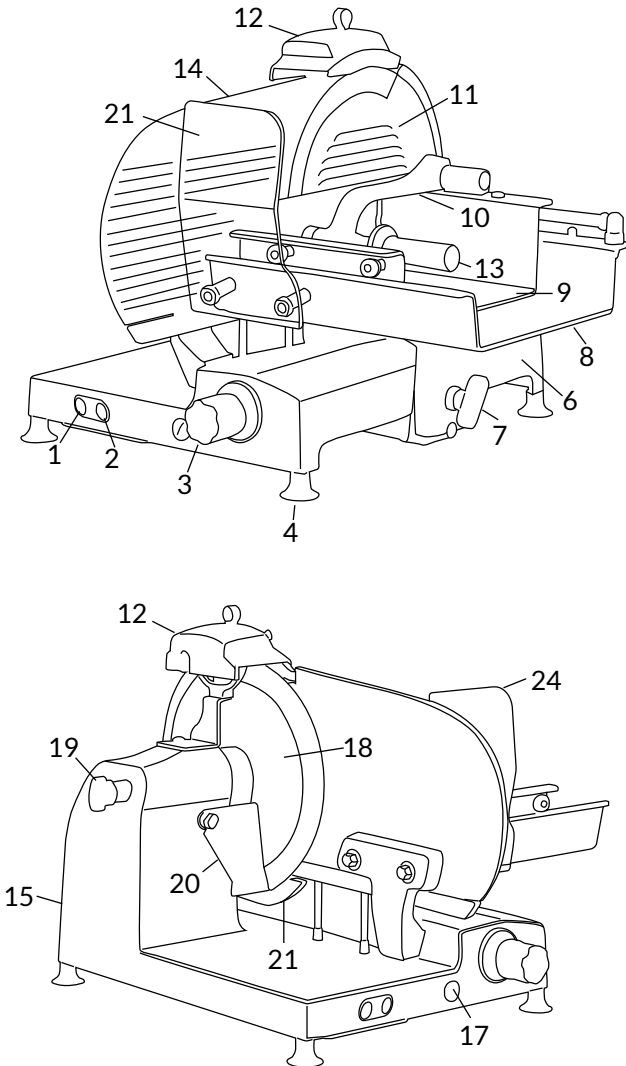


Fig. 2

## SLG 315 - 350 - 370

### ÉLÉMENTS PRINCIPAUX

1. Bouton de démarrage
2. Bouton d'arrêt
3. Poignée de réglage de l'épaisseur de la tranche
4. Pied d'appui
5. Poignée pousse-plateau
6. Support du plateau
7. Bouton blocage plateau
8. Plateau port-aliment
10. Presse-aliment
11. Protection de lam (pare-lame)
12. Aiguiseur
13. Poignée du presse-aliment
14. Plaque de la jauge d'épaisseur (écran)
15. Base
16. Plaque d'identification, données techniques, marquage CE
17. Graisseur lubrification guides
18. Lame
19. Tirant couvre-lame
20. Deflecteur de tranche
21. Anneau de sécurité
23. Câble d'alimentation
24. Protection de sécurité plateau

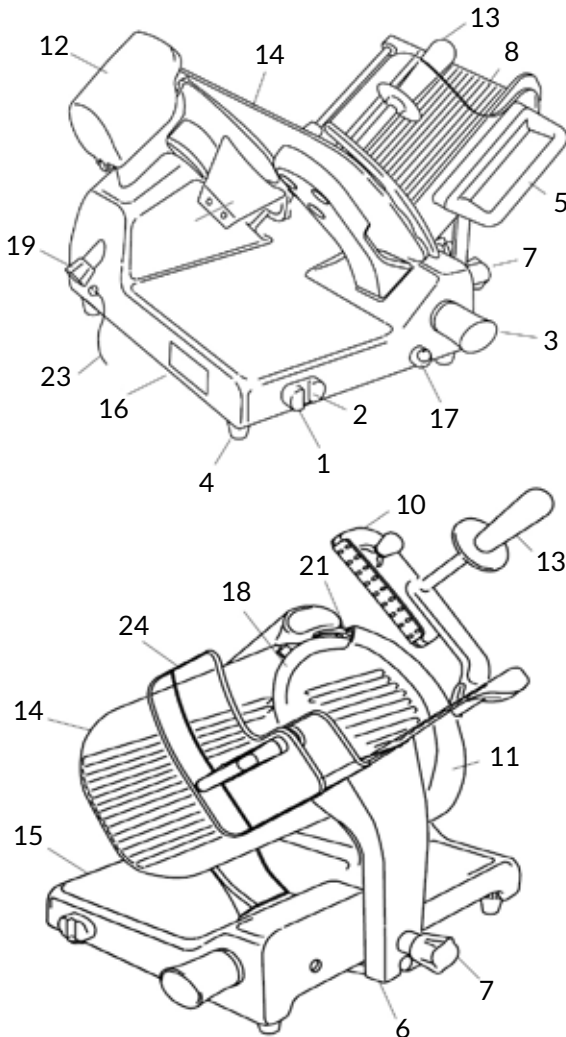


Fig. 2

## DESCRIPTION

---

Trancheuses professionnelles avec lame circulaire, conçues pour trancher exclusivement les produits alimentaires indiqués dans ce manuel et dans les limites dimensionnelles prévues. Les parties principales qui composent la machine sont illustrées sur la figure 2. Le schéma électrique est indiqué sur la figure 1.

## DÉCLARATION DE CONFORMITÉ

---

Les machines décrites dans ce manuel sont conformes aux directives 2006/42/CE, 2006/95/CE, 2004/108/CE, 2003/108/CE, 2011/65/CE, au règlement européen (EC) 1935/2004 et aux standards correspondants comme EN 1974:1998 +A1, EN60204-1, EN60335-1, EN60335-2-64.



## SÉCURITÉ

---

Faire attention aux instructions suivantes pour votre sécurité:

- lire attentivement toutes les instructions avant d'utiliser la machine;
- le produit n'est pas indiqué pour l'utilisation de la part des enfants;
- utiliser la machine seulement après s'être instruit sur son fonctionnement et si l'on se trouve dans des conditions d'aptitude physique et mentale parfaites;
- ne pas utiliser la machine de manière différente que celle indiquée dans ce manuel;
- installer la machine en conformité avec les instruc-

tions indiquées dans le paragraphe "Installation";

- utiliser la machine seulement en conditions d'efficacité structurelle, mécanique et d'installation parfaites
- installer la machine dans un lieu hors de portée de personnel étranger aux opérations relatives à l'utilisation, en particulier les mineurs;
- utiliser la machine de manière très concentrée, sans se distraire pendant l'utilisation;
- éviter l'utilisation de la part de personnel qui n'ait pas lu ni assimilé entièrement le contenu du présent manuel;
- ne pas porter de vêtements flottants ou avec des manches ouvertes;
- ne permettre à personne, hormis à l'opérateur, de s'approcher pendant la découpe du produit;
- ne pas retirer, couvrir ou modifier les plaques situées sur la structure de la machine et, en cas d'endommagement de celles-ci, les remplacer rapidement;
- ne pas retirer pas les protections transparentes et ne pas modifier ou retirer les protections mécaniques ou électriques;
- découper uniquement les produits autorisés, ne pas essayer de découper des produits interdits;
- maintenir la zone d'appui du produit découpé, la zone de travail tout autour de la machine et le sol au niveau de l'opérateur toujours propres et secs;
- ne pas utiliser la machine comme surface d'appui et ne poser aucun objet étranger aux opérations normales de découpe;
- ne pas utiliser la trancheuse

lorsqu'à la suite d'une utilisation normale, la distance entre le fil de la lame et l'anneau pare-lame a dépassé 6 mm dans ce cas contacter le fabricant ou l'un des centres de service autorisés pour changer la lame;

- ne pas utiliser la machine avec les branchements électriques de type "provisoire", à l'aide de câbles provisoires ou non isolés;
- contrôler régulièrement l'état du câble d'alimentation et du presse-étoupe sur la structure de la machine, remplacer le rapidement. Si besoin en s'adressant à du personnel qualifié pour l'intervention;
- arrêter immédiatement la machine en cas de défaut, de dysfonctionnement, de suspicion de casse, de mouvements incorrects, de bruit insolites;
- avant d'exécuter le nettoyage ou d'effectuer des interventions d'entretien, débrancher la machine du réseau d'alimentation électrique;
- utiliser des gants de protections pour les opérations de nettoyage et d'entretien;
- placer et retirer le produit à découper sur le plat coulissant uniquement avec le chariot entièrement reculé et avec la poignée de réglage de l'épaisseur placée en sécurité;
- pour le déplacement du plat porte-aliment pendant l'opération de découpe, utiliser uniquement la poignée de manœuvre placée sur le bras ou la prise du presse-aliment;
- l'utilisation d'accessoires pour la découpe qui n'ont pas été fournis par le fabricant avec la machine n'est pas autorisée.

Le fabricant décline toute responsabilité directe ou indi-

recte dérivant d'une utilisation inappropriée, de modifications et/ou réparations non autorisées effectuées sur la machine, d'utilisation d'accessoires et de pièces de rechange qui ne seraient pas d'origine.

La machine ne peut pas être utilisée dans des lieux ouverts et/ou exposée aux agents atmosphériques et dans des environnements contenant des vapeurs, des fumées ou des poussières corrosives et/ou abrasives, un risque d'incendie ou d'explosion et dans tous les cas, où l'utilisation de composants antidéflagrants est prescrite.

Conditions de service ambiantes:

- Température de -5 °C à +40°C
- Humidité max 95%

NE PAS TRANCHER:

- produits alimentaires congelés;
- produits alimentaires surgelés;
- produits alimentaires avec os (viandes et poissons);
- tout autre produit non destiné à une utilisation alimentaire.

## RISQUES RÉSIDUELS

L'anneau de sécurité autour de la lame est réalisé en conformité avec la norme européenne EN 1974:1998 +A1 toutefois, dans la zone d'aiguisage, cette protection n'élimine pas entièrement le risque de coupure.

**⚠ ATTENTION! Danger de coupe! Durant les opérations de nettoyage de la lame et d'aiguisage, faire extrêmement attention à garder les mains le plus loin possible de la zone non protégée. L'utilisation de gants de protection est conseillée.**

## INSTALLATION

Installer la machine à une hauteur maximum de 90 cm, sur un plan bien nivelé, lisse, sec et adapté pour soutenir le poids de la machine, en plus du produit à trancher.

**⚠ AVERTISSEMENT:** Vérifier que rien ne fasse obstacle à la course du plat et au chargement du produit à trancher sur le plat.

La machine doit être installée à proximité d'une prise au norme CEE dérivée d'une installation conforme aux normes en vigueur équipée de:

- protection magnétothermique;
- interrupteur automatique différentiel;
- installation de mise à la terre.

Avant de procéder au branchement, vérifier que les caractéristiques du réseau d'alimentation électrique correspondent avec celles indiquées sur la plaque des données de la machine.

**⚠ ATTENTION!** Pour les machines dotées de moteur triphasé, contrôler l'orientation de la lame. Après avoir vérifié que la lame est fermée en position de sécurité, appuyer sur le bouton de démarrage (1) pour démarrer la machine: en regardant la lame du côté du plat porte-aliment, s'assurer qu'elle tourne dans le sens anti-horaire, vers le bas, côté opérateur (Fig. B).

## UTILISATION DE LA TRANCHEUSE

## FONCTIONNEMENT MANUEL

**⚠ ATTENTION!** Lame aiguisée, danger de coupe! Contrôler que la poignée de réglage de l'épaisseur de la tranche (3) soit en position de sécurité (en position 0) (Fig. A).

- S'assurer que la machine soit éteinte, si ce n'est pas le cas appuyer sur le bouton d'arrêt (2);

- reculer complètement le plat porte-aliment (8) en direction de l'opérateur, en position de chargement;

- soulever le presse-aliment (10) et le placer en position de repos;

- placer le produit à découper sur le plat porte-aliment:

- **SLL 315-350-370, SLH**

**315-350-370** : éloigner le plat coulissant de la jauge d'épaisseur ; poser le produit à découper sur le plat contre la paroi du plat, côté opérateur ;

- **SLG 315-350-370** : poser le produit à découper sur le plat contre la paroi du plat porte-aliment, contre la paroi du plat, côté opérateur; bloquer avec le presse-aliment en exerçant une certaine pression ; dans les versions gravité, la marchandise s'appuiera contre la jauge en raison de son propre poids ;

- en utilisant la poignée prévue à cet effet (3), régler l'épaisseur de la tranche. Actionner la lame (18) en appuyant sur le bouton de démarrage (1). Empoigner le presse-aliment (13) et commencer le mouvement alterné de découpe;

- dans les modèles gravité, quand le poids du produit ou sa dimension ne permettent pas une découpe satisfaisante pour le seul effet de la gravité, utiliser la poignée du presse-aliment pour s'aider;

- une fois les opérations de découpe terminées, remettre en sécurité la poignée de réglage de l'épaisseur et reculer le charriot. Arrêter le mouvement de la lame en appuyant sur le bouton d'arrêt (2);
- éloigner le plat coulissant de la jauge d'épaisseur et décharger le produit.

## NETTOYAGE

Nettoyer soigneusement la machine. En cas d'utilisation, la nettoyer au moins une fois par jour ou plus fréquemment en cas de besoin. Après une période d'inactivité, il est recommandé de la nettoyer même avant de l'utiliser.

**⚠ ATTENTION! Danger de charge électrique! Avant de nettoyer la machine, débrancher la prise de courant et mettre la poignée de réglage de l'épaisseur de la tranche en sécurité.**

**⚠ ATTENTION! Lame aiguisée, danger de coupe! Contrôler que la poignée de réglage de l'épaisseur de la tranche (3) soit en position de sécurité (en position 0) (Fig.A).**

Produits pour le nettoyage:  
NE LAVÉ AUCUN COMPOSANT AU LAVE-VAISSELLE ! Utiliser exclusivement de l'eau et un détergent moussieux biodégradable pour vaisselle avec un pH 7-8, en utilisant un torchon doux, spongieux et une brosse à dent en nylon semi-rigide pour les zones du plat et du presse-aliment pointues. Ne pas nettoyer la machine avec des jets d'eau ou de vapeur ou méthodes équivalentes.

**Nettoyage du plat coulissant**

### **pour SLL 315-350-370, SLH 315-350-370**

- SLL 315-350-370 : tirer le plat coulissant en butée, un déclic métallique signale à l'opérateur que le plateau porte-produits est bloqué. Soulever complètement le plateau porte-produits (Fig. E-1) ; nettoyer le plat coulissant et répéter les opérations dans le sens inverse pour repositionner le plat coulissant.

- SLH 315-350-370 : desserrer la poignée de fixation du plateau porte-produits en la tournant dans le sens anti-horaire ; tirer le plat coulissant en butée, un déclic métallique signale à l'opérateur que le plateau porte-produits est bloqué. Éloigner le plat coulissant de la jauge d'épaisseur et soulever le presse-produits (Fig. F-1) ; nettoyer le plat coulissant et baisser le presse-produits ; soulever le plat coulissant et nettoyer le plateau porte-produits (Fig. F-2) ; débloquer le plateau porte-produits en tournant la poignée de fixation dans le sens horaire.

### **Retrait du plat porte-aliment (SLG 315-350-370)**

- Avec la poignée de réglage d'épaisseur de la tranche (3) en sécurité (Fig. A, Fig. D-1), reculer complètement le support du plat (6) jusqu'à la butée, vers l'opérateur (Fig. D-2) ;

- tourner complètement la poignée de blocage (7) dans le sens anti-horaire (Fig. D-3) en maintenant le support en butée, jusqu'à entendre l'intervention du dispositif de sécurité de blocage de la jauge d'épaisseur ;
- tirer vers le haut le plat porte-aliment en le retirant du support.

**⚠ ATTENTION ! S'assurer**

que le presse-aliment soit baissé sur le plat avant d'extraire le support du plat.

**⚠ ATTENTION !** Maintenir la poignée de réglage d'épaisseur de la tranche en position de sécurité "0".

### **Retrait du presse-aliment (SLG 315-350-370)**

Tourner la poignée et retirer le presse-aliment (Fig. G).

### **Retrait du disque couvre-lame (11)**

- En tournant dans le sens anti-horaire, desserrer la poignée du tirant couvre-lame (19) ;
- appuyer sur la poignée du tirant et soulever le disque couvre-lame pour l'enlever.

**⚠ ATTENTION !** Quand le disque couvre-lame est retiré, un dispositif de verrouillage arrête la rotation de la lame.

### **Retrait déflecteur de tranche (20)**

Desserrer la/les vis de fixation et retirer le déflecteur de tranche.

Pour les versions SLG : desserrer le pivot de blocage et tourner le déflecteur de tranche vers le bas pour le retirer du pivot.

### **Aiguiseur (12)**

Le nettoyer avec un chiffon humide, ne pas l'immerger sous l'eau.

Nettoyer ensuite:


- lame: presser un torchon humide sur la surface de la lame et le déplacer lentement du centre vers l'extérieur, comme sur la figure, sur le côté du couvre-lame et sur le côté op-

posé. De la même manière, sécher en utilisant un chiffon sec. **NE JAMAIS ALLUMER** la machine durant les nettoyages;

- anneau de sécurité: utiliser une brosse à dent en nylon semi-rigide pour nettoyer la zone comprise entre la lame et l'anneau de protection. Faire attention à ne pas trop approcher les mains de la lame;


- structure machine: nettoyer la structure de la machine avec un torchon humide ou une éponge en rinçant avec de l'eau. Sécher avec soin;

- l'aiguiseur: 1) nettoyer la structure avec un chiffon humide et les ressorts avec une brosse à dent en nylon semi-rigide ; 2) ne pas immerger l'aiguiseur dans l'eau. Le ressort d'aiguisage peut être facilement extrait de l'aiguiseur, le retirer en suivant le sens de la flèche (Fig. I). Il est conseillé de conserver le ressort propre pour un aiguisage correct. Retirer la saleté et la graisse avec de l'alcool et une brosse à dent en nylon semi-rigide.

 **ATTENTION !** Nettoyer une à une toutes les parties démontées avec de l'eau tiède et un produit à vaisselle **NON AGRESSIF** en utilisant un goupillon ou un chiffon. Rincer sous l'eau chaude et sécher.

Effectuer le montage en suivant les indications décrites dans le sens inverse

## RETRAIT DE LA LAME

 **ATTENTION !** Utiliser uniquement des dispositifs d'origine !

 **ATTENTION !** Danger de coupe ! Utiliser seule-

ment après avoir lu attentivement les instructions d'utilisation fournies avec l'appareil.

En cas d'achat de dispositif d'extraction de la lame, pour le retrait de la lame il est recommandé de suivre attentivement les instructions d'utilisation correspondantes, fournies avec l'appareil.

## ENTRETIEN

### Aiguisage


Fréquence et durée de l'aiguisage dépendent de l'utilisation de l'appareil.

Avant d'aiguiser:

1. s'assurer que la machine soit éteinte;
2. s'assurer que les ressorts et la lame soient propres;
3. placer de manière sécurisée la poignée de réglage d'épaisseur de la tranche;
4. reculer entièrement le plat porte-aliment.

Suivre les instructions pour effectuer l'aiguisage :

- Soulever la couverture de protection du dispositif d'aiguisage. Tirer la poignée de déblocage du dispositif (Fig. M-1) et la tourner en direction de la lame (Fig. M-2). Le dispositif d'aiguisage se bloquera en position correcte. Appuyer sur le bouton de démarrage pour allumer la machine. Tourner modérément le levier, en plaçant les deux ressorts au contact de la lame pendant 10-15 secondes (Fig. M-3). L'aiguisage et l'ébarbage se font simultanément. Appuyer sur le bouton d'arrêt et tirer la poignée du dispositif pour la remettre en position de départ. Baisser la couverture de protection du dispositif d'aiguisage.

 **ATTENTION !** Le ressort d'aiguisage peut être facilement extrait de l'aiguiseur, en le retirant en suivant le sens de la flèche (Fig. I). Il est conseillé de conserver le ressort propre pour un aiguisage correct. Retirer la saleté et la graisse avec de l'alcool et une brosse à dent en nylon semi-rigide

### Lubrification

Après une période d'utilisation régulière, il pourrait être nécessaire de lubrifier les guides du chariot. On conseille d'effectuer cette opération une fois par mois. Utiliser seulement de l'huile sans acide (on conseille huile de vaseline). Ne pas utiliser d'huile végétale.

Pour lubrifier la machine, suivre les indications suivantes: 1) déplacer le chariot le plus près possible de l'opérateur; 2) introduire le graisseur dans le trou prévu et appuyer pour verser une petite quantité d'huile; 3) retirer le graisseur et faire glisser le chariot 2-4 fois.


## ASSISTANCE

Les pièces de rechange ne sont pas fournies à l'intérieur de l'emballage. Toutes les activités de réparation et remplacement (comme le remplacement ou la réparation de lame, courroie, composants électriques, parties structurelles, etc.) doivent être effectuées exclusivement par du personnel autorisé par le fabricant même.

Si une réparation est nécessaire, il est recommandé de retourner la machine au fabricant ou à un centre d'assistance agréé.

Pour des informations concernant les centres d'assistance,

contacter:  
service@berkelinternational.com.

 **ATTENTION! Il est obligatoire de remplacer la lame quand la distance entre le fil de la lame et le bord interne de la protection dépasse 6 mm.**

## **GARANTIE ET RESPONSABILITÉ**

---

La fabricant fournit les machines avec une garantie de 24 mois, à partir de la date d'achat. La garantie couvre seulement les défauts rencontrés durant une utilisation appropriée de la machine et conformément aux conditions d'utilisation prévues par le manuel. La garantie ne couvre pas les défauts liés au transport, incompetence ou négligence de l'acheteur, installation ou mauvais positionnement, dommages par usure, tension supérieure à 10% de la valeur nominale. De plus, la garantie ne couvre pas les composants intrinsèquement sujets à l'usure, comme la lame et les ressorts de l'aiguiseur, exception faite pour un défaut évident de fabrication.

Le fabricant décline toute responsabilité directe ou indirecte dérivant de:

- manque d'observation des instructions présentes dans le manuel;
- utilisation non conforme aux normes spécifiques en vigueur dans le pays d'installation;
- modifications et/ou réparations non autorisées effectuées sur la machine;
- utilisation d'accessoires et de pièces de rechange non originales;
- événements exceptionnels.

Le transfert de propriété de la machine comporte l'annu-

lation immédiate de toute responsabilité de la part du fabricant, exception faite en ce qui concerne le respect de la directive 2006/42/CE (responsabilité pour tout défaut de fabrication du produit).

La plaque d'identification sur la base de la machine enregistre le fabricant, la machine, les informations techniques et la marque CE.

## **DÉMOLITION ET ÉLIMINATION**

---

La machine est composée de:

- alliage en aluminium;
- pièces et composants variés en acier inoxydable;
- parties et câbles électriques;
- moteur électrique;
- plastique, etc.

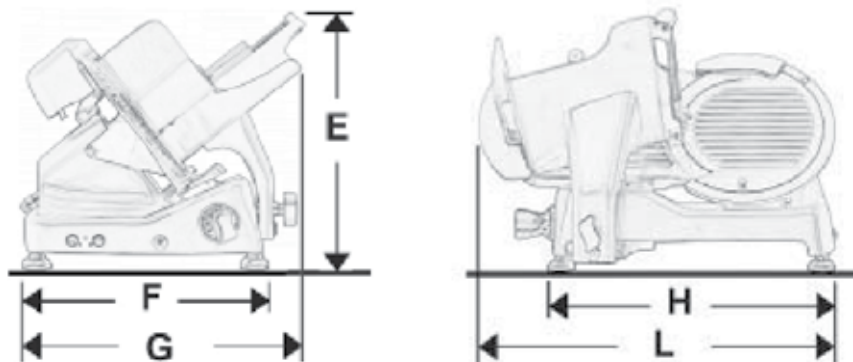
Si l'élimination est confiée à des tiers, contacter seulement des centres autorisés pour l'élimination des matériaux indiqués ci-dessus. Le dispositif est conforme aux directives EU 2012/19/UE. Le dispositif contient des matériaux pouvant être récupérés ou recyclés. Un tri sélectif correct facilite le recyclage. En fin de vie, déposer le dispositif auprès d'un point de collecte. Des informations concernant l'élimination peuvent être obtenues auprès des autorités locales.



## Résolution problèmes

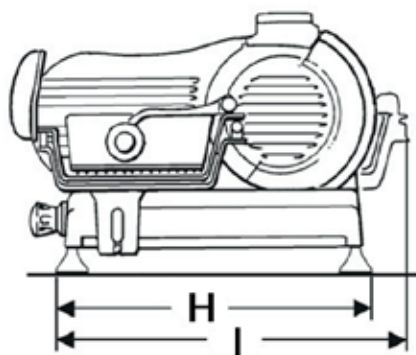
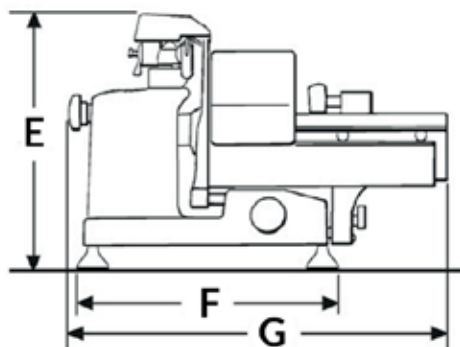
PROBLÈME	CAUSE PROBABLE	REMÈDE
En appuyant sur le bouton de démarrage, la machine ne démarre pas	Alimentation absente ou circuit de contrôle défectueux	Contrôler que la fiche soit correctement introduite dans la prise, si le problème persiste contacter le centre assistance
En appuyant sur le bouton de démarrage la machine démarre mais le voyant lumineux de fonctionnement ne s'allume pas	Voyant défectueux	Ne pas utiliser la machine avec l'indicateur lumineux éteint. Appeler le service assistance
Résistance excessive à la découpe du produit	La lame n'est pas aiguisée	Aiguiser la lame
La lame sous effort ralentit ou s'arrête	La courroie pourrait être desserrée ou endommagée	Contactez le service assistance pour régler ou remplacer la courroie
En appuyant sur le bouton d'arrêt, la machine ne s'arrête pas	Circuit de commande défectueux	Arrêter immédiatement la machine en débranchant la fiche de la prise de courant et contacter immédiatement le centre assistance
Résistance excessive au mouvement des composants coulissants (presse-aliment, chariot)	Lubrification guides de coulissement non effectuée périodiquement	Effectuer la lubrification périodique

## SLG 315 - 350-370



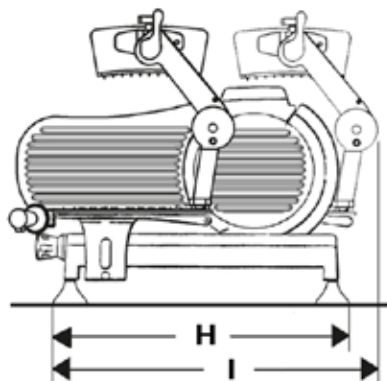
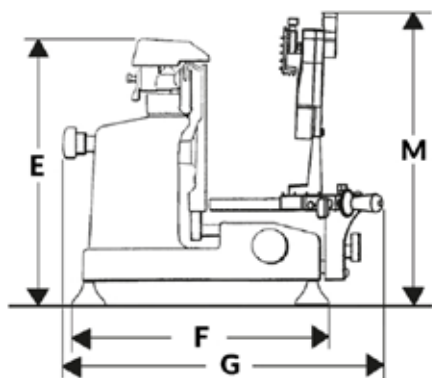
MODÈLE	SLG315	SLG350	SLG370
E	500 mm	540 mm	540 mm
F	420 mm	490 mm	490 mm
G	740 mm	800 mm	800 mm
H	525 mm	615 mm	615 mm
L	750 mm	800 mm	890 mm
SPÉCIFICATIONS			
∅ lame	315 mm	350 mm	370 mm
Epaisseur de coupe	0 -14	0 -14	0 -14
Poids net	32 kg	44 kg	49 kg
Capacité de découpe (rect.)	255x160h	300x195h	300x210h
Capacité de découpe (circ.)	205 mm	250 mm	265 mm
Puissance moteur	0,25   0,30 kW	0,30   0,35 kW	0,30   0,35 kW
Caractéristiques électriques	230/50/1 - 400/50/3 V - Hz		

SLH 315 - 350 - 370



MODÈLE	SLH315	SLH350	SLH370
E	515 mm	550 mm	560 mm
F	450 mm	460 mm	530 mm
G	650 mm	710 mm	800 mm
H	560 mm	570 mm	640 mm
I	670 mm	670 mm	750 mm
SPÉCIFICATIONS			
ø lame	315 mm	350 mm	370 mm
Épaisseur de coupe	0-24	0-24	0-24
Poids net	38 kg	45 kg	56 kg
Capacité de découpe (rect.)	270x225h	320x270h	370x260h
Capacité de découpe (circ.)	225 mm	270 mm	260 mm
Puissance moteur	0,30   0,35 kW	0,30   0,35 kW	0,30   0,35 kW
Caractéristiques électriques	120/60/1 - 220/60/1 - 230/50/1 - 400/50/3 V - Hz	120/60/1 - 220/60/1 - 400/50/3 V - Hz	120/60/1 - 230/50/1 - 400/50/3 V - Hz

SLL 315 - 350 - 370



MODÈLE	SLL315	SLL350	SLL370
E	510 mm	550 mm	560 mm
F	450 mm	450 mm	530 mm
G	640 mm	670 mm	720 mm
H	560 mm	590 mm	640 mm
I	650 mm	710 mm	800 mm
M	670 mm	680 mm	670 mm
SPÉCIFICATIONS			
∅ lame	315 mm	350 mm	370 mm
Épaisseur de coupe	0-14	0-14	0-14
Poids net	40 kg	45 kg	56 kg
Capacité de découpe (rect.)	290x225h	320x270h	350x280h
Capacité de découpe (circ.)	225 mm	270 mm	280 mm
Puissance moteur	0,30   0,35 kW	0,30   0,35 kW	0,30   0,35 kW
Caractéristiques électriques	120/60/1 V - Hz   220/60/1 V - Hz 230/50/1 V - Hz   400/50/3 V - Hz		

Remarque: En raison de la recherche continue pour améliorer nos produits, les spécifications techniques sont sujettes à des possibles variations.

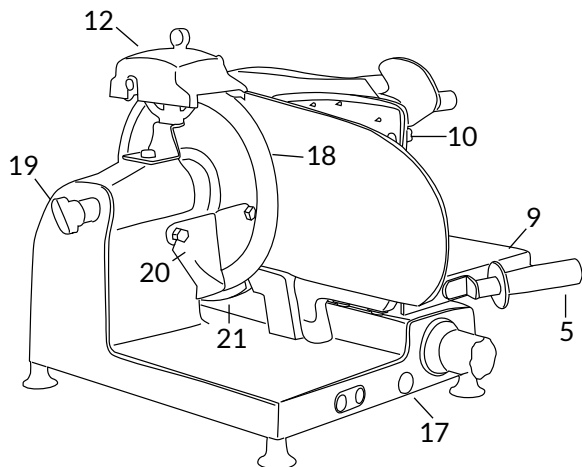
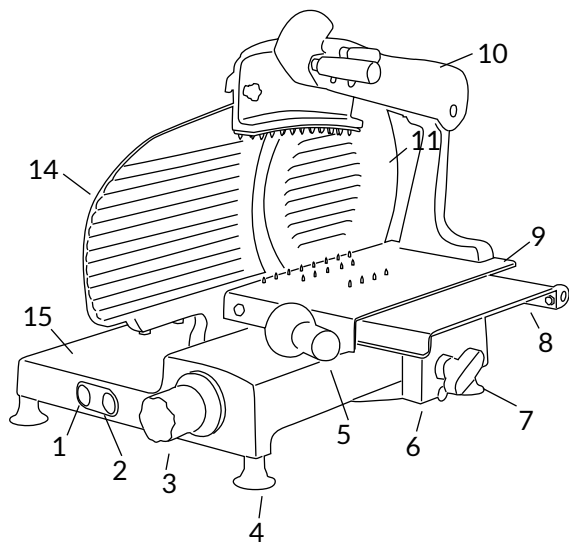
## NÁVOD K POUŽITÍ: Elektrické kráječe Domina

SLL 315 - 350 - 370 | SLH 315 - 350 - 370 | SLG 315 - 350 - 370

## SLL 315 - 350 - 370

## ČÁSTI STROJE

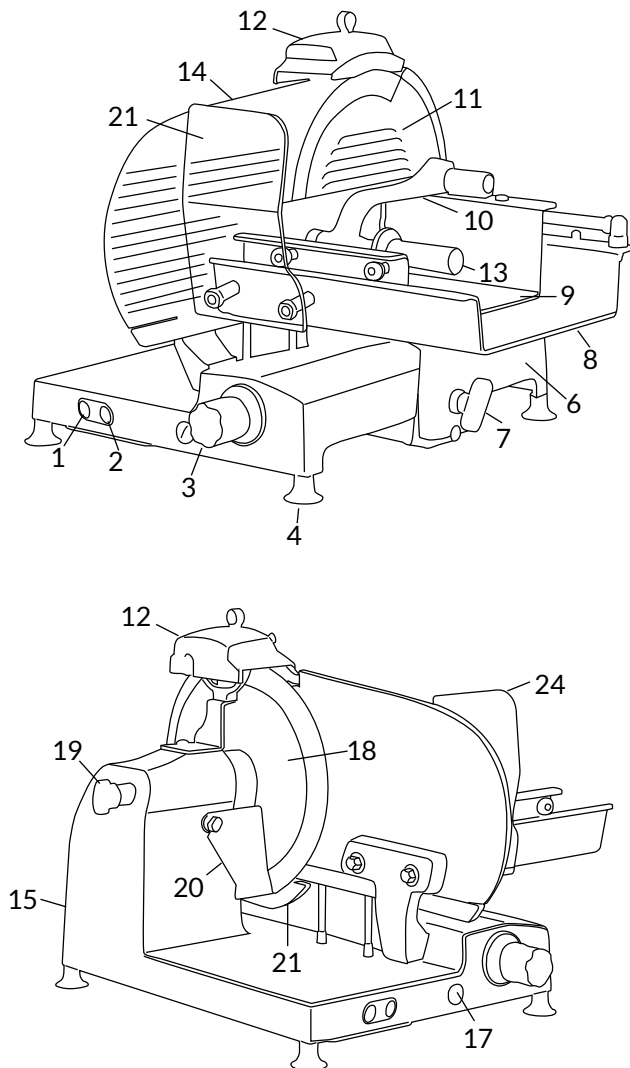
1. Spouštěcí tlačítko
2. Vypínací tlačítko
3. Rukojeť na regulaci tloušťky plátky
4. Nožka
5. Rukojeť tlačného prvku desky
6. Podpěra desky
7. Rukojeť k zablokování desky
8. Nosná deska
9. Posuvná horní deska
10. Přítlačný prvek
11. Kryt nože (kryt nože)
12. Brousek
14. Deska tloušťkoměru (plachta)
15. Základna
17. Maznice k mazání vodicích prvků
18. Nůž
19. Táhlo krytu nože
20. Kryt plátků
21. Bezpečnostní kroužek



## SLH 315 - 350 - 370

### ČÁSTI STROJE

1. Spouštěcí tlačítko
2. Vypínací tlačítko
3. Rukojeť na regulaci tloušťky plátku
4. Nožka
6. Podpěra desky
7. Rukojeť k zablokování desky
8. Nosná deska
9. Posuvná horní deska
10. Přítlačný prvek
11. Kryt nože (kryt nože)
12. Brousek
13. Rukojeť přítlačného prvku
14. Deska tloušťkoměru (plachta)
15. Základna
17. Maznice k mazání vodicích prvků
18. Nůž
19. Táhlo krytu nože
20. Kryt plátků
21. Bezpečnostní kroužek
24. Bezpečnostní kryt desky

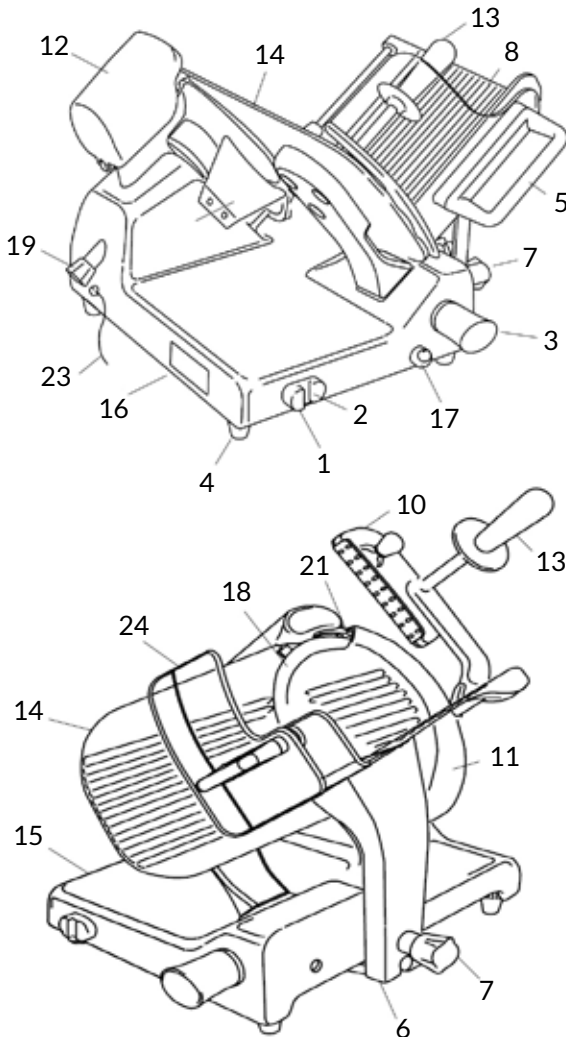


Obr. 2

## SLG 315 - 350 -370

### ČÁSTI STROJE

1. Spouštěcí tlačítko
2. Vypínací tlačítko
3. Rukojeť na regulaci tloušťky plátku
4. Nožka
5. Rukojeť tlačného prvku desky
6. Podpěra desky
7. Rukojeť k zablokování desky
8. Nosná deska
10. Přítlačný prvek
11. Kryt nože (kryt nože)
12. Brousek
13. Rukojeť přítlačného prvku
14. Deska tloušťkoměru (plachta)
15. Základna
16. Identifikační štítek, Technické údaje, Označení CE
17. Maznice k mazání vodicích prvků
18. Nůž
19. Táhlo krytu nože
20. Kryt plátek
21. Bezpečnostní kroužek
22. Zarážka
23. Napájecí kabel
24. Bezpečnostní kryt desky



## POPIS

Profesionální nářezové stroje s kruhovým ostřím navrženy výhradně ke krájení potravinářských výrobků určeného typu a rozměrů uvedených v tomto návodu. Hlavní části, z nichž se stroj skládá, jsou znázorněny na obrázku 2. Elektrické schéma je znázorněno na obrázku 1.

## PROHLÁŠENÍ O SHODĚ

Stroje popsané v tomto návodu jsou v souladu se směrnici 2006/42/ES, 2006/95/ES, 2004/108/ES, 2003/108/ES, 2011/65/ES, evropským nařízením (ES) 1935/2004 a příslušnými standardy EN 1974:1998+A1, EN60204-1, EN60335-1, EN60335-2-64.



## BEZPEČNOST

Pro vaši bezpečnost dodržujte následující pokyny:

- Před použitím stroje si pozorně přečtěte celý návod;
- výrobek není určen k použití dětmi;
- používejte stroj pouze tehdy, jste-li řádně poučeni a v perfektním psycho-fyzickém stavu;
- nepoužívejte stroj jiným způsobem než tím, který je uveden v tomto návodu;
- instalujte stroj v souladu s pokyny uvedenými v odstavci „Instalace“;
- používejte stroj, pouze pokud nejsou porušeny žádné jeho konstrukční, mechanické ani jiné části;
- instalujte stroj mimo dosah pracovníků, kteří nejsou pověřeni jeho používáním, a zejména mimo dosah nezletilých osob;
- při používání stroje buďte kon-

- centrovaní a nerozptylujte se;
- zamezte použití ze strany pracovníků, kteří si důkladně neprostudovali obsah tohoto návodu a neporozuměli mu;
- nenoste vlající oděv ani šaty s otevřenými rukávy;
- nikomu kromě obsluhy nedovolujte, aby se během krájení výrobků přibližoval ke stroji;
- neodstraňujte, nezakrývejte ani neupravujte štítky umístěné na tělesu stroje a v případě jejich poškození je neprodleně vyměňte;
- neodstraňujte průhledné kryty a nepravujte ani nevyfázujte z činnosti mechanické a elektrické ochranné prvky;
- krájejte výhradně povolené výrobky, nepokoušejte se krájet zakázané výrobky;
- udržujte prostor, na němž spočívá krájený výrobek, pracovní prostor v okolí stroje a podlahu, na níž pracovník stojí, vždy čisté a suché;
- nepoužívejte stroj jako opěrnou plochu a nepokládejte na něj žádné cizí předměty, které nejsou určeny k nakrájení;
- nepoužívejte kráječ, pokud vzdálenost mezi ostřím nože a krycím kruhovým chráničem nože v důsledku běžného opotřebení překročila 6 mm. V tomto případě kontaktujte výrobce nebo jedno z autorizovaných servisních středisek za účelem výměny nože;
- nepoužívejte stroj s neodborně provedenou elektroinstalací, s provizorními nebo nezaizolovanými kabely;
- pravidelně kontrolujte stav napájecího kabelu a kabelové spojky na tělesu stroje; v případě poškození je neprodleně vyměňte. Je-li to nutné, obraťte se na kvalifikované pracovníky;
- v případě závady, špatného fungování, podezření na po-

škození, nesprávných pohybů a nezvyklého hluku stroj okamžitě vypněte;

- před vyčištěním nebo provedením údržby stroj odpojte od elektrického napájení;
- při čištění a údržbě použijte ochranné rukavice;
- zboží umísťujte na posuvnou desku a odstraňujte z něj pouze tehdy, je-li posuvný suport posunut úplně dozadu a rukojeť na regulaci tloušťky v bezpečnostní poloze;
- k pohybu nosné desky během krájení používejte výhradně manipulační rukojeť umístěnou na rameni nebo držadlo přítlačného prvku;
- není přípustné používat kráječ příslušenství, které nebylo dodáno výrobcem spolu se stroje.

Výrobce odmítá veškerou přímou i nepřímou odpovědnost vyplývající z nesprávného používání stroje, neoprávněných úprav a/nebo oprav stroje a používání neoriginálního příslušenství a náhradních dílů.

Stroj se nesmí používat v otevřených prostorech a/nebo tam, kde by byl vystaven povětrnostním vlivům, a v prostředí, kde se vyskytují výpary, kouř nebo korozivní a/nebo abrazivní prach, v nichž hrozí riziko požáru či výbuchu, a každopádně tam, kde se musí používat prostředky na ochranu před výbuchem.

Provozní podmínky prostředí:

- Teplota od -5° C do +40° C
- Max. vlhkost 95%

NEKRÁJEJTE:

- mražené potravinářské výrobky;
- hluboce mražené potravinářské výrobky;
- potravinářské výrobky s kostmi (maso a ryby);
- jakékoli jiné výrobky, které nejsou určeny k potravinářskému



použití.

## ZBYTKOVÁ RIZIKA

Kruhový chránič nacházející se kolem nože je vyroben v souladu s evropskou normou EN 1974:1998 +A1, avšak ochrana v prostoru broušení úplně nebrání riziku pořezání.

**! POZOR! Nebezpečí pořezání! Během čištění a broušení věnujte maximální pozornost tomu, abyste ruce udržovali co nejdále od nechráněného prostoru. Doporučujeme, abyste použili ochranné rukavice.**

## INSTALACE

Instalujte stroj v maximální výšce 90 cm, na dobře nivelizované, hladké, suché ploše, která je schopna unést váhu stroje i krájených výrobků.

**! UPOZORNĚNÍ:** Zkontrolujte, zda nic nebrání pohybu desky a položení výrobku na desku.

Stroj musí být instalován v bezprostřední blízkosti zásuvky, která je v souladu s normami EHS a která je součástí elektrozařízení vyhovujícího platným předpisům, jež je vybaveno:

- jističem;
- proudovým chráničem;
- uzemněním.

Před zapojením zkontrolujte, zda vlastnosti elektrické napájecí sítě souhlasí s údaji uvedenými na štítku stroje.

**! POZOR!** U strojů vybavených třífázovým motorem zkontrolujte směr nože. Poté, co jste si ověřili, že je nůž uzavřen v bezpečnostní poloze, pro za-

pnutí stroje stiskněte spouštěcí tlačítko (1); sledujte nůž ze strany nosné desky a ujistěte se, že se otáčí proti směru hodinových ručiček, směrem dolů z pohledu obsluhy (Obr. B).

## POUŽITÍ KRÁJEČE

### MANUÁLNÍ PROVOZ:

**! POZOR!** Ostrý nůž, nebezpečí pořezání! Zkontrolujte, zda je rukojeť na regulaci tloušťky plátku (3) v bezpečnostní poloze (v poloze 0) (Obr. A).

- Ujistěte se, že je stroj vypnutý, v opačném případě stiskněte vypínací tlačítko (1);

- posuňte nosnou desku úplně dozadu (8) směrem k obsluze, do nakládací polohy;

- zvedněte přítlačný prvek (10) a uveďte ho do klidové polohy;

- potravinu k nakrájení umístěte na krájecí desku:

- **SLL 315-350-370, SLH 315-350-370:** odsuňte posuvný talíř od plochy tloušťkoměru;

položte výrobek, který chcete nakrájet, na talíř do blízkosti jeho okraje na straně obsluhy;

- **SLG 315-350-370:** položte výrobek, který chcete nakrájet, na talíř proti stěně nosné desky do blízkosti jejího okraje na straně obsluhy; zablokujte pomocí přítlačného prvku s vyvinutím mírného tlaku; u gravitačních verzí výrobek bude na desku tlačit vlastní vahou;

- s použitím příslušné rukojeti (3) upravte tloušťku plátku. Stisknutím spouštěcího tlačítka (1) aktivujte nůž (18). Uchopte rukojeť přítlačného prvku (13) a střídavým pohybem nahoru dolů zahajte krájení;

- Pokud u gravitačních modelů hmotnost nebo rozměry výrobku neumožňují uspokojivé krájení pouze vlivem gravitace,

pomozte si použitím přítlačného prvku;

- po dokončení krájení vraťte rukojeť pro regulaci tloušťky do bezpečnostní polohy a zasuňte posuvný suport. Stisknutím vypínacího tlačítka (2) zastavte pohyb nože.

## ČIŠTĚNÍ

Udržujte stroj vždy čistý. Pokud je používán, musí být čistěn aspoň jednou za den nebo v případě potřeby i častěji. Není-li stroj po delší dobu používán, doporučujeme ho vyčistit i před použitím.

**! POZOR! Nebezpečí úrazu elektrickým proudem! Před vyčištěním stroje odpojte zástrčku ze síťového napájení a uveďte rukojeť pro regulaci tloušťky do bezpečnostní polohy.**

**! POZOR!** Ostrý nůž, nebezpečí pořezání! Zkontrolujte, zda je rukojeť na regulaci tloušťky plátku (3) v bezpečnostní poloze (v poloze 0) (Obr. A).

Čisticí přípravky:

**ŽÁDNOU ČÁST STROJE NEMYJTE V MYČCE!** Použijte výhradně vodu a biologicky rozložitelný pěnivý čisticí prostředek na nádobí s PH 7-8, měkký houbovitý hadr a polotvrdý nylonový kartáček na prostor desky a ostré části přítlačného prvku. Nečistěte stroj proudy vody či páry ani žádným podobným způsobem.

**Čištění posuvného talíře SLL 315-350-370, SLH 315-350-370**

- SLL 315-350-370: zatlačte posuvný talíř až na doraz, zacvaknutí upozorní obsluhu, že je nosná deska zablokována. Zcela

zvedněte nosnou desku (Obr. E-1); vyčistěte posuvný talíř a pro opětovné umístění posuvného talíře zopakujte daný postup v opačném sledu;


- SLH 315-350-370: uvolněte blokovací držadlo nosné desky jeho otáčením proti směru hodinových ručiček; zatlačte posuvný talíř až na doraz, zacvaknutí upozorní obsluhu, že nosná deska je zablokována. Odsuňte posuvný talíř od plochy tloušťkoměru a zvedněte přítlačný prvek (Obr. F-1); vyčistěte posuvný talíř a posuňte přítlačný prvek dolů; zvedněte posuvný talíř a vyčistěte nosnou desku (Obr. F-2); odblokujte nosnou desku otáčením blokovacího držadla po směru hodinových ručiček.


### **Odstanění nosné desky (SLG 315-350-370)**

- s rukojetí pro regulaci tloušťky plátku (3) v bezpečnostní poloze (obr. A, obr. D-1) posuňte podpěru talíře (6) úplně dozadu až nadoraz, směrem k obsluze (obr. D-2);

- úplně otočte blokovací rukojeť (7) proti směru hodinových ručiček (obr. D-3) a nechte podpěru v dorazu, dokud neuslyšíte, že zasáhlo bezpečnostní blokovací zařízení plochy tloušťkoměru;

- vysuňte nosnou desku směrem nahoru a sejměte ji z podpěry.

 **POZOR!** Před vyjmutím podpěry desky se ujistěte, že je přítlačný prvek spuštěný na desce.

 **POZOR!** Ponechte rukojeť pro regulaci tloušťky plátku v bezpečnostní poloze „0“.


### **Odstanění přítlačného prvku (SLG 315-350-370)**

otočte rukojeť a sejměte přítlačný prvek (obr. G).

### **Odstanění krycího kotouče nože (11)**

- uvolněte rukojeť táhla krytu nože (19) jejím otočením proti směru hodinových ručiček;

- potlačte na rukojeť táhla a zvedněte krycí kotouč nože, abyste jej mohli odstranit.

 **POZOR!** Po odstranění krycího kotouče nože rotaci nože zablokuje blokovací zařízení.

### **Odstanění krytu plátku (20)**

Uvolněte upevňovací šroub/šrouby a odstraňte kryt plátku.

U gravitačních verzí SLG: uvolněte blokovací čep a otočte krytem plátku směrem dolů, abyste ho mohli sejmut z čepu.

### **Brousek (12)**

Těleso očistěte vlhkým hadrem, neponořujte do vody.

Pokračujte vyčištěním:


- nože: umístěte na povrch nože vlhký hadr a pomalu jím pohybujte ze středu směrem ven ke krytu nože a na opačnou stranu jako na obrázku. Stejným způsobem ho vysušte s použitím suchého hadru. Během čištění NIKDY stroj NESPOUŠTĚJTE;

- kruhový chránič: pro vyčištění prostoru mezi nožem a kruhovým chráničem použijte polotvrdý nylonový kartáček. Dávejte pozor, abyste se rukama příliš nepřiblížili k noži;

- těleso stroje: těleso stroje vyčistěte vlhkým hadrem nebo houbou a opláchněte vodou. Pečlivě osušte;


- brousek: 1) těleso očistěte vlhkým hadrem a kotouče polotvrdým nylonovým kartáčkem; 2) neponořujte brousek do vody. Brusný kotouč lze snadno z brusné jednotky odstranit jeho vyjmutím ve směru šipky (obr. I). Doporučujeme, abyste pro


správné nabroušení kotouč udržovali čistý. Nečistoty a mastnotu odstraňte s použitím alkoholu a nylonového kartáčku se středně pevnými štětinami.

 **POZOR!** Jednotlivé demontované části omyjte vlažnou vodou a NEAGRESIVNÍM čisticím přípravkem na nádobí, za použití kartáčku nebo hadru. Opláchněte teplou vodou a osušte.

Pro opětovnou montáž zopakujte popsané úkony v opačném sledu.

## **ODSTRANĚNÍ NOŽE**

 **POZOR!** Použijte pouze originální zařízení!

 **POZOR!** Nebezpečí porážení! Smí se používat až po pečlivém přečtení návodu k použití dodaného spolu se zařízením.

## **ÚDRŽBA**

### **Broušení**

Intervaly broušení a trvání nabroušení závisí na tom, jak často se stroj používá.

Před zahájením broušení:

1. ujistěte se, že je stroj vypnut;
2. ujistěte se, že jsou kotouče a nůž čisté;
3. umístěte rukojeť na regulaci tloušťky plátku do bezpečnostní polohy;
4. posuňte nosnou desku úplně dozadu.

Při broušení dodržujte uvedené pokyny:

- Zvedněte ochranný kryt brousku. Zatáhněte za rukojeť pro odblokování zařízení (Obr. M-1) a otočte jej ve směru nože (Obr. M-2). Brousek se zablokuje ve správné poloze. Stiskněte tlačítko pro zapnutí stroje. Mírně

otočte páčkou a na 10-15 vteřin uveďte dva brusné kotouče do styku s nožem (Obr. M-3). Nabroušení a odstranění otřepů probíhá současně. Stiskněte tlačítko pro zastavení a zatáhněte za rukojeť zařízení tak, aby se vrátilo do původní polohy. Snižte ochranný kryt brousku.

**! POZOR!** Brusný kotouč lze snadno z brusné jednotky odstranit jeho vyjmutím ve směru šipky (Obr. I). Doporučujeme, abyste pro správné nabroušení kotouč udržovali čistý. Nečistoty a mastnotu odstraňte s použitím alkoholu a nylonového kartáčku se středně pevnými štětini.

### Mazání

Po jisté době používání by mohlo být nutné promazat vodící prvky posuvného suportu. Doporučujeme, abyste to dělali jednou za měsíc. Použijte výhradně nekyselý olej (doporučujeme vazelinový olej). Nepoužívejte rostlinný olej.

Při promazávání stroje postupujte podle následujících pokynů: 1) posuňte posuvný suport co nejlíže k obsluze; 2) vložte maznici do příslušného otvoru a stlačte ji tak, aby vyteklo malé množství oleje; 3) odstraňte maznici a posuňte posuvný suport 2-4krát tam a zpátky.

### SERVIS

V balení nejsou dodávány náhradní díly. Všechny opravy a výměny (např. výměna či oprava nože, řemenu, elektrických komponentů, konstrukčních prvků atd.) musí být provedeny výhradně pracovníky pověřenými výrobcem.

V případě, že je nutné provést opravu, doporučujeme, abys-

te stroj zaslali výrobcí nebo do autorizovaného servisního střediska.

Informace týkající se servisních středisek jsou k dispozici na: [service@berkelinternational.com](mailto:service@berkelinternational.com).

**! POZOR!** Pokud vzdálenost mezi ostřím nože a vnitřní hranou krytu překročí 6 mm, nůž se musí vyměnit.

### ZÁRUKA A ODPOVĚDNOST

Výrobce na stroje poskytuje záruku v trvání 24 měsíců počínaje datem zakoupení. Záruka se vztahuje pouze na vady zjištěné během správného používání v souladu s pokyny uvedenými v návodu. Záruka se nevztahuje na vady způsobené během přepravy, nezpůsobilostí nebo nedbalostí kupujícího, nesprávnou instalací či umístěním, poškozením v důsledku opotřebení a použitím napětí, které o více než 10 % překračuje stanovenou nominální hodnotu. Záruka se dále nevztahuje na komponenty podléhající opotřebení, tzn. na nůž a kotouče brousku, kromě zřejmých výrobních vad.

Výrobce odmítá veškerou přímou i nepřímou odpovědnost vyplývající z:

- nedodržování pokynů uvedených v návodu;
- nesprávného použití v rozporu s předpisy platnými v zemi instalace;
- provedení neoprávněných úprav nebo oprav stroje;
- použití neoriginálního příslušenství a náhradních dílů;
- výjimečných událostí;

V okamžiku převodu vlastnictví stroje výrobce okamžitě pozbývá veškeré odpovědnosti s výjimkou dodržení ustanovení

směrnice 2006/42/ES (odpovědnost za jakoukoli výrobní vadu výrobku).

Na identifikačním štítku umístěném na základně stroje je uveden výrobce, název stroje, technické informace a označení CE.

### DEMOLICE A LIKVIDACE

Stroj se skládá z:

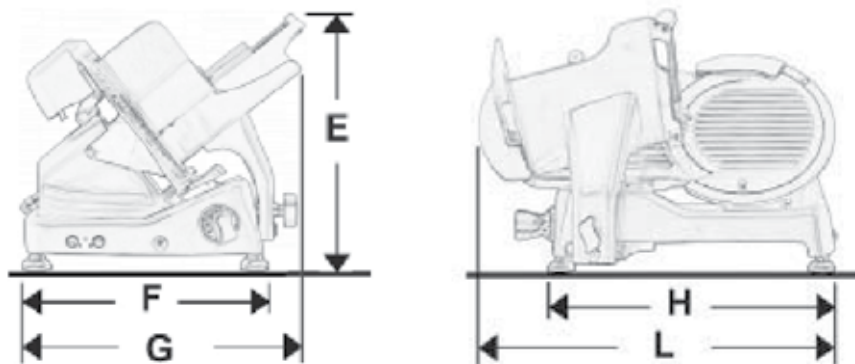
- hliníkové slitiny;
- různých složek a komponentů z nerezové oceli;
- elektrických částí a elektrických kabelů;
- elektromotoru;
- plastu atd.

Pokud je zneškodněním pověřena třetí strana, obraťte se výhradně na firmu oprávněnou provádět likvidaci výše uvedených materiálů. Stroj je v souladu se směrnici 2012/19/EU. Obsahuje materiály, které lze znovu použít či recyklovat. Recyklaci usnadňuje správné třídění odpadu. Po skončení životnosti odevzdejte stroj do sběrného střediska. Informace o likvidaci lze získat u místních orgánů.

## Řešení problémů

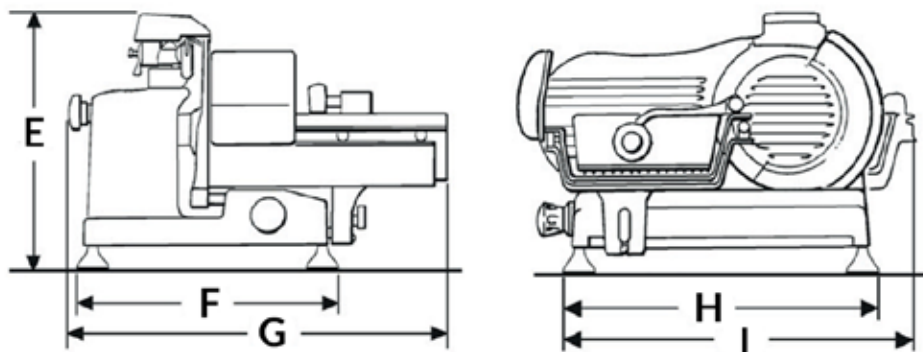
PROBLÉM	PRAVDĚPODOBNÁ PŘÍČINA	ODSTRANĚNÍ PROBLÉMU
Stroj se po stisknutí spouštěcího tlačítka nespustí	Výpadek napájení nebo vadný kontrolní okruh	Zkontrolujte, zda je správně vložena zástrčka; pokud problém přetrvává, kontaktujte servisní středisko
Po stisknutí spouštěcího tlačítka se stroj spustí, ale nerozsvítí se světelná kontrolka signalizující uvedení do chodu	Vadná kontrolka	Nepoužívejte stroj, pokud světelná kontrolka nesvítí. obraťte se na servisní středisko
Výrobek při krájení vyvíjí příliš velký odpor	Nůž není nabroušený	Nabruste nůž
Nůž se při krájení zpomaluje nebo se zastaví	Může být uvolněný nebo poškozený řemen	Pro úpravu nebo výměnu řemenu kontaktujte servisní středisko
Stroj se po stisknutí vypínacího tlačítka nevypne	Vadný řídicí okruh	Okamžitě stroj vypněte a vytáhněte zástrčku ze sítě; okamžitě se obraťte na servisní středisko
Příliš velký odpor při pohybu posuvných komponentů (přítlačného prvku, posuvného suportu)	Mazání vodicích prvků není prováděno pravidelně	Provádějte mazání pravidelně

## SLG 315 - 350 -370

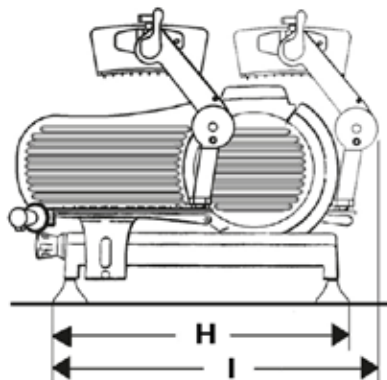
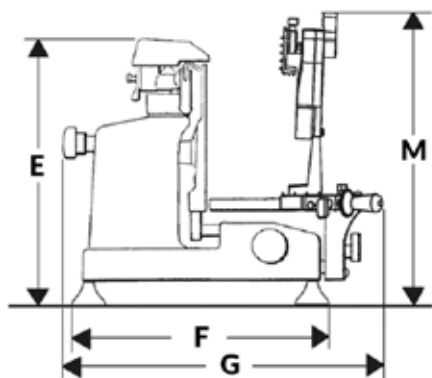


MODEL	SLG315	SLG350	SLG370
E	500 mm	540 mm	540 mm
F	420 mm	490 mm	490 mm
G	740 mm	800 mm	800 mm
H	525 mm	615 mm	615 mm
L	750 mm	800 mm	890 mm
SPECIFIKACE			
Ø Průměr nože	315 mm	350 mm	370 mm
Maximální tloušťka plátku	0 -14	0 -14	0 -14
Čistá Hmotnost	32 kg	44 kg	49 kg
Výkon při obdélníkovém řezání	255x160h	300x195h	300x210h
Výkon při kruhovém řezání	205 mm	250 mm	265 mm
Výkon motoru	0,25   0,30 kW	0,30   0,35 kW	0,30   0,35 kW
Elektrické specifikace	230/50/1 - 400/50/3 V - Hz		

SLH 315 - 350 - 370



MODEL	SLH315	SLH350	SLH370
E	515 mm	550 mm	560 mm
F	450 mm	460 mm	530 mm
G	650 mm	710 mm	800 mm
H	560 mm	570 mm	640 mm
I	670 mm	670 mm	750 mm
SPECIFIKACE			
ø Průměr nože	315 mm	350 mm	370 mm
Maximální tloušťka plátku	0 -24	0 -24	0 -24
Čistá Hmotnost	38 kg	45 kg	56 kg
Výkon při obdélníkovém řezání	270x225h	320x270h	370x260h
Výkon při kruhovém řezání	225 mm	270 mm	260 mm
Výkon motoru	0,30   0,35 kW	0,30   0,35 kW	0,30   0,35 kW
Elektrické specifikace	120/60/1 - 220/60/1 - 230/50/1 - 400/50/3 V - Hz	120/60/1 - 220/60/1 - 400/50/3 V - Hz	120/60/1 - 230/50/1 - 400/50/3 V - Hz

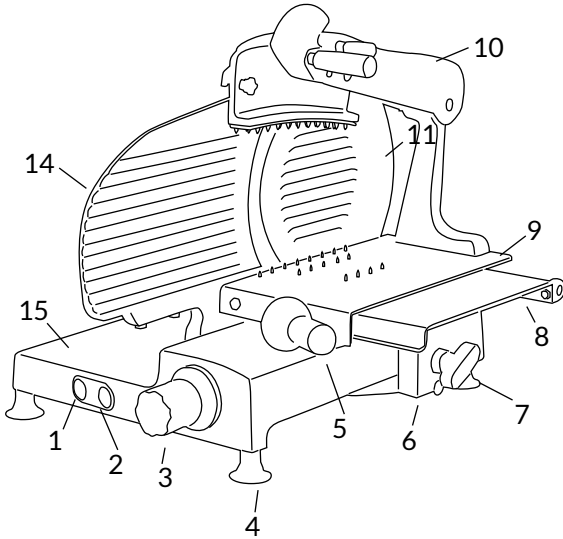


MODĚLE	SLL315	SLL350	SLL370
E	510 mm	550 mm	560 mm
F	450 mm	450 mm	530 mm
G	640 mm	670 mm	720 mm
H	560 mm	590 mm	640 mm
I	650 mm	710 mm	800 mm
M	670 mm	680 mm	670 mm
SPECIFIKACE			
Ø Průměr nože	315 mm	350 mm	370 mm
Maximální tloušťka plátku	0 -14	0 -14	0 -14
Čistá Hmotnost	40 kg	45 kg	56 kg
Výkon při obdélníkovém řezání	290x225h	320x270h	350x280h
Výkon při kruhovém řezání	225 mm	270 mm	280 mm
Výkon motoru	0,30   0,35 kW	0,30   0,35 kW	0,30   0,35 kW
Elektrické specifikace	120/60/1 V - Hz   220/60/1 V - Hz 230/50/1 V - Hz   400/50/3 V - Hz		

Poznámka: V důsledku neustálého výzkumu neustále zlepšovat naše výrobky, technické specifikace jsou předmětem možných variací.

SLL 315 - 350 - 370

MASKINDELE



1. Startknap
2. Stopknap
3. Håndtag til regulering af skivetykkelse
4. Fod
5. Skubbehåndtag plade
6. Pladestøtte
7. Låsegreb på plade
8. Plade til produkt
9. Slædeplade
10. Pigplade
11. Klingeafskærmning (klingebeskytter)
12. Slibeanordning
14. Breddemåler (stopplade)
15. Base
17. Smørenippel til smøring af skinner
18. Klinge
19. Trækstang klingeafskærmning
20. Skiveføring
21. Sikkerhedsring

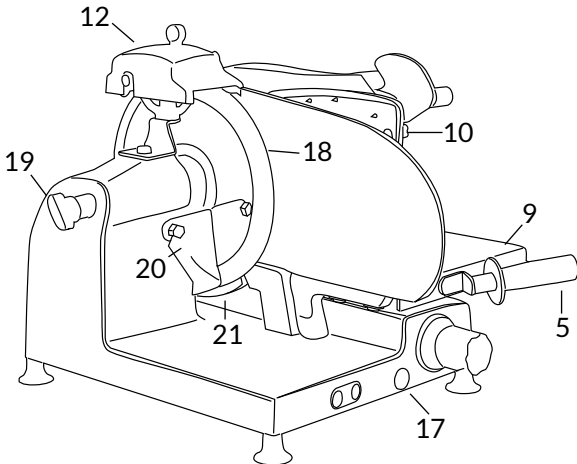


Fig. 2



SLH 315 - 350 - 370

## MASKINDELE

1. Startknap
2. Stopknap
3. Håndtag til regulering af skivetykkelse
4. Fod
6. Pladestøtte
7. Låsegreb på plade
8. Plade til produkt
9. Slædeplade
10. Pigplade
11. Klingeafskærmning (klingebeskytter)
12. Slibeanordning
13. Håndtag på pigplade
14. Breddemåler (stopplade)
15. Base
17. Smørenippel til smøring af skinner
18. Klinge
19. Trækstang klingeafskærmning
20. Skiveføring
21. Sikkerhedsring
24. Sikkerhedsafskærmning plade

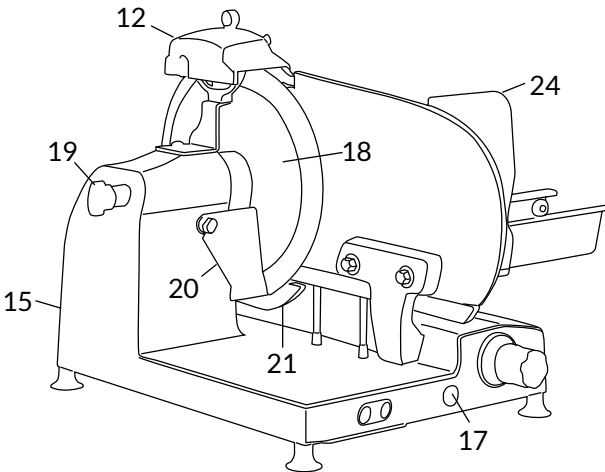
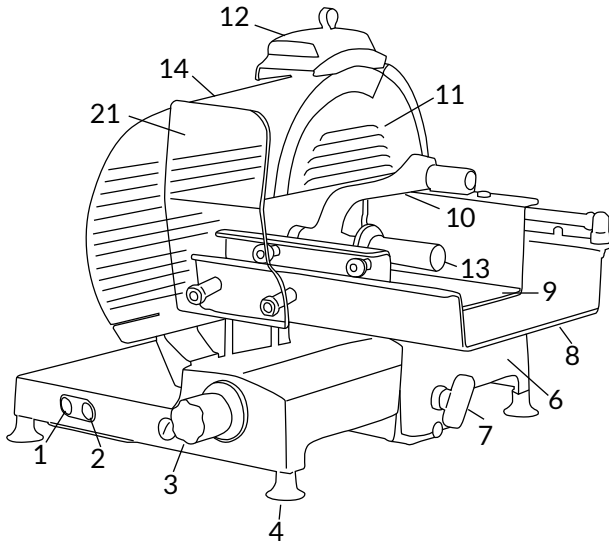
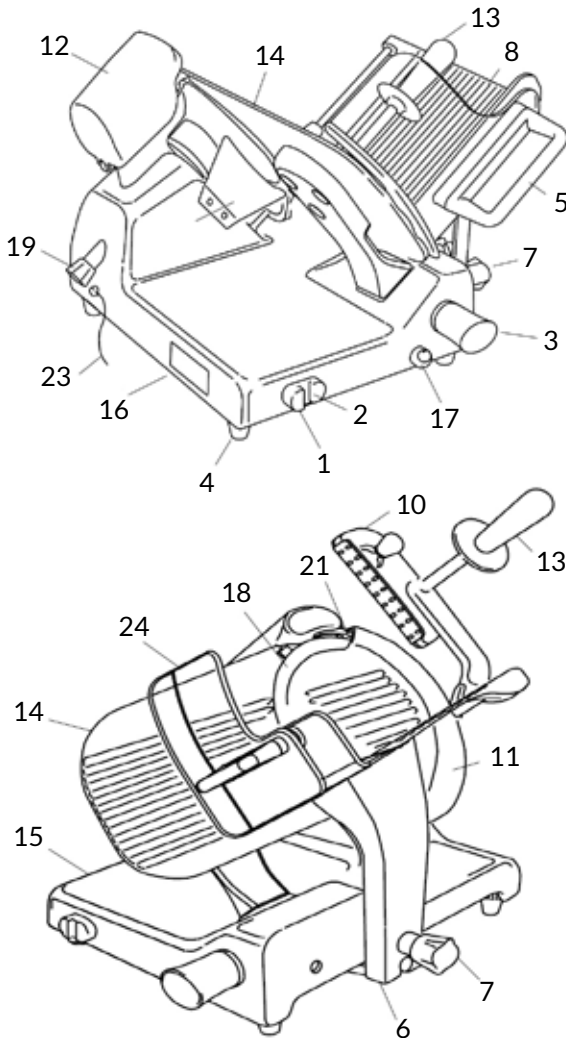


Fig. 2

## SLG 315 - 350 - 370

### MASKINDELE



1. Startknop
2. Stopknop
3. Håndtag til regulering af skivetykkelse
4. Fod
5. Skubbehåndtag plade
6. Pladestøtte
7. Låsegreb på plade
8. Plade til produkt
10. Pigplade
11. Klingeafskærmning (klingebeskytter)
12. Slibeanordning
13. Håndtag på pigplade
14. Breddemåler (stopplade)
15. Base
16. Typeskilt, tekniske specifikationer, CE-mærke
17. Smørenippel til smøring af skinner
18. Klinge
19. Trækstang klingeafskærmning
20. Skiveføring
21. Sikkerhedsring
22. Bløkk
23. Strømforsyningskabel
24. Sikkerhedsafskærmning plade

Fig. 2

## BESKRIVELS

---

Professionelle slicere med rund klinge, designede til udskæring af fødevarer af den type og med de størrelser, som er anført i denne betjeningsvejledning. Maskinens vigtigste dele er illustreret i figur 2. El-diagrammet er vist i figur 1.

## OVERENSSTEMMELSESKLÆRING

---

Maskinerne, som er beskrevet i denne betjeningsvejledning, er i overensstemmelse med direktiv 2006/42/EF, 2006/95/EF, 2004/108/EF, 2003/108/EF, 2011/65/EF, forordningen (EF) 1935/2004 samt de tilhørende standarder EN 1974:1998 +A1, EN60204-1, EN60335-1, EN60335-2-64.



## SIKKERHED

---

Af hensyn til din sikkerhed, bør du følge disse anvisninger:

- Læs nøje alle instruktioner, før du tager maskinen i brug

- Produktet er ikke beregnet til brug af børn;

- Brug kun maskinen, hvis du har tilstrækkelig uddannelse og er i perfekt psyko-fysisk tilstand;

- Brug aldrig maskinen på andre måder end som anvist i denne betjeningsvejledning;

- Installér maskinen i overensstemmelse med instruktionerne i afsnittet "Installation";

- Brug kun maskinen, hvis den er i perfekt strukturel og mekanisk stand og korrekt installeret;

- Installér maskinen på et sted, som er uden for andet personales rækkevidde, der ikke be-

nytter maskinen, navnlig mindreårige;

- Vær koncentreret, når du benytter maskinen, og sørg for ikke at blive distraheret under brug;

- Lad ikke personale, som ikke har læst og forstået indholdet i denne betjeningsvejledning, benytte maskinen;

- Bær ikke løstsiddende tøj eller med åbne manchetter;

- Tillad aldrig, at andre end operatøren nærmer sig maskinen, mens produktet skæres;

- Fjern, tildæk eller manipuler aldrig med skiltene på maskinen, og sørg for, at de omgænde bliver udskiftet, hvis de er defekte;

- Fjern aldrig de gennemsigtige beskyttelsesværn, og manipuler eller tilsidesæt aldrig de mekaniske eller elektriske sikkerhedsanordninger;

- Skær kun de tilladte produkter; forsøg aldrig at skære i produkter, som ikke er tilladt;

- Hold altid området, hvor det afskårne produkt lægges ned, hele arbejdsområdet omkring maskinen og gulvet rent og tørt;

- Brug ikke maskinen som støtte, og læg aldrig genstande på maskinen, som ikke anvendes til skæringen;

- Brug ikke sliceren, når afstanden mellem klingens kant og ringen på klingens sikkerhedsværn er mere end 6 mm. Hvis dette er tilfældet skal producenten eller et af de autoriserede servicecentre tilkaldes for at udskifte klingens;

- Brug ikke maskinen med elektriske forlængerledninger, midlertidige eller uisolerede kabler;

- Kontroller regelmæssigt strømforsyningskablets tilstand og kabelholderen på ma-

skin. Udskift omgående i tilfælde af slid eller defekter. Ret i dette tilfælde henvendelse til kvalificeret personale;

- Stop omgående maskinen i tilfælde af fejlfunktioner, mistanke af defekter, forkerte bevægelser, usædvanlige lyde;

- Før maskinen gøres rent eller vedligeholdes, skal den afbrydes fra lysnettet;

- Brug beskyttelseshandsker, når du gør maskinen rent;

- Læg kun produktet, som skal skæres, på slæden, når den er trukket helt tilbage, og med snittykkelsens reguleringshåndtag i sikkerhedsposition;

- Brug håndtaget på armen eller skubbegrebet til at føre slæden frem og tilbage, når der snittes;

- Det er ikke tilladt bruge andet tilbehør til sliceren end det, som er leveret af maskinens producent sammen med maskinen.

Producenten fralægger sig ethvert direkte og inddirekte ansvar som skyldes forkert brug, uautoriserede ændringer og/eller reparationer udført på maskinen og brug af ikke-originalt tilbehør og reservedele.

Maskinen må ikke anvendes i udendørs omgivelser og/eller udsættes for vejrlig eller anvendes i miljøer med damp, røg eller korroderende og/eller ridsende støv, brand- eller eksplosionsfarlige miljøer, eller hvor brugen af eksplosionssikre komponenter er påbudt.

Kan anvendes i omgivelser med:

- Temperaturer

fra -5° C til +40° C

- Luftfugtighed maks. 95%

SNIT ALDRIG:

- dybfrosne fødevarer;

- frosne fødevarer;

- fødevarer med knogler (kød og fisk);
- ethvert andet produkt, som ikke er fødevarer.

## RESTERENDE RISICI

Sikkerhedsringen omkring klingen er fremstillet i overensstemmelse med den europæiske standard EN 1974:1998 + A1. Dette eliminerer dog ikke helt risikoen for skæring.

**⚠ ADVARSEL! Skærefare!** Når klingen gøres rent og slibes, er det nødvendigt at være meget forsigtig og holde hænderne så langt som muligt borte fra området, som ikke er beskyttet. Det anbefales at bruge beskyttelsehandsker.

## INSTALLATION

Installér maskinen i en højde på maks. 90 cm, på en plan og glat overflade, tør og egnet til at bære vægten af selve maskinen samt fødevarerne, som skal snittes.

**⚠ OBS!** Kontrollér, at der ikke er forhindringer for slædens bevægelse og pladeringen af produkterne, som skal snittes, på slæden.

Maskinen skal være installeret i umiddelbar nærhed af en stikkontakt, som opfylder EØS-betingelserne. Stikket skal være afledt fra et anlæg, som opfylder betingelserne i de gældende standarder, og være udstyret med:

- termomagnetisk sikring;
- automatisk differentialafbryder;
- jordforbindelse.

Inden strømforsyningen sluttes til maskinen er det nødvendigt at kontrollere, at specifikationer

svarer til dem, som er anført på maskinens typeskilt.

**⚠ ADVARSEL!** På maskiner med trefaset motor er det nødvendigt at kontrollere klingens rotationsretning. Efter at have kontrolleret, at klingens placering i sikkerhedsposition trykkes på kontakten (1) for at tænde for maskinen: observer klingens retning fra slædesiden og kontrollér, at den roterer mod uret, nedad på operatørsiden (Fig. B).

## BRUG AF SLICEREN

### MANUEL FUNKTION:

**⚠ ADVARSEL!** Skarp klinge, skærefare! Kontrollér, at håndtaget, som regulerer skivetykkelsen (3) er i sikkerhedspositionen (position 0) (Fig. A).

- Kontrollér, at maskinen er slukket. Tryk på kontakten (2), hvis den er tændt;
- Træk slæden (8) helt tilbage mod operatøren i positionen, hvor produktet lægges på;
- Løft pigpladen (10), som holder produktet fast;
- læg produktet, som skal snittes, på pladen:

- **SLL 315-350-370, SLH 315-350-370:** fjern slædeplanen fra pladen til måling af tykkelse; læg produktet der skal skæres ud for pladens kant, på operatørsiden;
- **SLG 315-350-370:** læg produktet der skal skæres mod pladeenheden væg, ud for pladens kant, på operatørsiden; lås med pigpladen, ved at udøve et vist tryk; på de modeller, der udnytter tyngdekrafteffekten, hviler produktet mod pladen ed hjælp af sin egen vægt;

- Brug håndtaget (3) til at regulere skivetykkelsen. Start

klingen (18) ved at trykke på kontakten (1). Grib fat i håndtaget på pressen (13), og begynd at skære med en frem- og tilbagegående bevægelse;

- På modellerne, som udnytter tyngdekrafteffekten, bruges håndgrebet på pressen som hjælp, når produktets vægt eller størrelse ikke længere gør det muligt at skære tilfredsstillende skiver;

- Når du er færdig med at skære, bringes håndtaget, som regulerer tykkelsen, igen i sikkerhedsposition, og slæden trækkes tilbage. Sluk for klingens ved at trykke på kontakten (2);

- fjern slædepladen fra pladen til måling af tykkelsen og fjern produktet.

## RENGØRING

Sørg for omhyggelig rengøring af maskinen. Når maskinen anvendes, skal den rengøres mindst én gang om dagen eller oftere, hvis nødvendigt. Efter en periode med inaktivitet anbefales det at gøre maskinen rent, før den igen tages i brug.

**⚠ ADVARSEL! Fare for elektrisk stød! Træk stikket ud af strømforsyningskontakten, og bring håndtaget, som regulerer tykkelsen, i sikkerhedsposition, før maskinen gøres rent.**

**⚠ ADVARSEL!** Skarp klinge, skærefare! Kontrollér, at håndtaget, som regulerer skivetykkelsen (3) er i sikkerhedspositionen (position 0) (Fig. A).

Rengøringsmidler:

VASK ALDRIG NOGEN DEL I OPVASKEMASKINEN! Brug udelukkende vand og bionedbrydeligt, skummende opva-

skemiddel med pH 7-8, en blød klud og svamp eller halvstiv nylonbørste til pladen og pigpladen. Gør aldrig maskinen rent med vand- eller dampstråler eller tilsvarende metoder.

### Rengøring af slædepladen SLL 315-350-370, SLH 315-350-370

- SLL 315-350-370: træk slædepladen til endestop, et metallisk klik advarer operatøren om, at pladen til produkter er låst. Løft pladen til produkter fuldstændigt (Fig. E-1); rengør slædepladen og gentag indgrebene i den modsatte rækkefølge for at stille slædepladen tilbage;

- SLH 315-350-370: løsn låsehåndtaget til pladen til produkter ved at dreje det mod uret; træk slædepladen til endestop, et metallisk klik advarer operatøren om, at pladen til produkter er låst. Fjern slædepladen fra breddemåleren og løft pigpladen (Fig. F-1); rengør slædepladen og sænk pigpladen; løft slædepladen og rengør pladen til produkter (Fig. F-2); frigør pladen til produkter ved at dreje låsehåndtaget med uret.

### Fjernelse af pladen til produkter (SLG 315-350-370)

- ved hjælp af håndtaget, som regulerer skivetykkelsen (3) i sikkerhedsposition (Fig. A, D-1), træk pladestøtten (6) helt tilbage til endestop, i operatørens retning (Fig. D2);

- drej låsehåndtaget (7) mod uret (Fig. D-3) mens pladestøtten holdes mod endestoppet, indtil sikkerhedslåseanordningen på pladen, som måler tykkelsen (fig. 2) griber fast.

- træk pladen til produkter opad, og træk det ud fra holderen.

**OBS!** Kontrollér, at pigpladen

hviler på pladen, før støttepladen trækkes ud.

**!** **OBS!** Håndtaget, som regulerer skivetykkelsen skal være i sikkerhedsposition "0".

### Fjernelse af pigplade (SLG 315-350-370)

drej håndtaget og træk pigpladen ud (Fig. G).

### Fjernelse af klingeafskærmningen (11)

- løsn håndtaget på klingeafskærmningens trækstang (19), ved at dreje mod uret;

- tryk på trækstangens håndtag og løft klingeafskærmningen for at fjerne den.

**!** **OBS!** Efter at have fjernet klingeafskærmningen standser en tvangskoblingsanordning klingens rotation.

### Fjernelse af skiveføring (20)

Løsn fastspændingsskruen/skruerne og fjern skiveføringen.

For modeller, der udnytter tyngdekrafteffekten SLG: løsn låsestiften og drej skiveføringen nedad, for at trække den ud fra stiften.

### Strygestål (12)

Rengør delen med en fugtig klud, dyb den aldrig i vand.

Fortsæt med rengøring af:

- klingen: tryk en fugtig klud mod klingens overflade på siden med klingeafskærmningen og den modsatte side, og før den langsomt i en bevægelse fra midten mod kanten, sådan som vist i figuren. Tør klingen på samme måde med en tør klud. Tænd **ALDRIG** maskinen under rengøringen;

- sikkerhedsring: brug en halvstiv nylonbørste til at gøre

området mellem klingen og sikkerhedsringen rent. Pas på ikke at komme for tæt på klingen med hænderne;

- maskinhuset: gør maskinhuset rent med en fugtig klud eller svamp, som skylles under rindende vand. Tør omhyggeligt;

- strygestålet: 1) rengør midterdelen med en fugtig klud, og fjedrene med en halvstiv nylonbørste; 2) Dyp aldrig slibeanordningen i vand Slibehjulet kan nemt fjernes fra slibeanordningens aggregat, ved at trække det ud i pilens retning (Fig. I). Det tilrådes at holde slibehjulet rent, for at sikre en korrekt slibning. Fjern tilsmudsninger og fedt med sprit og med en halvstiv nylonbørste.

**!** **OBS!** Rengør enkeltvist alle de afmonterede dele i lunkent vand og med MILDT vaskemiddel, brug en børste eller en klud. Skyl med varmt vand, og tør.

Montér delene ved at følge de beskrevne trin i omvendt rækkefølge

### FJERNELSE AF KLINGEN

**!** **OBS!** Anvend udelukkende originale dele!

**!** **OBS!** Skærefare! Anvend udelukkende efter at brugsvejledningen, der leveres sammen med anordningen, er blevet grundigt læst igennem.

Hvis maskinen er blevet forsynet med en anordning til udtagelse af klingen, tilrådes det grundigt at følge de pågældende brugsanvisninger, der leveres sammen med anordningen.

## VEDLIGEHOLDELSE

---

### Slibning


Det afhænger af brugen, hvor længe klingen holder sig skarp, og hvor ofte den skal slibes.

Inden slibning:

1. Kontrollér, at maskinen er slukket;
2. Kontrollér, at fjedre og klinger er rene;
3. Placér håndtaget, som regulerer skivetykkelsen, i sikkerhedsposition;
4. Træk slæden med pladeenhed helt tilbage.

Følg instruktionerne for at slibe klingen:

- Løft beskyttelsesdækslet til slibeordinationen. Træk i anordningens frigivelsesgreb (fig. M-1) og drej det i klingens retning (fig. M-2). Slibeanordningen blokeres i den korrekte position. Tryk på tændingsknappen for at starte maskinen. Drej grebet en smule, og placér de to slibehjul i kontakt med klingen i 10/-15 sekunder (fig. M-3). Slibning og afgratning udføres samtidigt. Tryk på stopknappen og træk anordningens greb for at bringe den tilbage til sin startposition. Sænk beskyttelsesdækslet til slibeordinationen.

 **OBS!** Slibehjulet kan nemt fjernes fra slibeordinationens aggregat, ved at trække det ud i pilens retning (Fig. I). Det tilrådes at holde slibehjulet rent, for at sikre en korrekt slibning. Fjern tilsmudsninger og fedt med sprit og med en halvstiv nylonbørste.

### Smøring

Det kan være nødvendigt at smøre slædens køreskinner med regelmæssige mellem-

rum. Det anbefales at udføre smøringen en gang om måneden. Brug kun syrefri olie (vi anbefaler vaselineolie). Brug aldrig vegetabilsk olie.

Følg disse trin for at smøre maskinen: 1) køør slæden så tæt på operatøren, som muligt; 2) placér smøreniplen i smørehullet, og tryk for at fylde en anelse olie i hullet; 3) fjern smøreniplen, og køør slæden frem og tilbage 2-4 gange.


### ASSISTANCE

---

Der følger ikke reservedele med leveringen. Al reparation og udskiftning af dele (f.eks. klinge, drivrem, elektriske komponenter, strukturelle dele) må udelukkende udføres af producentens autoriserede personale.

Hvis reparation er nødvendig, anbefales det at returnere maskinen til producenten eller et autoriseret servicecenter.

Oplysninger om servicecentre kan fås ved henvendelse til: [service@berkelinternational.com](mailto:service@berkelinternational.com).

 **ADVARSEL! Klingen skal udskiftes, når afstanden mellem selve klingens kant og afskærmningen indvendige kant overstiger 6 mm.**

### GARANTI OG HÆFTELSE

---

Producenten leverer maskinerne med en garanti på 24 måneder med start fra købsdatoen. Garantien omfatter kun defekter, som opstår i forbindelse med korrekt brug og ved overholdelse af instruktionerne i betjeningsvejledningen. Garantien dækker ikke skader opstået som følge af transporten eller køberens uagtsomhed, forkert installation eller

placering, skader som følge af slid eller forsyningsspænding, som overskrider den nominelle værdi med mere end 10 %. Desuden dækker garantien ikke sliddele som f.eks. klinge og fjedrene i slibeordinationen med undtagelse af tydelige fabrikationsfejl.

Producenten fratægger sig ethvert ansvar for direkte og indirekte skader som følge af:

- manglende overholdelse af instruktionerne i denne betjeningsvejledning;
  - brug af maskinen i uoverensstemmelse med bestemmelser og standarder gældende i landet, hvor maskinen er installeret;
  - uautoriserede ændringer og/eller reparationer på maskinen
  - brug af ikke-originale reservedele og tilbehør;
  - usædvanlige begivenheder.
- I Overførsel af ejendomsretten til maskinen medfører øjeblikket ophør af ethvert ansvar for producenten med undtagelse af bestemmelserne i direktiv 2006/42/EF (ansvar for enhver fabrikationsfejl i produktet).
- Maskinens typeskilt indeholder oplysninger om producent, maskine, tekniske specifikationer og CE-mærkning.

### AFMONTERING OG BORTSKAFFELSE

---

Maskinen består af:

- aluminiumslegering;
- indsats og komponenter i rustfrit stål;
- elektriske komponenter og ledninger;
- elektrisk motor;
- plast osv.

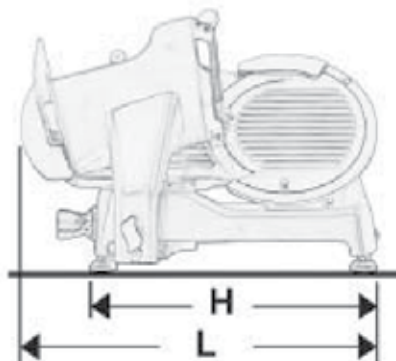
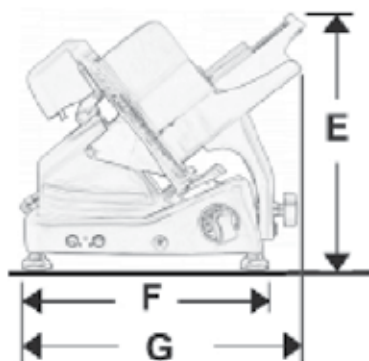
Hvis opgaven overdrages til tredjemand, bør der kun anvendes autoriserede renovationselskaber til bortskaffelse

af de ovennævnte materialer. Maskinen opfylder kravene i direktiv 2012/19/EU. Indeholder materialer, som kan genbruges eller genindvindes. En korrekt sortering inden bortskaffelsen gør genbrug og genindvinding nemmere. Når maskinens levetid er afsluttet, skal den afleveres til et indsamlingssted. De lokale myndigheder kan bistå med oplysninger om bortskaffelse.

### Afhjælpning af fejl

PROBLEM	MULIG ÅRSAG	AFHJÆLPNING
Maskinen starter ikke, når der trykkes på startknappen	Strømforsyning mangler, eller styrekredsløbet er defekt	Kontrollér, som stikket er sat korrekt i stikkontakten. Hvis problemet fortsætter, skal servicecenteret kontaktes
Maskinen starter, når der trykkes på startknappen, men funktionsindikatoren tænder ikke	Defekt lysindikator	Brug ikke maskinen med slukket lysindikator Kontakt servicecenteret
For stor modstand, når produktet skæres	Klingen er ikke skarp	Slib klingen
Klingen standser eller bremser, når der skæres	Drivremmen kan være slap eller beskadiget	Kontakt servicecenteret for at få reguleret eller udskiftet remmen
Maskinen standser ikke, når der trykkes på stopknappen	Defekt styrekredsløb	Stand omgående maskinen ved at trække stikket ud af stikkontakten, og kontakt omgående servicecenteret
For stor modstand, når glidekomponenterne bevæges (pigplade, slæde)	Glideskinnerne er ikke blevet smurt regelmæssigt	Smør skinnerne regelmæssigt

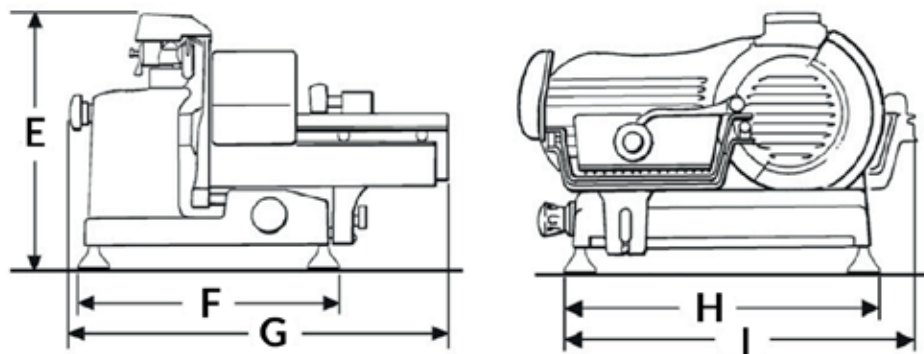
## SLG 315 - 350 -370



MODÈLE	SLG315	SLG350	SLG370
E	500 mm	540 mm	540 mm
F	420 mm	490 mm	490 mm
G	740 mm	800 mm	800 mm
H	525 mm	615 mm	615 mm
L	750 mm	800 mm	890 mm
SPECIFIKATIONER			
ø Klingediameter	315 mm	350 mm	370 mm
Maks. skivetykkelse	0 -14	0 -14	0 -14
Nettovægt	32 kg	44 kg	49 kg
Kapacitet lineær skæring	255x160h	300x195h	300x210h
Kapacitet rundskæring	205 mm	250 mm	265 mm
Motoreffekt	0,25   0,30 kW	0,30   0,35 kW	0,30   0,35 kW
Elektriske specifikationer	230/50/1 - 400/50/3 V - Hz		

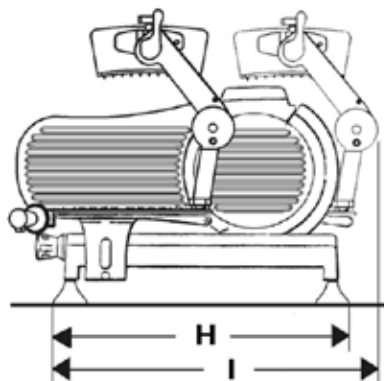
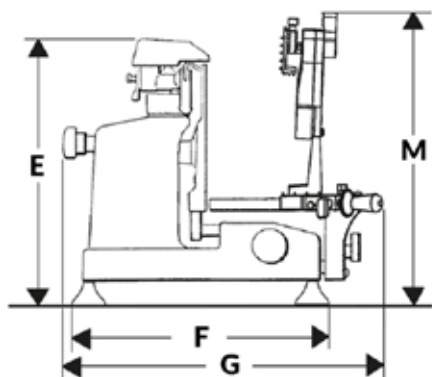


SLH 315 - 350 - 370



MODELLER	SLH315	SLH350	SLH370
E	515 mm	550 mm	560 mm
F	450 mm	460 mm	530 mm
G	650 mm	710 mm	800 mm
H	560 mm	570 mm	640 mm
I	670 mm	670 mm	750 mm
SPECIFIKATIONER			
Ø Klingediameter	315 mm	350 mm	370 mm
Maks. skivetykkelse	0-24	0-24	0-24
Nettovægt	38 kg	45 kg	56 kg
Kapacitet lineær skæring	270x225h	320x270h	370x260h
Kapacitet rundskæring	225 mm	270 mm	260 mm
Motoreffekt	0,30   0,35 kW	0,30   0,35 kW	0,30   0,35 kW
Elektriske specifikationer	120/60/1 - 220/60/1 - 230/50/1 - 400/50/3 V - Hz	120/60/1 - 220/60/1 - 400/50/3 V - Hz	120/60/1 - 230/50/1 - 400/50/3 V - Hz

SLL 315 - 350 - 370



MODELLER	SLL315	SLL350	SLL370
E	510 mm	550 mm	560 mm
F	450 mm	450 mm	530 mm
G	640 mm	670 mm	720 mm
H	560 mm	590 mm	640 mm
I	650 mm	710 mm	800 mm
M	670 mm	680 mm	670 mm
SPECIFIKATIONER			
Ø Klingediameter	315 mm	350 mm	370 mm
Maks. skivetykkelse	0 -14	0 -14	0 -14
Nettovægt	40 kg	45 kg	56 kg
Kapacitet lineær skæring	290x225h	320x270h	350x280h
Kapacitet rundskæring	225 mm	270 mm	280 mm
Motoreffekt	0,30   0,35 kW	0,30   0,35 kW	0,30   0,35 kW
Elektriske specifikationer	120/60/1 V - Hz   220/60/1 V - Hz 230/50/1 V - Hz   400/50/3 V - Hz		

Bemærk: Som et resultat af løbende forskning til løbende at forbedre vores produkter, tekniske specifikationer kan mulige variationer.

## SLL 315 - 350 - 370

COMPONENTES  
PRINCIPALES

1. Botón de encendido
2. Botón de apagado
3. Perilla de regulación espesor de la loncha
4. Pie de apoyo
5. Manija empuja plato
6. Soporte del plato
7. Perilla de bloqueo plato
8. Plato carro
9. Bandeja de plato deslizable
10. Sujetador de alimentos
11. Cubre cuchilla (cubre filo)
12. Afilador
14. Placa calibradora de espesor (tabique)
15. Basamento
17. Lubricador de las guías
18. Cuchilla
19. Tirante cubrecuchilla
20. Paralonchas
21. Aro protector de la cuchilla

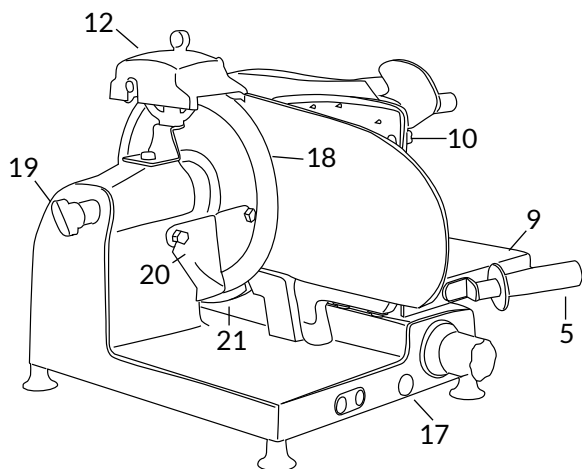
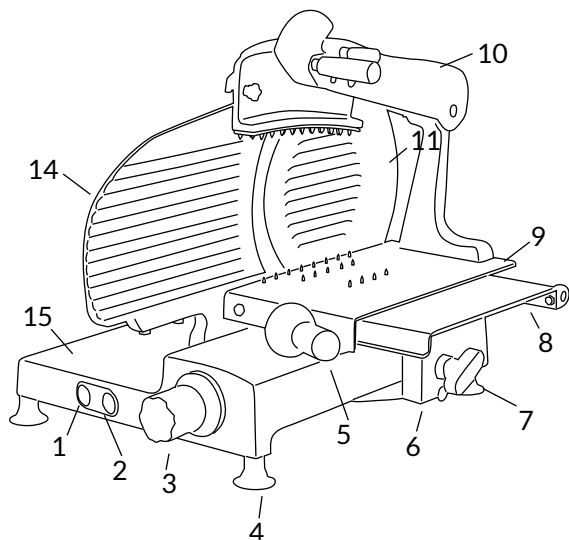


Fig. 2

SLH 315 - 350 - 370

### COMPONENTES PRINCIPALES

1. Botón de encendido
2. Botón de apagado
3. Perilla de regulación espesor de la loncha
4. Pie de apoyo
6. Soporte del plato
7. Perilla de bloqueo plato
8. Plato carro
9. Bandeja de plato deslizante
10. Sujetador de alimentos
11. Cubre cuchilla (cubre filo)
12. Afilador
13. Brazo sujetador de alimentos
14. Placa calibradora de espesor (tabique)
15. Basamento
17. Lubricador de las guías
18. Cuchilla
19. Tirante cubrecuchilla
20. Paralanchas
21. Aro protector de la cuchilla
24. Guardamanos plato

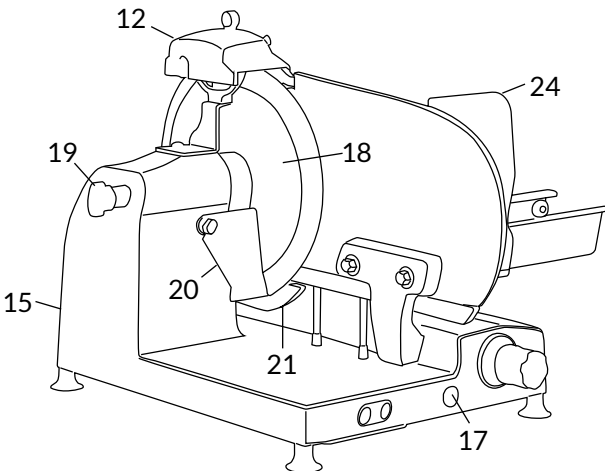
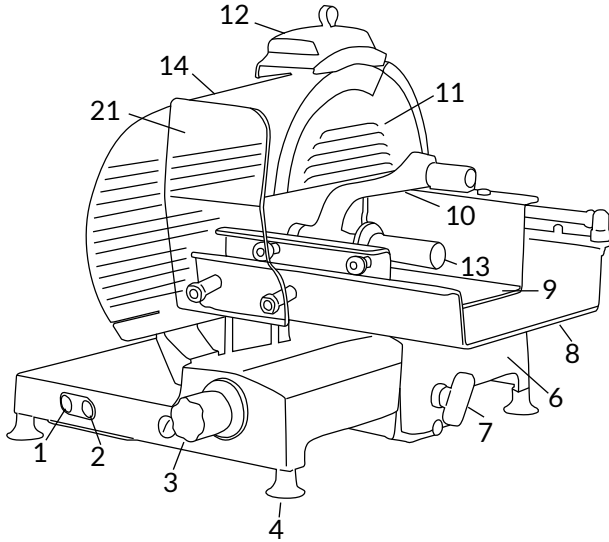


Fig. 2

## SLG 315 - 350 - 370

### COMPONENTES PRINCIPALES

1. Botón de encendido
2. Botón de apagado
3. Perilla de regulación espesor de la loncha
4. Pie de apoyo
5. Manija empuja plato
6. Soporte del plato
7. Perilla de bloqueo plato
8. Plato carro
10. Sujetador de alimentos
11. Cubre cuchilla (cubre filo)
12. Afilador
13. Brazo sujetador de alimentos
14. Placa calibradora de espesor (tabique)
15. Basamento
16. Placa de identificación, datos técnicos, marca CE
17. Lubricador de las guías
18. Cuchilla
19. Tirante cubrecuchilla
20. Paralonchascos
21. Aro protector de la cuchilla
22. Cuña
23. Cable de alimentación
24. Guardamanos plato

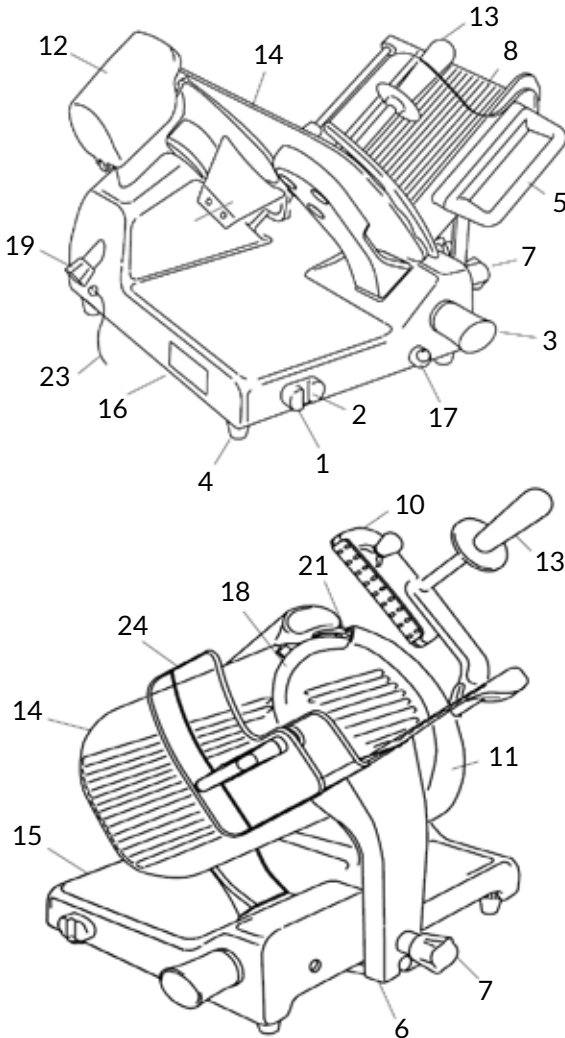


Fig. 2

## DESCRIPCIÓN

---

Cortadoras de fiambres profesionales con cuchilla circular, diseñadas para cortar exclusivamente productos alimentarios del tipo y dentro de los límites de tamaño indicados en el presente manual. Las piezas principales de la máquina se han representado en la figura 2. El esquema eléctrico en la figura 1.

## DECLARACIÓN DE CONFORMIDAD

---

Las máquinas descritas en este manual cumplen con las Directivas 2006/42/CE, 2006/95/CE, 2004/108/CE, 2003/108/CE, 2011/65/CE, con el reglamento europeo (EC) 1935/2004 y con los relativos estándar como EN 1974:1998 +A1, EN60204-1, EN60335-1, EN60335-2-64.



## SEGURIDAD

---

Para su seguridad, siga las siguientes instrucciones:

- lea atentamente la totalidad de las instrucciones antes de usar la máquina;
- el producto no puede ser utilizado por niños;
- utilice la máquina sólo si se encuentra debidamente entrenado y en perfectas condiciones físicas y mentales;
- no use la máquina de forma alguna que no sea la indicada en este manual;
- instale la máquina siguiendo las instrucciones del apartado 'Instalación';
- instale la máquina en un lugar fuera del alcance de personal ajeno a su uso y, sobre todo, de

- los menores de edad;
- use la máquina con la máxima concentración, sin distraerse;
- no permita el uso de la máquina a alguien que no haya leído y entendido completamente el presente manual;
- no se ponga prendas demasiado sueltas o con las mangas abiertas;
- no permita a otras personas, excepto el operador, se acerquen durante las operaciones de corte;
- no extraiga, cubra o modifique las placas informativas situadas en el cuerpo de la máquina y, si estuvieran dañadas, cámbielas sin demorarse;
- no extraiga las protecciones transparentes ni modifique o desactiva protecciones mecánicas o eléctricas;
- corte únicamente i productos admitidos, no realice pruebas con productos no admitidos;
- mantenga la zona de apoyo del producto que se corta, la zona de trabajo alrededor de la máquina y el pavimento donde se sitúa el operador siempre limpios y secos;
- no utilice la máquina como superficie de apoyo ni apoye objetos no relacionados con las operaciones normales de corte;
- no use la cortadora si, debido al desgaste normal, la distancia entre el filo de la cuchilla y el aro protector de cuchilla ha superado los 6 mm, en tal caso contacta al fabricante o un Centro de Servicio Autorizado para cambiar la cuchilla
- no use la máquina con conexiones eléctricas de tipo 'aéreo', cables provisionales o no aislados;
- revise periódicamente el cable de alimentación y el prensacables situado en el cuerpo

- de la máquina, cámbielos inmediatamente si se requiere. Si resulta necesaria la asistencia, diríjase a personal cualificado;
  - detenga inmediatamente la máquina en caso de defecto, funcionamiento anómalo, sospechase la existencia de una rotura, movimientos incorrectos, ruidos anómalos;
  - para realizar la limpieza o el mantenimiento desconecte previamente la máquina de la red de alimentación eléctrica;
  - utilice guantes de protección para realizar la limpieza y el mantenimiento;
  - coloque y extraiga el producto alimentario sobre el carro de deslizamiento sólo si está completamente hacia atrás y con el selector de espesor colocado de forma segura (Fig. A);
  - para el movimiento de la bandeja de corte durante la operación de corte use exclusivamente la manija de maniobra que se encuentra en el brazo o en el mango del sujetador de alimentos;
  - no se permite el uso de accesorios de corte no suministrados por el fabricante o junto con la máquina.
- El fabricante se exime de cualquier responsabilidad directa o indirecta por uso indebido, modificaciones y/o reparaciones no autorizadas, uso de accesorios o repuestos no originales. La máquina no debe utilizarse al aire libre y/o expuesta a los agentes atmosféricos, ni en ambientes con vapores, humos o polvos corrosivos y/o abrasivos, con riesgo de incendio o explosión, ni donde sea obligatorio el uso de componentes antideflagración.

Condiciones ambientales de uso:


- Temperatura de -5°C a +40°C
- Humedad máx. 95%

#### NO CORTAR:

- productos alimentarios congelados;
- productos alimentarios con huesos o espinas (carnes y pescados);
- cualquier otro producto no destinado al uso alimentario.


#### RIESGOS RESIDUALES

El aro de protección de alrededor de la cuchilla es conforme con las normativas europea, de todos modos la protección en la zona del filo no elimina totalmente el riesgo de cortes.

 **¡ATENCIÓN!** Durante la limpieza de la cuchilla y el afilado mantenga las manos lo más alejadas posible del área no protegida. Se recomienda utilizar guantes de protección.

#### INSTALACIÓN


Instale la máquina a una altura máxima de 90 cm, sobre una superficie nivelada, lisa, seca y capaz de soportar el peso de la máquina más el del producto que se va a cortar.

 **ADVERTENCIA:** Asegúrese de que el recorrido de la bandeja y la carga del producto alimentario en esta no estén obstaculizados.

La máquina se ha de instalar cerca de una base eléctrica reglamentaria CEE, conectada a una instalación conforme con las normativas vigentes y que disponga de:


- protección magnetotérmica;
- interruptor automático diferencial;
- instalación de puesta a tierra.

Antes de realizar la conexión eléctrica asegúrese de que las características de la red de alimentación coincidan con las indicadas en la placa de datos de la máquina.

 **¡ATENCIÓN!** Para las máquinas dotadas de motor trifásico, comprobar la orientación de la cuchilla. Tras haber comprobado que la cuchilla está cerrada en posición de seguridad, pulsar el botón de encendido (1) para poner en marcha la máquina. Observando la cuchilla desde la parte del plato, comprobar que gira en sentido contrario a las agujas del reloj, hacia abajo lado operador (Fig. B).

#### OPERACIÓN

##### FUNCIONAMIENTO MANUAL

 **¡ATENCIÓN!** Cuchilla afilada, peligro de corte! Compruebe que la perilla de regulación de grosor de loncha (3) esté en su posición segura (posición 0) (Fig. A).

- Asegúrese de que la máquina está apagada, de lo contrario, pulse el botón de apagado (2);
- lleve completamente hacia atrás el plato (8) (hacia el operador), en posición de carga;
- eleve el sujetador de alimentos (10) y colóquelo en posición de reposo;
- ponga el producto a lonchear sobre el plato de alimentos:


- **SLL 315-350-370, SLH 315-350-370:** alejar la bandeja deslizante de la superficie del calibrador de espesor; apoyar el producto a lonchear en la bandeja al lado del borde de la bandeja, lado operador;
- **SLG 315-350-370:** apoye

el producto a cortar sobre la bandeja contra la pared de la bandeja de alimentos al lado del borde de la bandeja, del lado del operador; bloquéela con el sujetador de alimentos ejerciendo cierta presión; en las versiones de gravedad, el producto ejercerá presión contra la bandeja por su propio peso;


- utilice la perilla de regulación grosor (3) para regular el grosor de la loncha. Accione la cuchilla (18) pulsando el botón de encendido (1). Empuje la manija del sujetador de alimentos (13) y comience a cortar con un movimiento alterno;
- en los modelos gravedad, cuando el peso del alimento y las dimensiones del mismo ya no permiten efectuar un corte adecuado por sólo el efecto de gravedad, use la asa del brazo sujetador;
- finalizadas las operaciones coloque la perilla de regulación espesor en posición segura y mueva hacia atrás el carro. Detenga el movimiento de la cuchilla con el botón de apagado (2);
- aleje la bandeja deslizante de la superficie del calibrador de espesor y descargue el producto.

#### LIMPIEZA

Antes de usarse, la máquina debe ser limpiada al menos una vez al día, o más seguido en caso de ser necesario, y siempre después de largos periodos de inactividad.

 **¡ATENCIÓN!** *¡Peligro de descarga eléctrica! Antes de limpiar la máquina, desenchúfela de la red de alimentación eléctrica y coloque en posición de seguridad la perilla de regula-*

## **ción de grosor.**

 **¡ATENCIÓN!** ¡Cuchilla afilada, peligro de corte! Compruebe que la perilla de regulación de grosor de loncha (3) esté en la posición segura (posición 0) (Fig. A).

### **Productos de limpieza:**

No lave ninguna parte en el lavavajillas! Utilice exclusivamente agua y detergente espumoso biodegradable para vajillas, con un paño suave y esponjoso y un cepillo de nylon semirrígido para las zonas de la bandeja y del sujetador de alimentos. No use agua o vapor a presión ni métodos similares.

### **Limpieza de la bandeja deslizante SLL 315-350-370, SLH 315-350-370**

- SLL 315-350-370: tirar la bandeja deslizante hasta el tope, un chasquido metálico avisa al operador de que la bandeja de alimentos está bloqueada. Levantar completamente la bandeja de alimentos (Fig. E-1); limpiar la bandeja deslizante y repetir las operaciones en sentido inverso para reposicionar la bandeja deslizante;

- SLH 315-350-370: alejar girando el sentido antihorario la empuñadura de fijación de la bandeja de alimentos; tirar la bandeja corredera hasta el tope, un chasquido metálico avisa al operador de que la bandeja de alimentos está bloqueada. Alejar la bandeja deslizante de la bandeja del calibrador de espesor y levantar el sujetador de alimentos (Fig. F-1); limpie la bandeja deslizante y baje el sujetador de alimentos; levante la bandeja deslizante y limpie la bandeja de alimentos (Fig. F-2); desblo-


quear la bandeja de alimentos girando la empuñadura de fijación en sentido horario.


### **Retirar la bandeja de alimentos (SLG 315-350-370)**

- con la manilla de regulación del grosor de la loncha (3) en seguridad (Fig. A, Fig. D-1), lleve hacia atrás el soporte de la bandeja (6) completamente, hasta el tope, hacia el operador (Fig. D-2);

- gire completamente el mango de bloqueo (7) en sentido contrario a las agujas del reloj (Fig. D-3) manteniendo el soporte en el tope, hasta advertir la intervención del dispositivo de seguridad de bloqueo de la placa calibrador de espesor;

- levante la bandeja de alimentos extrayéndola del soporte.

 **¡ATENCIÓN!** Compruebe que el sujetador de alimentos esté bajado sobre la bandeja antes de extraer el soporte de la bandeja

 **¡ATENCIÓN!** Mantenga la manilla de regulación de grosor de las lonchas en la posición de seguridad "0".


### **Retirar el sujetador de alimentos (SLG 315-350-370)**

gire el mango y extraiga el sujetador de alimentos (Fig. G).

### **Retirar el disco cubrecuchilla (11)**

- gírelo en el sentido contrario a las agujas del reloj y afloje el mango del tirante del cubrecuchilla (19);

- presione el mango del tirante y levante el disco cubrecuchilla para retirarlo.

 **¡ATENCIÓN!** Tras haber retirado el disco cubrecuchilla, un dispositivo de interbloqueo detiene la rotación de

la cuchilla.

### **Retirar el desviador de lonchas (20)**

Aflojar el/los tornillo/s de fijación y quitar el desviador de lonchas.

Para las versiones gravedad SLG: afloje el perno de bloqueo y gire el desviador de lonchas hacia abajo para extraerlo del perno.

### **Afilador (12)**

Limpiar el cuerpo con un paño húmedo, no sumergir en agua.

Continúe con la limpieza de:

- cuchilla: presione con un paño húmedo la superficie de la cuchilla, moviéndolo lentamente desde el centro hacia afuera, como en la figura en el lado cubrecuchilla y en el lado opuesto. Seque la zona, con el mismo procedimiento, utilizando un paño seco. NUNCA encienda la máquina durante las fases de limpieza;


- aro de protección: use un cepillo de nylon semirrígido para la zona entre el aro y la cuchilla. Preste atención para no acercar demasiado las manos a la cuchilla;

- basamento de la máquina: límpielo con un paño húmedo o una esponja, enjuagándolo con agua. Séquelo con cuidado;

- el afilador: 1) limpie el cuerpo con un paño húmedo y los muelles con una escobilla de nylon semirrígido; 2) no sumerja el afilador en agua. La muela del afilador se puede extraer fácilmente del grupo del afilador; extráigala en la dirección de la flecha (Fig. I). Se recomienda mantener la muela limpia para un correcto afilado. Elimine la suciedad y la grasa con alcohol




una escobilla de nylon semi-rígido.

 **¡ATENCIÓN!** Limpiar individualmente todas las partes desmontadas en agua tibia y detergente para vajillas **NO AGRESIVO**, utilizando una escobilla o un paño. Enjuagar en agua caliente y secar.

Proceder a la operación de montaje siguiendo las indicaciones descritas en orden inverso.

## RETIRADA DE LA CUCHILLA

 **¡ATENCIÓN!** Utilice solo dispositivos originales.

 **¡ATENCIÓN!** ¡Peligro de corte! Utilícelo solamente después de haber leído atentamente las instrucciones de uso que se entregan con el dispositivo.

Si ha adquirido un dispositivo en el que se puede extraer la cuchilla, para extraerla se recomienda seguir atentamente las correspondientes instrucciones de uso que se entregan junto con el dispositivo.

## MANTENIMIENTO

### **Afilado**

La frecuencia y duración del afilado dependen del uso que se haga de la máquina


Antes de afilar:

1. asegúrese de que la máquina esté apagada;
2. compruebe que los muelles y la cuchilla están limpios;
3. coloque la perilla de regulación de loncha en su posición de seguridad;
4. lleve completamente hacia

atrás el plato.

Para el afilado siga estas instrucciones:

- Levantar la tapa de protección del dispositivo de afilado. Tirar del mango de desbloqueo del dispositivo (Fig. M-1) y girarlo en dirección de la cuchilla (Fig. M-2). El dispositivo de afilado se bloqueará en la posición correcta. Pulsar el botón de encendido para arrancar la máquina. Girar la palanca ligeramente poniendo las dos muelas en contacto con la cuchilla durante 10-15 segundos (Fig. M-3). El afilado y el rebado se realizan de forma contemporánea. Pulsar el botón de parada y tirar del mango del dispositivo para que vuelva a la posición inicial. Bajar la tapa de protección del dispositivo de afilado.

 **¡ATENCIÓN!** La muela del afilador se puede extraer fácilmente del grupo del afilador; extráigala en la dirección de la flecha (Fig. I). Se recomienda mantener la muela limpia para un correcto afilado. Elimine la suciedad y la grasa con alcohol y una escobilla de nylon semi-rígido.

### **Lubricación**

Transcurrido un período de uso habitual, podría resultar necesario lubricar las guías del carro. Se aconseja efectuar la operación una vez al mes. Utilice solo aceite no ácido (recomendamos aceite de vaselina). No use aceite vegetal.


Para lubricar la máquina, siga estas indicaciones: 1) desplace el carro lo más cerca posible al operador; 2) introduzca el aceitador en el correspondiente orificio y presione para verter

una pequeña cantidad de aceite; 3) retire el aceitador y deslice el carro 2-4 veces.

## **ASISTENCIA**

El embalaje de suministro no contiene piezas de repuesto. Las reparaciones y cambios (cuchilla, correa, componentes eléctricos, piezas estructurales, etc.) han de ser llevados a cabo exclusivamente por personal autorizado por el fabricante.

Si fuese necesaria una reparación, se recomienda devolver la máquina al fabricante o a un Centro de Servicios Autorizado. Para ampliar la información sobre los centros de servicio, diríjase a: [service@berkelinternational.com](mailto:service@berkelinternational.com).

 **¡ATENCIÓN!** *Es obligatorio sustituir la cuchilla cuando la distancia entre el filo de la cuchilla y el borde interno de la protección supera los 6 mm.*

## **GARANTÍA Y RESPONSABILIDAD**

El fabricante suministra máquinas con una garantía de 24 meses de duración, a partir de la fecha de compra. La garantía solo cubre los defectos detectados haciendo un uso apropiado y según las condiciones de uso previstas por el manual. La garantía no cubre defectos debidos al transporte, incompetencia o negligencia del comprador, instalación o posicionamiento impropio, daños por desgaste, voltaje, superior al 10 % del valor nominal. Además, la garantía no cubre componentes intrínsecamente sujetos a desgaste, como la cuchilla y los muelles del afilador,

excepto en caso de evidente defecto de fabricación.

El fabricante declina toda responsabilidad directa e indirecta derivada de:

- incumplimiento de las instrucciones del manual;
- uso no conforme a la normativa dominante en el país de instalación;
- modificaciones y/o reparaciones en la máquina no autorizadas;
- uso de accesorios y piezas de recambio no originales;
- eventos excepcionales.

La transferencia de propiedad de la máquina implica la exención inmediata de cualquier

responsabilidad por parte del fabricante, a excepción de la observancia de la directiva 2006/42/CE (responsabilidad por cualquier defecto de fabricación del producto).

La placa de identificación ubicada en la base de la máquina indica el fabricante, la máquina la información técnica y el marcado CE.

### **DESGUACE Y ELIMINACIÓN**

La máquina está formada por:

- aleación de aluminio;
- piezas y componentes de ace-

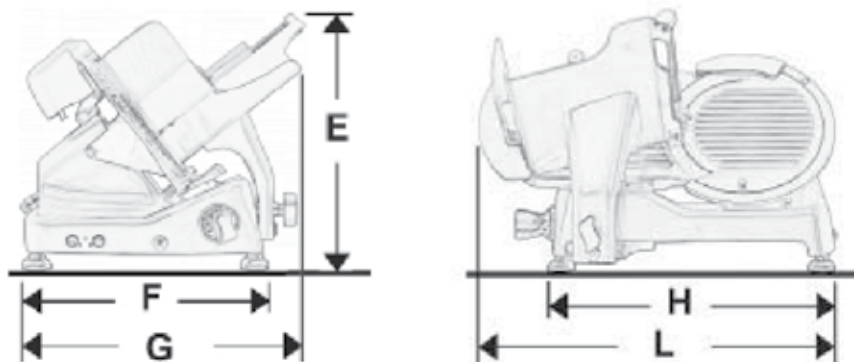
- ro inoxidable;
- componentes eléctricos y cables eléctricos;
- motor eléctrico;
- plástico, etc.

Si la eliminación se encarga a terceros, diríjase solo a empresas autorizadas para eliminar los materiales indicados. La máquina contiene materiales que se pueden recuperar o reciclar. La recogida selectiva correcta facilitará el reciclaje. Finalizada la vida útil, deposite la máquina en un punto de recogida. Las autoridades locales facilitan información sobre la gestión de los residuos.

### **Resolución de problemas**

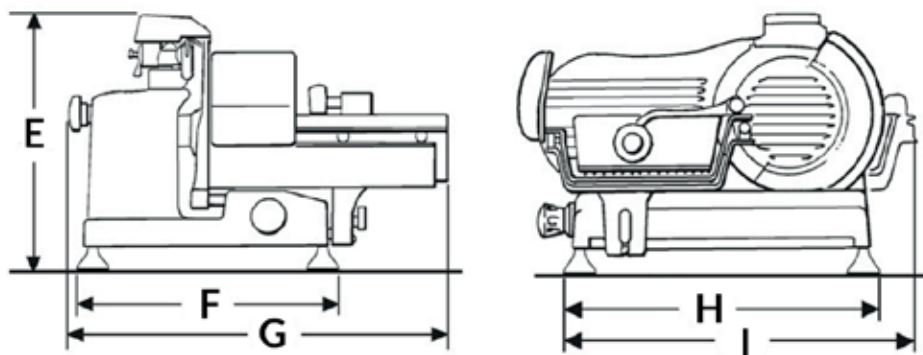
PROBLEMA	CAUSA PROBABLE	SOLUCIÓN
Cuando se pulsa el botón de encendido la máquina no se pone en marcha	Falla de alimentación o circuito de control defectuoso	Compruebe que la clavija esté correctamente enchufada, si el problema continúa contacte con el Centro de Servicios
Cuando se pulsa el botón de encendido la máquina se pone en marcha pero no se enciende el indicador luminoso de funcionamiento	Indicador defectuoso	No utilice la máquina con el indicador luminoso apagado. Contacte con el servicio de asistencia
Excesiva resistencia al corte del producto	Cuchilla desafilada	Aflar la cuchilla
La cuchilla, cuando se somete a esfuerzo, funciona lentamente o se para	Correa aflojada o dañada	Contacte con el centro de servicios para regular o cambiar la correa
Cuando se pulsa el botón de apagado la máquina no se para	Circuito de control defectuoso	Detenga inmediatamente la máquina desenchufándola y llame inmediatamente a un centro de servicio
Excesiva resistencia al desplazamiento de componentes móviles (sujetador de alimentos, carro)	Lubricación de las guías de deslizamiento no realizada periódicamente	Lubricar periódicamente

SLG 315 - 350 -370



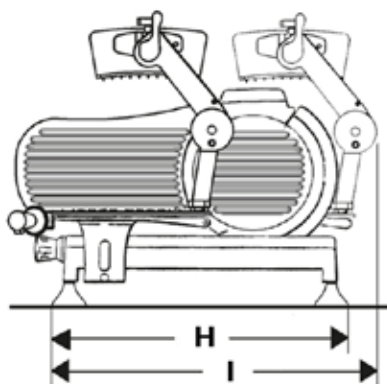
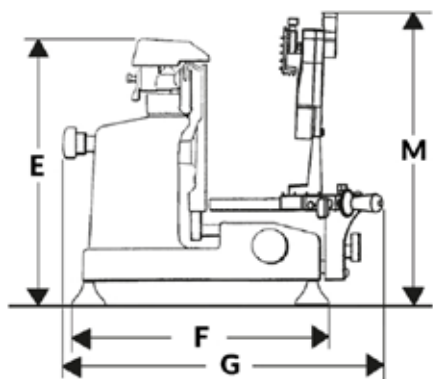
MODELO	SLG315	SLG350	SLG370
E	500 mm	540 mm	540 mm
F	420 mm	490 mm	490 mm
G	740 mm	800 mm	800 mm
H	525 mm	615 mm	615 mm
L	750 mm	800 mm	890 mm
ESPECIFICACIONES			
Ø Diámetro lama	315 mm	350 mm	370 mm
Capacidad máxima de corte	0 -14	0 -14	0 -14
Peso neto	32 kg	44 kg	49 kg
Capacidad (rectangular)	255x160h	300x195h	300x210h
Capacidad (circular)	205 mm	250 mm	265 mm
Potencia motor	0,25   0,30 kW	0,30   0,35 kW	0,30   0,35 kW
Electromotor	230/50/1 - 400/50/3 V - Hz		

## SLH 315 - 350 - 370



MODELO	SLH315	SLH350	SLH370
E	515 mm	550 mm	560 mm
F	450 mm	460 mm	530 mm
G	650 mm	710 mm	800 mm
H	560 mm	570 mm	640 mm
I	670 mm	670 mm	750 mm
ESPECIFICACIONES			
∅ Diametro lama	315 mm	350 mm	370 mm
Capacidad máxima de corte	0 -24	0 -24	0 -24
Peso neto	38 kg	45 kg	56 kg
Capacidad (rectangular)	270x225h	320x270h	370x260h
Capacidad (circular)	225 mm	270 mm	260 mm
Potencia motor	0,30   0,35 kW	0,30   0,35 kW	0,30   0,35 kW
Electromotor	120/60/1 - 220/60/1 - 230/50/1 - 400/50/3 V - Hz	120/60/1 - 220/60/1 - 400/50/3 V - Hz	120/60/1 - 230/50/1 - 400/50/3 V - Hz

SLL 315 - 350 - 370

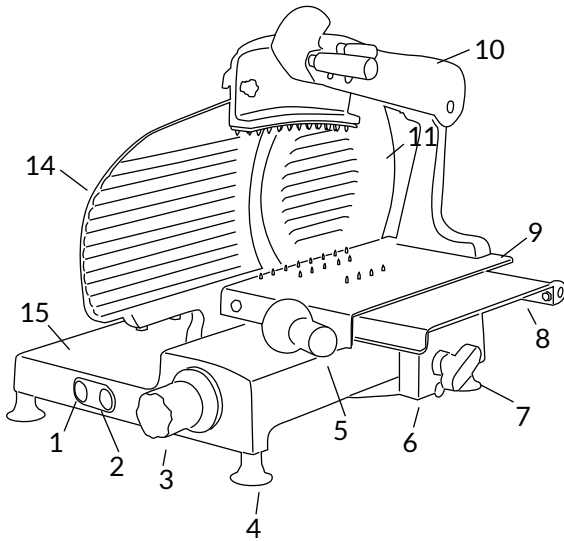


MODELO	SLL315	SLL350	SLL370
E	510 mm	550 mm	560 mm
F	450 mm	450 mm	530 mm
G	640 mm	670 mm	720 mm
H	560 mm	590 mm	640 mm
I	650 mm	710 mm	800 mm
M	670 mm	680 mm	670 mm
ESPECIFICACIONES			
Ø Diámetro lama	315 mm	350 mm	370 mm
Capacidad máxima de corte	0-14	0-14	0-14
Peso neto	40 kg	45 kg	56 kg
Capacidad (rectangular)	290x225h	320x270h	350x280h
Capacidad (circular)	225 mm	270 mm	280 mm
Potencia motor	0,30   0,35 kW	0,30   0,35 kW	0,30   0,35 kW
Electromotor	120/60/1 V - Hz   220/60/1 V - Hz 230/50/1 V - Hz   400/50/3 V - Hz		

Nota: Dada la continua mejora de nuestros productos, las características técnicas están sujetas a posibles variaciones sin previo aviso por parte de nuestra empresa.

## HANDLEIDING: Elektrische snijmachines Domina

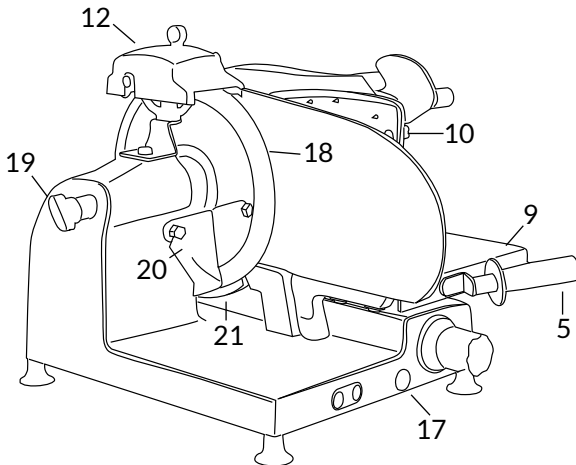
SLL 315 - 350 - 370 | SLH 315 - 350 - 370 | SLG 315 - 350 - 370



SLL 315 - 350 - 370

ONDERDELEN  
VAN DE MACHINE

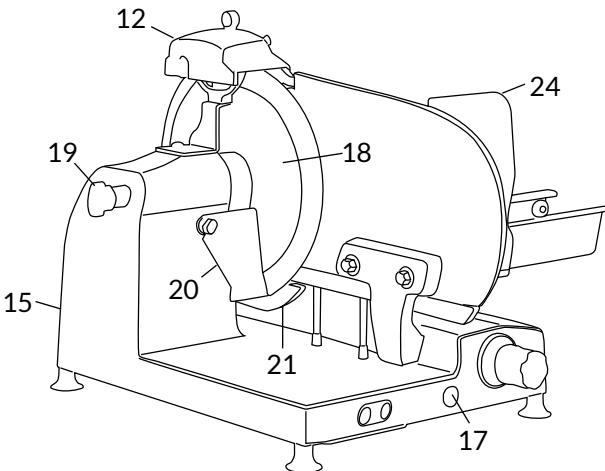
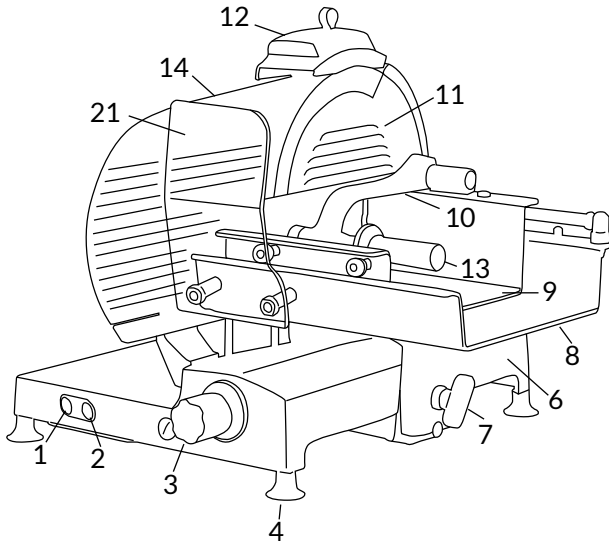
1. Startknop
2. Stopknop
3. Dikteregelaar
4. Poot
5. Vleestafelgreep
6. Tafelsteun
7. Blokkeerknop vleestafel
8. Vleestafel
9. Verstelbare snijtafel
10. Vleesklem
11. Mesplaat (mesbescherming)
12. Slijpparaat
14. Plaat diktemeter (dikteplaat)
15. Onderstel
17. Oliespuit voor smering geleiders
18. Mes
19. Trekstang mesplaat
20. Kroon
21. Veiligheidsring



SLH 315 - 350 - 370

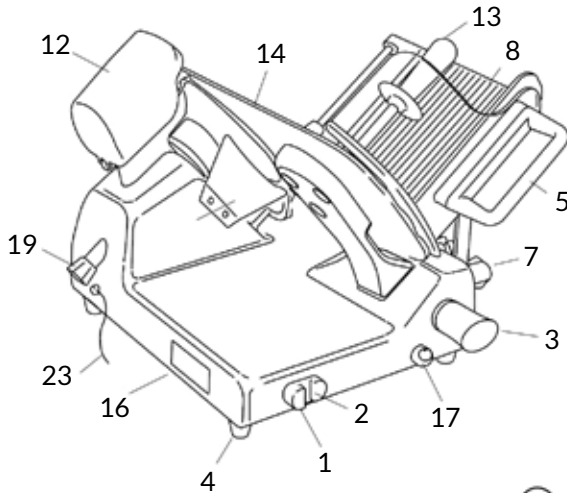
### ONDERDELEN VAN DE MACHINE

1. Startknop
2. Stopknop
3. Dikteregelaar
4. Poot
6. Tafelsteun
7. Blokkeerknop vleestafel
8. Vleestafel
9. Verstelbare snijtafel
10. Vleesklem
11. Mesplaat (mesbescherming)
12. Slijpparaat
13. Greep van vleesklem
14. Plaat diktemeter (dikteplaat)
15. Onderstel
17. Oliespuit voor smering geleiders
18. Mes
19. Trekstang mesplaat
20. Kroon
21. Veiligheidsring
24. Beveiliging tafel

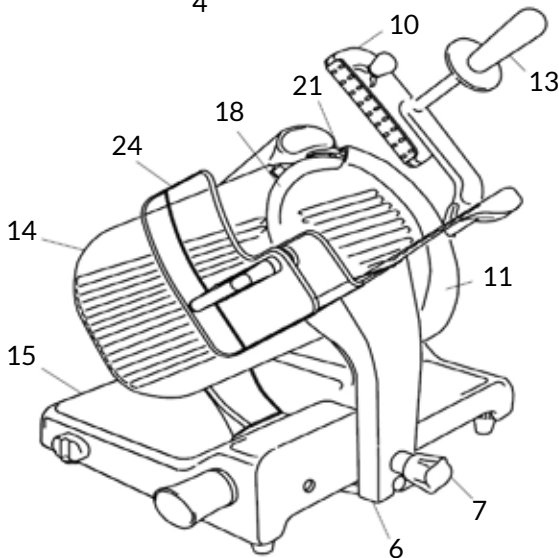


## SLG 315 - 350 - 370

### ONDERDELEN VAN DE MACHINE



1. Startknop
2. Stopknop
3. Dikteregelaar
4. Poot
5. Vleestafelgreep
6. Tafelsteun
7. Blokkeerknop vleestafel
8. Vleestafel
10. Vleesklem
11. Mesplaat (mesbescherming)
12. Slijpparaaat
13. Greep van vleesklem
14. Plaat diktemeter (dikteplaat)
15. Onderstel
16. Typeplaatje, technische gegevens, CE-markering
17. Oliespuit voor smering geleiders





## BESCHRIJVING

---

Professionele snijmachines met rond mes, ontworpen voor het snijden van levensmiddelen van het soort en met de afmetingen beschreven in deze handleiding. Afbeelding 2 toont de hoofdonderdelen van de machine. Afbeelding 1 toont het schakelschema.

## VERKLARING VAN OVEREENSTEMMING

---

De machines beschreven in deze handleiding stemmen overeen met de richtlijnen 2006/42/EG, 2006/95/EG, 2004/108/EG, 2003/108/EU, 2011/65/EG, het Europese reglement (EG) 1935/2004 en de desbetreffende normen EN 1974:1998 +A1, EN60204-1, EN60335-1, EN60335-2-64.



## VEILIGHEID

---

Let voor uw veiligheid goed op de volgende aanwijzingen:

- lees aandachtig de aanwijzingen door voordat u de machine gebruikt;
- het product mag niet worden gebruikt door kinderen;
- gebruik de machine uitsluitend als u voldoende ingelicht bent en u in perfecte lichamelijke en geestelijke toestand verkeert;
- gebruik de machine op geen enkele andere wijze dan dege- ne die in deze handleiding is beschreven;
- installeer de machine in overeenstemming met de aanwijzingen beschreven in de para- graaf 'Installatie';
- gebruik de machine uitslui- tend wanneer de structuur, de

mechanica en de installatie in perfecte staat verkeren;

- installeer de machine op een plaats buiten bereik van men- sen en met name kinderen die niet in het gebruik betrokken zijn;
- wees geconcentreerd tijdens het gebruik van de machine, laat u niet afleiden;
- laat de machine niet gebrui- ken door personeel dat de in- houd van deze handleiding niet gelezen en begrepen heeft;
- geen loshangende kleding of kleding met wijde mouwen dragen;
- sta nooit toe dat iemand an- ders dan de gebruiker de ma- chine tijdens het snijden van het product benadert;
- de plaatjes van de machine niet verwijderen, afdekken of wijzigen en ze onmiddellijk vervangen wanneer ze bescha- digd raken;
- de transparante beveiligin- gen niet verwijderen of wijzi- gen en de elektrische en me- chanische beveiligingen niet omzeilen;
- snij uitsluitend de toegestane producten, probeer geen ver- boden producten te snijden;
- houd het steunvlak van het gesneden product, het werk- blad rondom de machine en de vloer waar de gebruiker op staat altijd schoon en droog;
- de machine niet gebruiken als een steunvlak en er geen voor- werpen op aanbrengen die niet tijdens de normale snijwerk- zaamheden nodig zijn;
- de snijmachine niet gebrui- ken als de afstand tussen de snede van het mes en de mes- bescherming door normale slij- tage groter dan 6 mm is gewor- den. Neem in dit geval contact op met de fabrikant of een van de erkende servicecentra om

het mes te laten vervangen;

- gebruik de machine niet met 'zwevende' elektrische aanslui- tingen met tijdelijke of niet-ge- isoleerde kabels;
  - controleer regelmatig de staat van de voedingskabel en de kabelwartel op het huis van de machine; vervang de kabel onmiddellijk wanneer dit nodig is. Wend u voor de ingreep tot gekwalificeerd personeel;
  - leg de machine onmiddellijk stil in het geval van een defect, een vreemde werking, een vermeende breuk, verkeerde bewegingen of vreemde gelui- den;
  - haal de machine van de elek- trische voeding los alvorens reinigingen of onderhoud te verrichten;
  - gebruik beschermende hand- schoenen voor de reiniging en het onderhoud;
  - breng het te snijden product op de snijtafel aan en verwijder het ervan wanneer de wagen helemaal naar achteren is be- wogen en de knop van de dik- teregelaar in de veilige stand is geplaatst;
  - gebruik uitsluitend de greep op de arm of de handgreep van de vleesklem voor het ver- plaats van de vleestaaf tij- dens het snijden;
  - het is niet toegestaan om snij- accessoires te gebruiken die de fabrikant niet samen met de machine heeft geleverd.
- De fabrikant acht zich niet di- rect of indirect aansprakelijk voor een oneigenlijk gebruik, onbevoegde wijzigingen en/of reparaties aan de machine of het gebruik van niet-originele accessoires en onderdelen.
- De machine mag niet worden gebruikt in de openlucht en/ of op plaatsen waar ze wordt blootgesteld aan weersinvloe-

den en in ruimtes waar vocht, bijtende en/of schurende dampen of stof aanwezig zijn, in ruimtes waar brand- of explosiegevaar bestaat en in elke ruimte waar het gebruik van explosieveilige componenten wordt voorgeschreven.

Gebruiksomstandigheden:

- Temperatuur -5° C tot +40° C
- Max. vochtigheid 95%


NIET SNIJDEN:

- bevroren levensmiddelen;
- diepgevroren levensmiddelen;
- levensmiddelen met bot (vlees en vis);
- elk ander product dat geen levensmiddel is.

## RESTRISICO'S

---


De veiligheidsring rondom het mes stemt overeen met de Europese norm EN 1974:1998 +A1. Desondanks verwijdert de bescherming van de slijpzone niet volledig het gevaar voor snijwonden.

 **OPGELET! Gevaar voor snijwonden! Zorg ervoor dat u de handen zo ver mogelijk bij de onbeschermd zone verwijderd houdt tijdens het schoonmaken en slijpen van het mes. Het gebruik van beschermende handschoenen wordt aanbevolen.**

## INSTALLATIE

---

Installeer de machine op een hoogte van maximaal 90 cm op een droge, gladde en vlakke ondergrond die het gewicht van de machine en het te snijden product kan dragen.

 **WAARSCHUWING:** Verifieer of de vleestafel ongehinderd kan bewegen en

of het te snijden product zonder problemen op de vleestafel kan worden geplaatst.

Installeer de machine in de buurt van een stopcontact die overeenstemt met de EEG-normen en die is aangesloten op een installatie die voldoet aan de toepasselijke normen inzake:

- magnetothermische beveiliging;
- automatische differentieel-schakelaar (aardlekschakelaar);
- aarding.


Verifieer of de eigenschappen van het elektriciteitsnet met de gegevens op het typeplaatje van de machine overeenstemmen, alvorens de machine erop aan te sluiten.

 **OPGELET!** Controleer in het geval van driefasige machines de richting waarin het mes draait. Controleer of het mes in de veilige stand is gesloten en druk op de startknop (1) om de machine te starten: kijk naar het mes vanuit de zijde van de vleestafel. Het mes moet linksom en dus neerwaarts naar de zijde van de gebruiker draaien (Afb. B).

## GEBRUIK VAN DE SNIJMACHINE

---

### HANDMATIGE WERKING

 **OPGELET!** Scherp mes, gevaar voor snijwonden! Controleer of de knop van de dikteregelaar (3) in de veilige stand (stand 0) (Afb. A) is geplaatst.

- Controleer of de machine is uitgeschakeld. Druk op de stopknop (2) als dit niet het geval is;
- beweeg de vleestafel (8) vol-

ledig achteruit naar de gebruiker, in de stand waarin het product kan worden aangebracht;

- klap de vleesklem (10) omhoog en plaats hem in de ruststand;

- plaats het te snijden product op de vleestafel:

- **SLL 315-350-370, SLH**

- **315-350-370:** verwijder de snijplaat van de dikteplaat vandaan; breng het te snijden product aan tegen de rand op de vleestafel, aan de zijde van de gebruiker;

- **SLG 315-350-370:** breng het te snijden product aan tegen de rand op de vleestafel, aan de zijde van de gebruiker; blokkeer de vleesklem met een zekere druk; in het geval van zwaartekrachtmodellen zal het te snijden product door het gewicht op de vleestafel drukken;


- regel de dikte van de plak met de specifieke knop (3). Schakel het mes (18) in met een druk op de startknop (1). Pak de greep van de vleesklem (13) vast en start de snijbeweging;
- In het geval van zwaartekrachtmodellen kunt u de greep van de vleesklem gebruiken als door het gewicht of de afmeting van het te snijden product het niet langer mogelijk is om enkel met behulp van de zwaartekracht plakken te snijden;


- plaats de knop van de dikteregelaar aan het einde van de snijwerkzaamheden in de veilige stand en trek de wagen naar achteren. Breng het mes tot stilstand met een druk op de stopknop (2);

- verwijder de snijplaat van de dikteplaat vandaan en verwijder het product.

## REINIGING

Houd de machine goed schoon. Maak de machine wanneer ze gebruikt wordt minstens eenmaal per dag of zelfs vaker schoon. We adviseren om de machine ook vóór het gebruik schoon te maken als ze een tijd lang niet is gebruikt.

 **OPGELET!** *Elektrocutie-gevaar! Haal de stekker uit het stopcontact en plaats de knop van de dikteregelaar in de veilige stand, alvorens de machine schoon te maken.*

 **OPGELET!** Scherp mes, gevaar voor snijwonden! Controleer of de knop van de dikteregelaar (3) in de veilige stand (stand 0) (Afb. A) is geplaatst.

Schoonmaakmiddelen:  
DE COMPONENTEN NIET IN DE VAATWASSER WASSEN!  
Gebruik uitsluitend water en een biologisch afbreekbaar schuimend afwasmiddel met PH 7-8, een zachte spondoek en een halfzachte nylon borstel voor de zones van de vleestafel en de puntige vleesklem. Maak de machine niet schoon met waterstralen of stoom of soortgelijke methoden.


**Reiniging van de snijplaat SLL 315-350-370, SLH 315-350-370**


- SLL 315-350-370: trek de snijplaat naar achteren, met een metalen klink weet de gebruiker dat de vleestafel is vergrendeld. Til de vleestafel volledig op (Afb. E-1); reinig de snijplaat en herhaal de stappen in omgekeerde volgorde om de snijplaat opnieuw te plaatsen.  
- SLH 315-350-370: losdraai-

en door de bevestigingshendel van de vleestafel linksom te draaien; trek de snijplaat naar achteren, met een metalen klink weet de gebruiker dat de vleestafel is vergrendeld. Verwijder de snijplaat van de dikteplaat vandaan en til de vleesklem op (Afb. F-1); Reinig de snijplaat en beweeg de vleesklem omhoog; til de snijplaat op en reinig de vleestafel (Afb. F-2); ontgrendel de vleestafel door de bevestigingshendel linksom te draaien.

**Vleestafel verwijderen (SLG 315-350-370)**

- plaats de knop van de dikteregelaar (3) in de veilige stand (Afb. A, Afb. D-1), verplaats de vleestafelsteun (6) helemaal naar achteren in de richting van de gebruiker (Afb. D-2);  
- draai de blokkeerknop (7) helemaal linksom (Afb. D-3) met de vleestafelsteun helemaal naar achteren verplaatst, tot u waarneemt dat de veiligheidsblokkering van de dikteplaat geactiveerd wordt;  
- Trek de vleestafel naar boven door deze uit de steun te halen.

 **OPGELET!** Controleer of de vleesklem op de vleestafel neergeklapt is, voordat u de vleestafelsteun verwijdert.

 **OPGELET!** Houd de knop van de dikteregelaar in de veilige stand "0".


**Vleesklem verwijderen (SLG 315-350-370)**

draai aan de greep en haal de vleesklem weg (Afb. G).

**Mesplaat verwijderen (11)**

- de greep van de trekstang mesplaat (19) losdraaien door linksom te draaien;  
- op de greep van de trekstang

drukken en de mesplaat optillen om het te verwijderen.

 **OPGELET!** Wanneer de mesplaat is verwijderd brengt een vergrendelingsmechanisme de rotatie van het mes tot stilstand.

**Kroon (20) verwijderen**

Draai de bevestigingsschroef (f) (ven) los en verwijder de kroon.

Voor de zwaartekracht versies SLG: draai de borgpen los en draai de kroon naar beneden om deze uit de pen te verwijderen.

**Slijpparaat (12)**

Maak de behuizing schoon met een vochtige doek, dompel het niet onder in water

Maak het volgende schoon:

- mes: druk een vochtige doek tegen het oppervlak van het mes en verplaats de doek aan de zijde van de mesplaat en aan de andere zijde langzaam vanuit het midden naar buiten, zie de afbeelding. Maak het mes op dezelfde wijze droog met een droge doek. Schakel de machine NOOIT in tijdens het schoonmaken;  
- veiligheidsring: maak de zone tussen het mes en de veiligheidsring schoon met een halfzacht nylon borsteltje. Zorg er daarbij voor dat de handen niet te dicht in de buurt van het mes komen;

- machinebehuizing: maak de machinebehuizing schoon met een vochtige doek of een spons en spoel met water af. Maak zorgvuldig droog;  
- slijpparaat: 1) maak de behuizing schoon met een vochtige doek en maak de slijpstenen schoon met een halfzacht nylon borsteltje; 2) dompel

het slijpparaat niet onder in water. De slijpsteen kan eenvoudig uit het slijpparaat worden verwijderd door het in de richting van de pijl weg te trekken (Afb. I). Het is raadzaam om voor een correcte slijping de slijpsteen schoon te houden. Verwijder vuil en vet met alcohol en een halfzacht nylon borsteltje.

**!** **OPGELET!** Maak alle gedemonteerde delen afzonderlijk schoon met lauw water en een NIET-AGRESSIEF afwasmiddel, met een pijpenrager of een doek. Afspoelen met warm water en droogmaken.

Voer de installatie uit volgens de instructies, in omgekeerde volgorde

## VERWIJDERING VAN HET MES

---

**!** **OPGELET!** Gebruik alleen originele apparatuur!

**!** **OPGELET!** Gevaar voor snijwonden! Alleen te gebruiken nadat u zorgvuldig de instructies die bij het apparaat zijn geleverd hebt gelezen.

Als er een apparaat voor het uittrekken van het mes is aangeschaft is het raadzaam voor het verwijderen van het mes zorgvuldig de betreffende handleiding die bij het apparaat is geleverd te raadplegen.

## ONDERHOUD

---

### Slijpen

De regelmaat en de duur van het slijpen hangen af van het gebruik van de apparatuur.

Voordat u met het slijpen aanvangt:

1. controleer of de machine is uitgeschakeld;
2. controleer of de slijpstenen en het mes schoon zijn;
3. plaats de knop van de dikte-regelaar in de veilige stand;
4. verplaats de vleestafel helemaal naar achteren.

Volg de aanwijzingen om verder te gaan met het slijpen:

- Til de beschermkap van het slijpparaat omhoog. Trek aan de ontgrendelingshendel van het slijpparaat (Afb. M-1) en draai het in de richting van het mes (Afb. M-2). Het slijpparaat wordt in de juiste positie vergrendeld. Druk op de startknop om de machine te starten. Draai de hendel lichtjes, waardoor de twee slijpstenen 10-15 seconden in contact met het mes komen (Afb. M-3). Het slijpen en verwijderen van bramen vinden gelijktijdig plaats. Druk op de stopknop en trek aan de greep van het apparaat om het terug te zetten in de oorspronkelijke positie. Laat de beschermkap van het slijpparaat zakken.

**!** **OPGELET!** De slijpsteen kan eenvoudig uit het slijpparaat worden verwijderd door het in de richting van de pijl weg te trekken (Afb. I). Het is raadzaam om voor een correcte slijping de slijpsteen schoon te houden. Verwijder vuil en vet met alcohol en een halfzacht nylon borsteltje.

### Smere

Na een regelmatig gebruik kan het zijn dat u de geleiders van de wagen moet smeren. We adviseren om deze handeling eenmaal per maand te ver-

richten. Gebruik uitsluitend niet-zure olie (we adviseren vaseline-olie). Geen plantaardige olie gebruiken.

Volg de onderstaande aanwijzingen voor het smeren van de machine: 1) verplaats de wagen zo dicht mogelijk naar de gebruiker; 2) breng de oliespuit aan in het gat en voer een kleine hoeveel olie in; 3) verwijder de oliespuit en laat de wagen 2-4 keer bewegen.

## ASSISTENTIE

---

In de verpakking zijn geen vervangende onderdelen aangebracht. Reparaties en vervangingen (zoals het vervangen of repareren van het mes, de riem, de elektrische componenten, onderdelen van de structuur, enz.) mogen uitsluitend worden verricht door personeel dat door de fabrikant is aangewezen.

Stuur de machine naar de fabrikant of een erkend servicecentrum als een reparatie nodig is. Wend u tot [service@berkelinternational.com](mailto:service@berkelinternational.com) voor informatie over de servicecentra.

**!** **OPGELET!** *Het mes moet worden vervangen wanneer de afstand tussen de snede van het mes en de binnenste rand van de bescherming groter dan 6 mm is.*

## GARANTIE EN AANSPRAKELIJKHEID

---

De machines van de fabrikant worden gedekt door een garantie van 24 maanden met ingang van de aankoopdatum. De garantie dekt uitsluitend defecten die worden vastgesteld bij een correct gebruik in overeen-

stemming met de aanwijzingen van de handleiding. De garantie dekt geen schade veroorzaakt door het transport, nalatigheid of onbekwaamheid van de koper, een verkeerde installatie of plaatsing, slijtage of een spanning die meer dan 10% hoger dan de nominale waarde is. De garantie dekt geen intrinsiek slijtagegevoelige onderdelen, zoals het mes en de slijpstenen van het slijpparaat, tenzij er sprake is van een duidelijk defect in de productie.

De fabrikant acht zich niet direct of indirect aansprakelijk voor:

- de veronachtzaming van de aanwijzingen van deze handleiding;
- gebruik zonder naleving van de toepasselijke wetgeving van het land van installatie;

- onbevoegde reparaties en/of wijzigingen aan de machine;
- gebruik van niet-originele accessoires of onderdelen;
- buitengewone gebeurtenissen.

Bij een eigendomsoverdracht komt elke vorm van aansprakelijkheid van de fabrikant te vervallen, m.u.v. de naleving van de richtlijn 2006/42/EG (aansprakelijkheid voor elk defect in de productie van het product).

Het typeplaatje op het onderstel van de machine bevat de fabrikant, de machine, de technische informatie en de CE-markering.

### **AFBRAAK EN VERWIJDERING**

De machine is gemaakt van:

- aluminiumlegering;

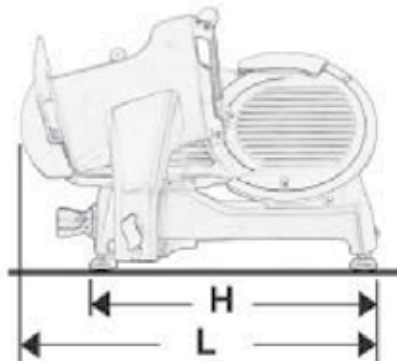
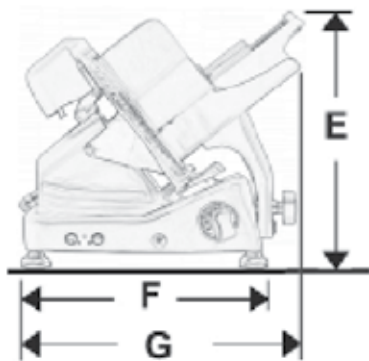
- diverse componenten en elementen van roestvrij staal;
- elektrische onderdelen en kabels;
- elektromotor;
- kunststof, enz.

Wend u uitsluitend tot erkende bedrijven voor de eliminatie van de bovengenoemde materialen als de verwijdering door derden wordt verricht. Het apparaat stemt overeen met de richtlijnen EU 2012/19/EU. Het apparaat bevat materialen die teruggewonnen of gerecycled kunnen worden. Een correcte gescheiden inzameling ervan bevordert de recycling. Breng het apparaat aan het einde van de levensduur naar een inzamelpunt. Bij de lokale autoriteiten kunt u informatie inwinnen over de verwijdering.

## **Problemen oplossen**

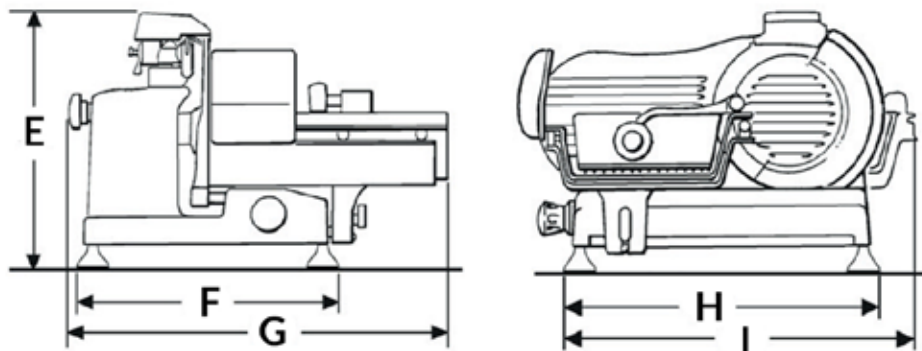
PROBLEEM	MOGELIJKE OORZAAK	OPLOSSING
De machine schakelt niet in wanneer op de startknop wordt gedrukt	Geen voeding of controlecircuit defect	Controleer of de stekker goed is aangebracht. Neem contact op met het servicecentrum als het probleem niet kan worden verholpen
De machine schakelt in wanneer op de startknop wordt gedrukt, maar het lampje "machine aan" gaat niet branden	Lampje defect	De machine niet gebruiken als het lampje niet brandt. Contact opnemen met het servicecentrum
Te grote weerstand bij het snijden van het product	Het mes is bot	Slijp het mes
Bij belasting draait het mes langzamer of komt het tot stilstand	De riem kan losgeraakt of beschadigd zijn	Neem contact op met het servicecentrum om de riem te laten afstellen of vervangen
De machine stopt niet wanneer op de stopknop wordt gedrukt	Bedieningscircuit defect	Schakel de machine onmiddellijk uit, haal de stekker uit het stopcontact en neem onmiddellijk contact op met het servicecentrum
Te veel weerstand bij de verplaatsing van de bewegende componenten (vleesklem, wagen)	Geleiders niet regelmatig gesmeerd	De periodieke smering verrichten

SLG 315 - 350 -370



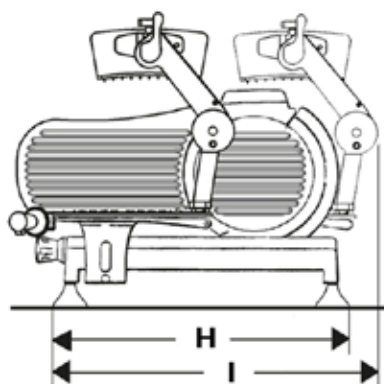
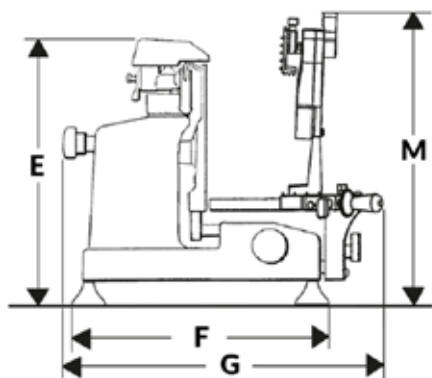
MODELLEN	SLG315	SLG350	SLG370
E	500 mm	540 mm	540 mm
F	420 mm	490 mm	490 mm
G	740 mm	800 mm	800 mm
H	525 mm	615 mm	615 mm
L	750 mm	800 mm	890 mm
SPECIFICATIES			
ø Mesdiameter	315 mm	350 mm	370 mm
Maximale snijdikte	0 -14	0 -14	0 -14
Nettogewicht	32 kg	44 kg	49 kg
Snijcapaciteit (rechthoekig)	255x160h	300x195h	300x210h
Snijcapaciteit (rond)	205 mm	250 mm	265 mm
Vermogen motor	0,25   0,30 kW	0,30   0,35 kW	0,30   0,35 kW
Elektrische specificaties	230/50/1 - 400/50/3 V - Hz		

SLH 315 - 350 - 370



MODELLEN	SLH315	SLH350	SLH370
E	515 mm	550 mm	560 mm
F	450 mm	460 mm	530 mm
G	650 mm	710 mm	800 mm
H	560 mm	570 mm	640 mm
I	670 mm	670 mm	750 mm
SPECIFICATIONS			
ø Mesdiameter	315 mm	350 mm	370 mm
Maximale snijdikte	0-24	0-24	0-24
Nettogewicht	38 kg	45 kg	56 kg
Snijcapaciteit (rechthoekig)	270x225h	320x270h	370x260h
Snijcapaciteit (rond)	225 mm	270 mm	260 mm
Vermogen motor	0,30   0,35 kW	0,30   0,35 kW	0,30   0,35 kW
Elektrische specificaties	120/60/1 - 220/60/1 - 230/50/1 - 400/50/3 V - Hz	120/60/1 - 220/60/1 - 400/50/3 V - Hz	120/60/1 - 230/50/1 - 400/50/3 V - Hz

SLL 315 - 350 - 370



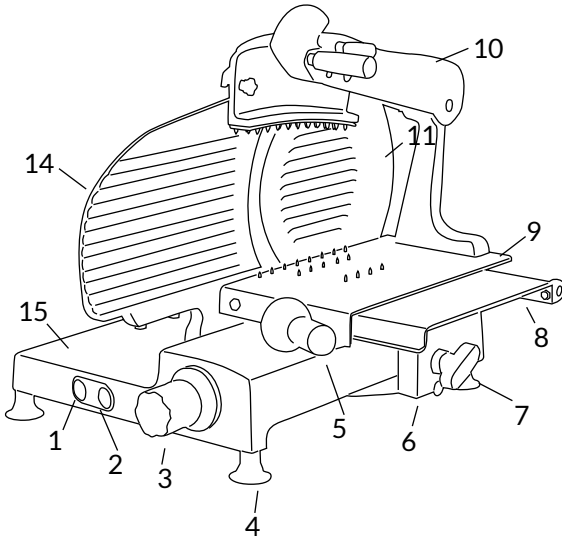
MODELLEN	SLL315	SLL350	SLL370
E	510 mm	550 mm	560 mm
F	450 mm	450 mm	530 mm
G	640 mm	670 mm	720 mm
H	560 mm	590 mm	640 mm
I	650 mm	710 mm	800 mm
M	670 mm	680 mm	670 mm
SPECIFICATIES			
Ø Mesdiameter	315 mm	350 mm	370 mm
Maximale snijdikte	0 -14	0 -14	0 -14
Nettogewicht	40 kg	45 kg	56 kg
Snijcapaciteit (rechthoekig)	290x225h	320x270h	350x280h
Snijcapaciteit (rond)	225 mm	270 mm	280 mm
Vermogen motor	0,30   0,35 kW	0,30   0,35 kW	0,30   0,35 kW
Elektrische specificaties	120/60/1 V - Hz   220/60/1 V - Hz 230/50/1 V - Hz   400/50/3 V - Hz		

Opmerking: Zoals we voortdurend verbeteren van onze producten, kunnen de specificaties zonder voorafgaande kennisgeving worden gewijzigd.



SLL 315 - 350 - 370

MASKINDELER



1. Startknapp
2. Stoppknapp
3. Bryter for regulering av skivetykkelse
4. Fot
5. Håndtak plateskyver
6. Platestøtte
7. Bryter for låsing av platen
8. Produktholderplate
9. Bevegelig plateholder
10. Produktskyver
11. Skjærebladdeksel (skjærebladdeksel)
12. Slipeenhet
14. Tykkelsesplate (plate)
15. Sokkel
17. Smøreinnetning for spor
18. Skjæreblad
19. Blokkeringsinnretning skjærebladdeksel
20. Skiveleder
21. Sikkerhetsring

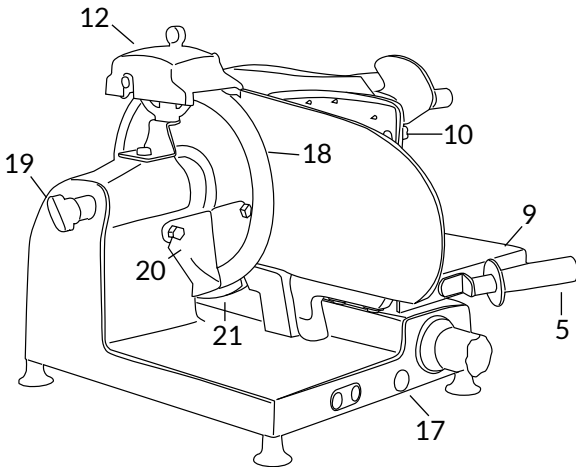


Fig. 2

SLH 315 - 350 - 370

### MASKINDELER

1. Startknapp
2. Stoppknapp
3. Bryter for regulering av skivetykkelse
4. Fot
6. Platestøtte
7. Bryter for låsing av platen
8. Produktholderplate
9. Bevegelig plateholder
10. Produktskyver
11. Skjærebladdeksel (skjærebladdeksel)
12. Slipeenhet
13. Håndtak for produktskyver
14. Tykkelsesplate (plate)
15. Sokkel
17. Smøreinnetning for spor
18. Skjæreblad
19. Blokkeringsinnretning skjærebladdeksel
20. Skiveleder
21. Sikkerhetsring
24. Sikkerhetsbeskyttelse for plate

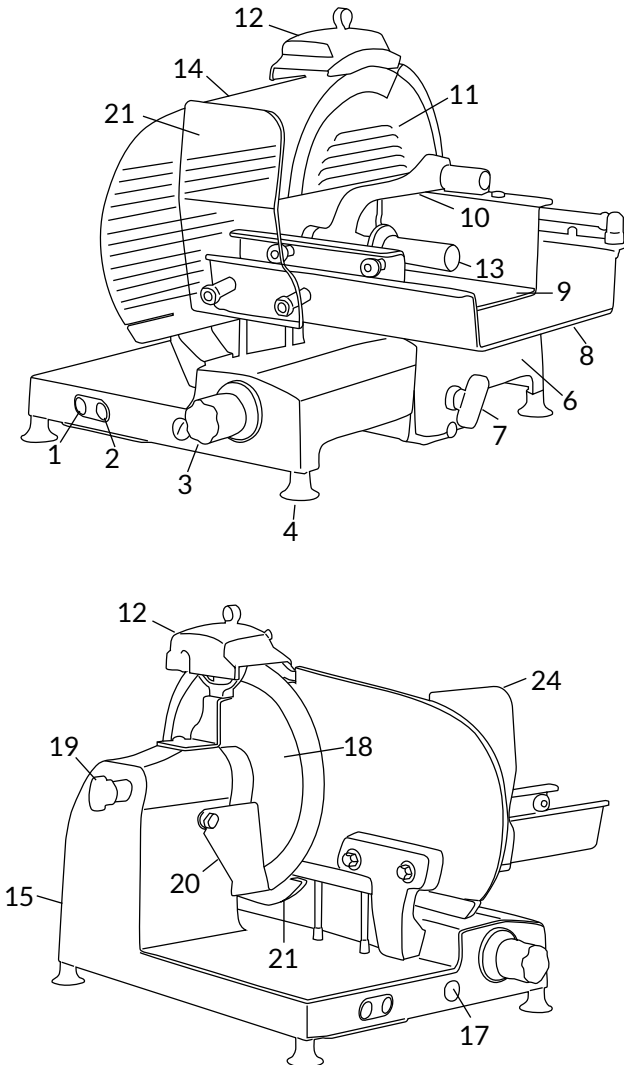


Fig. 2

## SLG 315 - 350 - 370

### MASKINDELER

1. Startknapp
2. Stoppknapp
3. Bryter for regulering av skivetykkelse
4. Fot
5. Håndtak plateskyver
6. Platestøtte
7. Bryter for låsing av platen
8. Produktholderplate
10. Produktskyver
11. Skjærebladdeksel (skjærebladdeksel)
12. Slipeenhet
13. Håndtak for produktskyver
14. Tykkelsesplate (plate)
15. Sokkel
16. Typeskilt, tekniske data, CE-merking
17. Smøreinnetning for spor
18. Skjæreblad
19. Blokeringsinnretning skjærebladdeksel
20. Skiveleder
21. Sikkerhetsring
22. Blokk
23. Strømkabel
24. Sikkerhetsbeskyttelse for plate

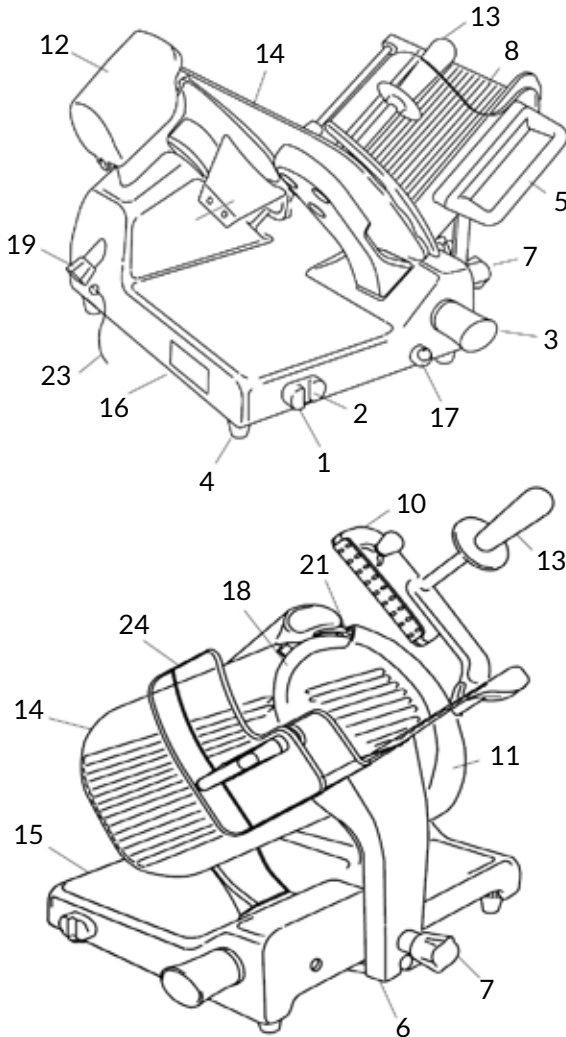


Fig. 2

## BESKRIVELSE

---

Profesjonelle skjæremaskiner med rundt skjæreblad, laget utelukkende for oppskjæring av matvarer av den typen og innenfor de dimensjonsgrensene som er angitt i denne bruksanvisningen. De viktigste delene som maskinen består av er illustrert i figur 2. Det elektriske skjemaet er angitt i figur 1.

## SAMSVARERKLÆRING

---

Maskinene som er beskrevet i denne bruksanvisningen er i samsvar med direktivene 2006/42/EF, 2006/95/EF, 2004/108/EF, 2003/108/EF, 2011/65/EF, med Europadirektivet (EF) 1935/2004 og tilhørende normativer EN 1974:1998 +A1, EN60204-1, EN60335-1, EN60335-2-64.



## SIKKERHET

---

For din egen sikkerhet, vær oppmerksom på følgende instruksjoner:

- les alle instruksjonene grundig før du bruker maskinen;
- produktet er ikke laget for å brukes av barn;
- bruk kun maskinen hvis du har fått skikkelig opplæring og er i utmerket fysisk og mental form;
- ikke bruk maskinen på noen måte annen den som er angitt i denne bruksanvisningen;
- installer maskinen i overensstemmelse med instruksjonene gitt i kapittelet 'Installasjon';
- bruk bare maskinen hvis den er perfekt strukturell, mekanisk og tilkoblingsmessig stand;

- installer maskinen på et sted der den er utenfor utenforståendes og særlig barns, rekkevidde;
- bruk maskinen med maksimal konsentrasjon, ikke la deg distrahere under bruk;
- ikke la maskinen brukes av personale som ikke har lest og forstått innholdet i denne bruksanvisningen til fulle;
- ikke bruk løstsittende plagg eller plagg med vide ermer;
- ikke la noen, bortsett fra operatøren, nærme seg maskinen mens den er i funksjon;
- ikke fjern, dekk til eller endre etikettene som er plassert på selve maskinen. Skift dem ut hvis de skulle bli skadet;
- ikke fjern de gjennomsiktede beskyttelsene og ikke endre eller utelukke mekaniske beskyttelser;
- skjær kun opp tillatte produkter, forsøk aldri å skjære opp produkter som ikke er tillatt;
- hold alltid området der det oppskårede produktet plasseres, arbeidsområdet rundt hele maskinen og gulvet der operatøren står rent og tørt;
- ikke bruk maskinen til å legge fra deg ting og ikke legg noen ting som ikke angår selve skjæreoperasjonen på maskinen;
- ikke bruk skjæremaskinen når avstanden mellom kanten på skjærebladet og sikkerhetsringen som beskytter bladet, som følge av normal slitasje, har oversteget 6 mm. I så tilfelle må du kontakte produsenten eller et autorisert serviceverksted for å få bladet skiftet ut;
- ikke bruk maskinen med elektriske koblinger av den provisoriske typen, slik som provisoriske eller ikke isolerte kabler;
- kontroller regelmessig tilstanden til strømkabelen og hylsen på maskinens hoveddel,

skift dem ut om nødvendig. Når det er behov for inngrep, ta kontakt med kvalifisert personale;

- stans maskinen umiddelbart i tilfelle av defekter, unormal bruk, mistanke om skader, feilaktige bevegelser, uvanlige lyder;
  - før du foretar rengjøring eller vedlikehold må du alltid koble maskinen fra strømmettet;
  - bruk vernehansker for rengjøring og vedlikehold;
  - plasser og flytt varene som skal skjæres opp på den bevegelige platen kun med vognen helt trukket tilbake og med bryteren for regulering av tykkelse plassert i sikkerhetsposisjon;
  - or å bevege produktholderplaten under skjæring må du kun bruke håndtaket plassert på armen eller håndtaket på produktskyveren;
  - det er ikke tillatt å bruke skjæretilbehør som ikke har blitt levert av produsenten sammen med maskinen. Produsenten fraskriver seg alt direkte og indirekte ansvar for situasjoner som skyldes upassende bruk, uautoriserte endringer og/eller reparasjoner utført på maskinen, eller bruk av ikke originale reservedeler og tilbehør.
- Maskinen må ikke brukes utendørs og/eller utsatt for vær og vind, eller på steder der det finnes damp, røyk eller korroderende og/eller slipende støv, der det er fare for brann eller eksplosjon eller uansett der anvendelse av brannsikre komponenter er forutsatt.

Bruksbetingelser:

- Temperatur fra -5°C til +40°C
- Maks. fuktighet 95%

## IKKE SKJÆR OPP:

- dypfrysede matvarer;
- frosne matvarer;
- matvarer med bein (kjøtt og fisk);
- lle eventuelle produkter som ikke er matvarer.

## RESTRISIKO

---

Sikkerhetsringen rundt bladet er laget i samsvar med den europeiske standarden EN 1974:1998 +A1, men beskyttelsen av skjæreområdet kan likevel ikke fjerne faren for kutt fullstendig.

**⚠ ADVARSEL! Fare for kutt!** Under rengjøring av og sliping av skjærebladet må du holde maksimal forsiktighet og tvise hendene lengst mulig borte fra det ubeskyttede området. Vi anbefaler at du bruker beskyttende hansker.

## INSTALLASJON

---

Installer maskinen i en høyde på maksimalt 90 cm, på et jevnt og glatt underlag som er i stand til å tåle vekten av selve maskinen pluss varene som skal skjæres opp.

**⚠ OBS:** Kontroller at det ikke forekommer noen hindringer for platens løp og for plassering av varene som skal skjæres opp på selve platen.

Kontroller at det ikke forekommer noen hindringer for platens løp og for plassering av varene som skal skjæres opp på selve platen:

- magnetotermisk beskyttelse;
- automatisk skillebryter;
- jording.

Før du kobler til maskinen må

du kontrollere at egenskapene for strømmettet er i samsvar med dem som er angitt på maskinens merkeetikett.

**⚠ ADVARSEL!** For maskiner utstyrt med trefaset motor må du kontrollere bladets retning. Etter å ha kontrollert at bladet er lukket i sikkerhetsposisjon trykker du på startknappen (1) for å sette igang maskinen. år du ser på skjærebladet fra produktholderplaten må du kontrollere at det dreier mot klokkeretningen, mot den nedre operatørsiden (Fig. B).

## BRUK AV SKJÆREMASKINEN

---

### MANUELL FUNKSJON

**⚠ ADVARSEL!** Skarpt skjæreblad, fare for kutt! Kontroller at bryteren som regulerer tykkelsen på skiven (3) er i sikkerhetsposisjon (i posisjon 0) (Fig. A).

- Forsikre deg om at maskinen er avslått, i motsatt fall trykk på avknappen (2);
- trekk produktholderplaten (8) helt tilbake mot operatøren, i lasteposisjon;
- løft produktskyveren (10) og sett den i hvileposisjon;
- legg varene som skal skjæres opp på produktholderplaten:
  - **SLH 315-350-370:** fjern den bevegelige platen fra tykkelsesplanet, legg produktet som skal skjæres opp på platen ved kanten av tallerkenen, på operatørsiden;
  - **SLG 315-350-370:** plasser produktet som skal skjæres på fatet, mot produktholderens sidevegg og i enden av fatet, ved operatørens side; bruk skyver og blokker med et visst trykk; på skråstilte versjoner presses produktet

- mot platen takket være egen vekt;
- bruk den tilhørende bryteren (3) til å regulere skivetykkelsen. Start skjærebladet (18) ved å trykke på på-knappen (2). Grip tak i håndtaket på produktskyveren (13) og start den alternative skjærebevegelsen;
- På tyngdekraftsmodeller, når vekten eller størrelsen på produktet ikke tillater en tilfredsstillende skjæring kun ved hjelp av tyngdekraften, tar du håndtaket på produktskyveren til hjelp;
- når skjæringen er over setter du bryteren som regulerer tykkelsen tilbake i sikkerhetsposisjon og trekker matervognen tilbake. Stans bladets bevegelse ved å trykke på stoppknappen (2);
- fjern glidefatet fra skivetykkelsesplaten og ta vekk produktet.

## RENGJØRING

---

Hold alltid maskinen ren. Hvis den er i bruk må den rengjøres minst en gang om dagen, eller hyppigere ved behov. Etter en periode der maskinen ikke har vært i bruk må den rengjøres også før bruk.

**⚠ ADVARSEL! Fare for elektrisk støt! Før du går videre med å rengjøre maskinen må du koble stikkontakten fra strømmettet og sette bryteren som regulerer skivetykkelsen i sikkerhetsposisjon.**

**⚠ ADVARSEL!** Skarpt skjæreblad, fare for kutt! Kontroller at bryteren som regulerer tykkelsen på skiven (3) er i sikkerhetsposisjon (i posisjon 0) (Fig. A).

Rengjøringsprodukter:  
INGEN AV DELENE KAN  
VASKES I OPPVASKMASKIN!  
Bruk utelukkende vann og  
skummende bionedbrytbart  
oppvaskmiddel med PH 7-8.  
Bruk en myk klut og en halv-  
stiv nylonbørste til områdene  
rundt platen og produktsky-  
veren. Ikke rengjør maskinen  
med vannsprut eller damp eller  
liggende metoder.

### Rengjøring av glidefat SLL 315-350-370, SLH 315-350- 370


- SLL 315-350-370: trekk den  
bevegelige platen så langt det  
går. En metallisk lyd varsler  
operatøren om at produkthol-  
derplaten er blokkert. Løft pro-  
duktholderplaten fullstendig  
(Fig. E-1), rengjør den bevege-  
lige platen og gjenta operasjo-  
nene i motsatt rekkefølge for å  
sette den bevegelige platen på  
plass igjen.


- SLH 315-350-370: løsne fes-  
tehåndtaket for produkthol-  
derplaten ved å dreie det mot  
klokkeretningen. Trekk den  
bevegelige platen så langt det  
går. En metallisk lyd varsler  
operatøren om at produkthol-  
derplaten er blokkert. Fjern  
den bevegelige platen fra tyk-  
kelsesplaten og løft produkt-  
skyveren (Fig. F-1), rengjør  
den bevegelige platen og reng-  
jør produktskyveren, løft den  
bevegelige platen og rengjør  
produktholderplaten (Fig. F-2),  
blokker produktholderplaten  
ved å dreie festehåndtaket i  
klokkeretningen.

### Fjerning av produktholder (SLG 315-350-370)

- plasser bryter for tykkelses-  
regulering (3) i sikker posisjon  
(Fig. A, Fig. D-1), dra fatstøtten  
(6) helt tilbake i enden, mot

operatøren (Fig. D-2);  
- vri blokkeringsbryter (7) helt  
til venstre (Fig. D-3) mens  
støtten holdes i enden, helt til  
man hører at skivetykkelses-  
platens sikkerhetsanordning  
griper inn;  
- dra produktholder oppover  
for å trekke den ut fra støtten.

 **VÆR OPPMERKSOM!**  
Forsikre seg om at sky-  
ver er senket på fatet før fatets  
støtte dras ut.


 **VÆR OPPMERKSOM!**  
Oppretthold bryter for  
tykkelsesregulering i sikker  
posisjon "0".

### Fjerning av skyver (SLG 315-350-370)

vri på håndtaket og dra ut sky-  
ver (Fig. G).

### Fjerning av knivdeksel (11)

- slakk på håndtaket til kniv-  
dekslets trekkstang (19) ved å  
vri det mot venstre;  
- trykk på trekkstangens hånd-  
tak og løft opp knivdekslet for  
å fjerne dette.

 **VÆR OPPMERKSOM!**  
Når knivdekslet er fjer-  
net vil en sperre stanse kniv-  
bladets rotasjon.

### Fjerning av skivedeflektor (20)

Løsne festeskruen(e) og fjern  
skivelederen.


For skråstilte versjoner SLG:  
slakk på blokkeringssifften og  
drei skivedeflektoren nedover  
for å dra den av stiften.

### Slipeenhet (12)

Rengjør hoveddelen med en  
fuktig klut, ikke legg den i vann.


Fortsett med rengjøring av:  
- skjærebadet: press en fuktig  
klut mot overflaten på skjæ-


rebladet og flytt den langsomt  
fra midten og utover, som vist i  
figuren, på knivdekselsiden og  
på motsatt side. Tørk på sam-  
me måte med en tørr klut. Slå  
ALDRI på maskinen under ren-  
gjøring;  
- sikkerhetsring: bruk en halv-  
stiv børste i nylon til å rengjøre  
området mellom skjæreblandet  
og beskyttelsesringen. Pass på  
at du ikke plasserer hendene  
for nærme skjæreblandet;  
- maskinens hoveddel: rengjør  
selve maskinen med en myk  
klut eller svamp fuktet med  
vann. Tørk grundig;  
- slipeenheten: 1) rengjør ho-  
veddelen med en fuktig klut og  
slipesteinene med en halvstiv  
nylonbørste; 2) ikke dypp slipe-  
redskapet i vann. Slipestei-  
nen kan lett fjernes fra slipeen-  
heten ved å dra den ut i pilens  
retning (Fig. I). Man anbefaler  
at slipesteinen holdes ren for  
å oppnå en riktig sliping. Fjern  
urenheter og fett med sprit og  
en halvstiv nylonbørste.

 **ADVARSEL!** Rengjør alle  
de demonterte delene i  
lunkent vann og MILDT opp-  
vaskmidler, bruk en børste el-  
ler klut. Skyll i varmt vann og  
tørk.

Fortsett med monteringen,  
følg de angitte indikasjonene i  
motsatt rekkefølge

### FJERNING AV SKJÆREBLADET

 **VÆR OPPMERKSOM!**  
Bruk kun originale reser-  
vedeler!

 **VÆR OPPMERKSOM!**  
Fare for kutt! Bruk kun  
etter å ha lest nøye gjennom  
bruksanvisningen som leveres  
sammen med apparatet.

Hvis man har kjøpt et apparat med uttrekkbar kniv, råder man til å følge tilhørende bruksanvisning etter punkt og prikke når kniven skal fjernes.

## VEDLIKEHOLD

---

### Sliping

Hvor lenge og hvor hyppig du bør slipe skjærebladet avhenger av bruken av apparatet.

Før du sliper:

1. kontroller at maskinen er slått av;
2. kontroller at slipeskivene og skjærebladene er rene;
3. plasser bryteren som regulerer skivetykkelsen i sikkerhetsposisjon;
4. trekk produktholderplaten helt tilbake.

Følg disse instruksjonene for å gå videre med sliping:

- Løft beskyttelsesdekelet på slipeinnretningen. Trekk i håndtaket som blokkerer innretningen (Fig. M-1) og det dreier den i retning av skjærebladet (Fig. M-2). Slipeinnretningen blokkeres i korrekt posisjon. Trykk på startknappen for å starte maskinen. Drei spaken forsiktig, og plasser de to slipeskivene i kontakt med skjærebladet i 10-15 sekunder (Fig. M-3). Sliping og smøring skjer samtidig. Trykk på stoppknappen og trekk i håndtaket på innretningen for å sette den tilbake i utgangsposisjonen. Senk beskyttelsesdekelet på slipeinnretningen.

 **VÆR OPPMERKSOM!**

Slipesteinen kan lett fjernes fra slipeenheten ved å dra den ut i pilens retning (Fig. I). Man anbefaler at slipesteinen holdes ren for å oppnå en riktig sliping. Fjern urenheter og fett

med sprit og en halvstiv nylonbørste.

### Smøring

Etter en viss bruksperiode vil det kunne bli nødvendige å smøre sporene på vognen. Vi anbefaler at du gjør dette en gang i måneden. Bruk kun ikke syreholdig olje (vi anbefaler vaselinolje). Ikke bruk vegetabilsk olje.


Gjør som følger for å smøre maskinen: 1) flytt matervognen så nærme operatøren som mulig 2) putt smøreinnetningen inn i åpningen og hell inn en liten mengde olje 3) fjern smøreinnetningen og beveg matervognen 2-4 ganger.

## ASSISTANSE

---

**ASSISTANSE** All utskifting og reparasjon (slik som utskifting eller reparasjon av skjærebladet, reimen, elektriske deler, strukturelle deler, etc.), må kun gjennomføres av personale som er autorisert av produsenten. Hvis det skulle bli nødvendig med en reparasjon må du levere maskinen tilbake til produsenten eller til et autorisert serviceverksted.

For informasjonen om serviceverksteder, ta kontakt med: [service@berkelinternational.com](mailto:service@berkelinternational.com).

 **ADVARSEL! Det er påbudt å skifte ut skjærebladet når avstanden mellom kanten på selve bladet og den innvendige kanten på beskyttelsen overstiger 6 mm.**

## GARANTI OG ANSVAR

---

Produsenten leverer maskinene med en garanti på 24 måneder, som løper fra kjøpsdato. Garantien dekker utelukkende defekter som har oppstått un-

der korrekt bruk i henhold til instruksjonene og betingelsene gitt i denne bruksanvisningen. Garantien dekker ikke defekter som skyldes transport, inkompetanse eller skjødesløshet fra brukerens side, upassende eller feilaktig installasjon eller plassering, skader som skyldes slitasje eller spenning over 10 % over merkespenningen. Garantien dekker dessuten ikke komponenter som er gjenstand for slitasje, slik som skjærebladet og.

Produsenten fraskriver seg alt direkte eller indirekte ansvar for situasjoner som oppstår som følge av:

- manglende overholdelse av instruksjonene gitt i denne bruksanvisningen;
- bruk som ikke er i samsvar med gjeldende regler og standarder i installasjonslandet;
- uautoriserte endringer og/eller reparasjoner utført på maskinen;
- bruk av ikke originalt tilbehør eller reservedeler;
- eksepjonelle hendelser.

Overføring av maskinen til andre fører til umiddelbart bortfall av alt produsentansvar, med unntak av overholdelse av direktivet 2006/42/EF (ansvar for alle eventuelle produksjonsfeil ved produktet).

Merkeplaten som er plassert nederst på maskinen identifiserer produsenten, maskinen, teknisk informasjon og CE-merkingen.

## DEMOLERING OG KASSERING

---

Maskinen består av:

- aluminiumslegering;
- forskjellige innlegg og komponenter i rustfritt stål;
- elektriske deler og elektriske

- kabler;  
 - elektrisk motor;  
 - plast, etc.

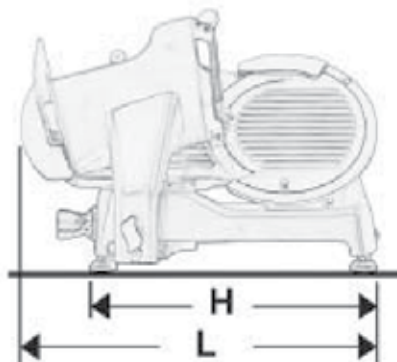
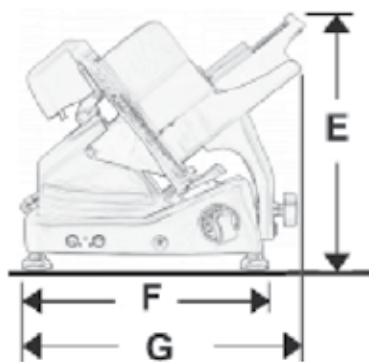
Hvis kassering er overlatt til tredjeparter må du kun henvende deg til selskaper som er autorisert til å fjernematerialer som er angitt over. Enheten er i samsvar med EU-direktivene 2012/19/UE. Den inneholder materialer som kan gjenvinnes eller resirkuleres. En korrekt kildesortering gjør resirkulering lettere. Etter endt levetid må maskinen leveres inn til en innsamlingsstasjon. Du kan få informasjon om kassering hos lokale myndigheter.

## Problemløsning

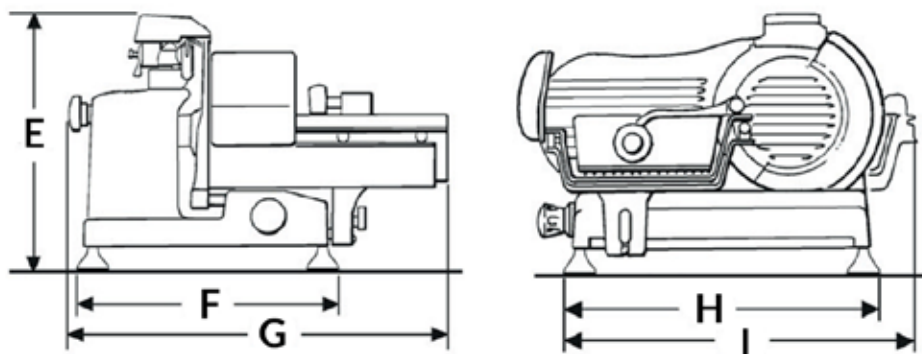
PROBLEM	MULIG ÅRSAK	LØSNING
Maskinen starter ikke når du trykker på startknappen	Manglende strømforsyning eller defekt kontrollkrets	Kontroller at støpselet sitter korrekt i, og ta kontakt med servicesenteret hvis problemet vedvarer
Når du trykker på startknappen starter maskinen, men lysindikatoren som viser funksjonen tennes ikke	Defekt indikator	Ikke bruk maskinen med lysindikatoren slukket. Ring service-senteret
Overdreven motstand ved skjæring av produktet	Bladet er ikke slipt	Slip skjærebladet
Under belastning reduserer skjærebladet farten eller det stanser	Reimen kan være slakk eller skadet	Ta kontakt med serviceverkstedet for å regulere eller skifte ut reimen
Når du trykker på stoppknappen stanser ikke maskinen	Defekt kommandokrets	Stans maskinen umiddelbart ved å trekke ut støpselet fra stikkkontakten og kontakt umiddelbart serviceverkstedet
Overdreven motstand i komponentenes bevegelser bevegelige delene (produkskyver, matervogn)	Smøring av sporene ikke utført regelmessig	Foreta smøring regelmessig



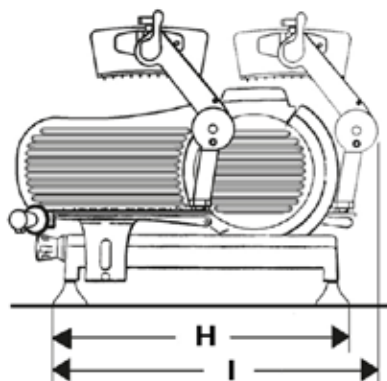
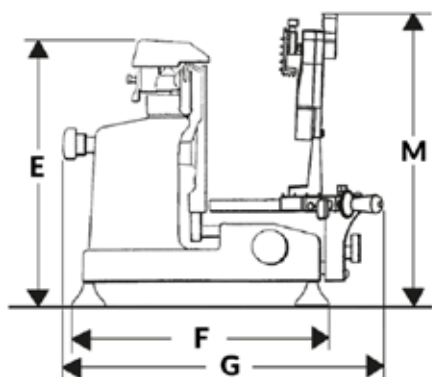
SLG 315 - 350 -370



MODELL	SLG315	SLG350	SLG370
E	500 mm	540 mm	540 mm
F	420 mm	490 mm	490 mm
G	740 mm	800 mm	800 mm
H	525 mm	615 mm	615 mm
L	750 mm	800 mm	890 mm
SPESIFIKASJONER			
Ø Diameter skjæreblad	315 mm	350 mm	370 mm
Maksimal skivetykkelse	0 -14	0 -14	0 -14
Nettovikt	32 kg	44 kg	49 kg
Rektangulær skjærekapasitet	255x160h	300x195h	300x210h
Sirkelformet skjærekapasitet	205 mm	250 mm	265 mm
Motoreffekt	0,25   0,30 kW	0,30   0,35 kW	0,30   0,35 kW
Elektriske spesifikasjoner	230/50/1 - 400/50/3 V - Hz		



MODELL	SLH315	SLH350	SLH370
E	515 mm	550 mm	560 mm
F	450 mm	460 mm	530 mm
G	650 mm	710 mm	800 mm
H	560 mm	570 mm	640 mm
I	670 mm	670 mm	750 mm
SPESIFIKASJONER			
Ø Diameter skjæreblad	315 mm	350 mm	370 mm
Maksimal skivetykkelse	0-24	0-24	0-24
Nettovikt	38 kg	45 kg	56 kg
Rektangulær skjærekapasitet	270x225h	320x270h	370x260h
Sirkelformet skjærekapasitet	225 mm	270 mm	260 mm
Motoreffekt	0,30   0,35 kW	0,30   0,35 kW	0,30   0,35 kW
Elektriske spesifikasjoner	120/60/1 - 220/60/1 - 230/50/1 - 400/50/3 V - Hz	120/60/1 - 220/60/1 - 400/50/3 V - Hz	120/60/1 - 230/50/1 - 400/50/3 V - Hz

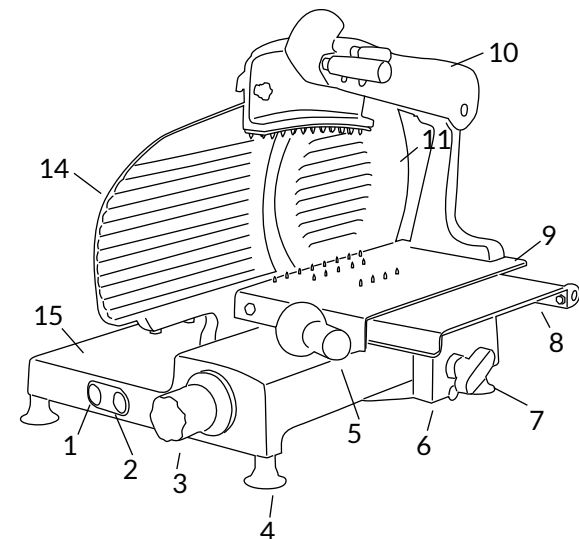


MODELL	SLL315	SLL350	SLL370
E	510 mm	550 mm	560 mm
F	450 mm	450 mm	530 mm
G	640 mm	670 mm	720 mm
H	560 mm	590 mm	640 mm
I	650 mm	710 mm	800 mm
M	670 mm	680 mm	670 mm
SPESIFIKASJONER			
Ø Diameter skjæreblad	315 mm	350 mm	370 mm
Maksimal skivetykkelse	0-14	0-14	0-14
Nettovikt	40 kg	45 kg	56 kg
Rektangulær skjærekapasitet	290x225h	320x270h	350x280h
Sirkelformet skjærekapasitet	225 mm	270 mm	280 mm
Motoreffekt	0,30   0,35 kW	0,30   0,35 kW	0,30   0,35 kW
Elektriske spesifikasjoner	120/60/1 V - Hz   220/60/1 V - Hz 230/50/1 V - Hz   400/50/3 V - Hz		

Merk: Som et resultat av kontinuerlig forskning for å kontinuerlig forbedre våre produkter, tekniske spesifikasjoner er gjenstand for mulige variasjoner.

## SLL 315 - 350 - 370

## PARTES DA MÁQUINA



1. Botão de arranque
2. Botão de parada
3. Manípulo de ajuste da espessura da fatia
4. Pé de suporte
5. Alça de movimentação da mesa
6. Suporte da mesa
7. Manípulo de bloqueio da mesa
8. Mesa móvel
9. Mesa superior móvel
10. Empurrador
11. Coprilama (protector da lâmina)
12. Afiador
14. Mesa fixa
15. Base
17. Lubrificador das guias
18. Lâmina
19. Tirante do protector da lâmina
20. Protector de fatia
21. Anel de segurança

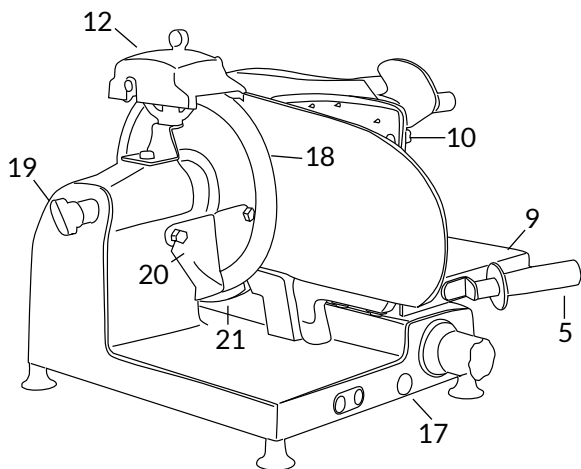


Fig. 2

SLH 315 - 350 - 370

## PARTES DA MÁQUINA

1. Botão de arranque
2. Botão de parada
3. Manípulo de ajuste da espessura da fatia
4. Pé de suporte
6. Suporte da mesa
7. Manípulo de bloqueio da mesa
8. Mesa móvel
9. Mesa superior móvel
10. Empurrador
11. Coprilama (protector da lâmina)
12. Afiador
13. Alça do empurrador
14. Mesa fixa
15. Base
17. Lubrificador das guias
18. Lâmina
19. Tirante do protector da lâmina
20. Protector de fatia
21. Anel de segurança
24. Protecção de segurança da mesa

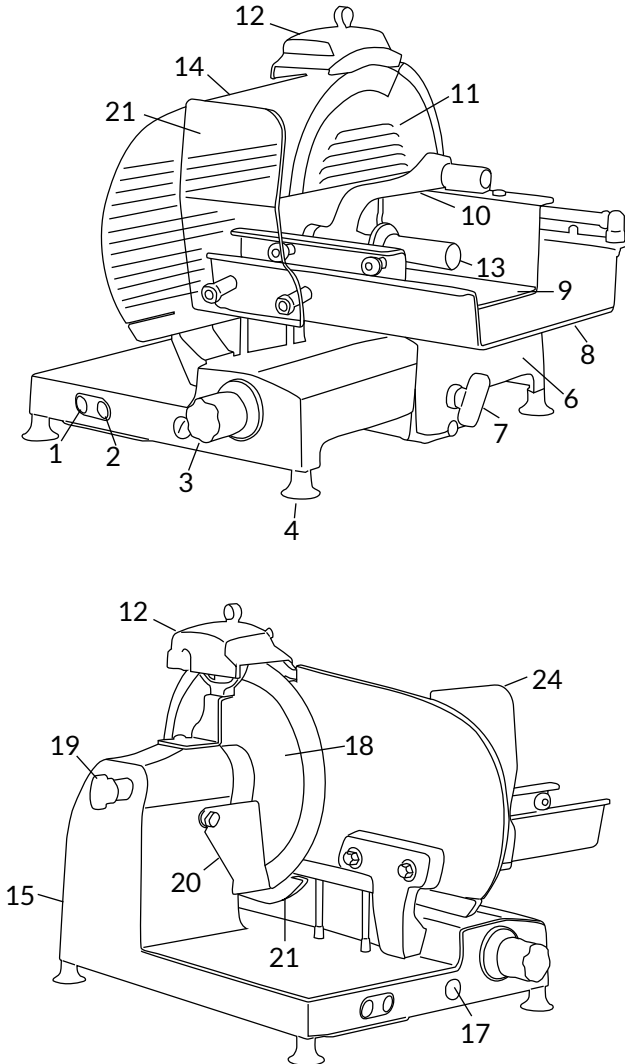
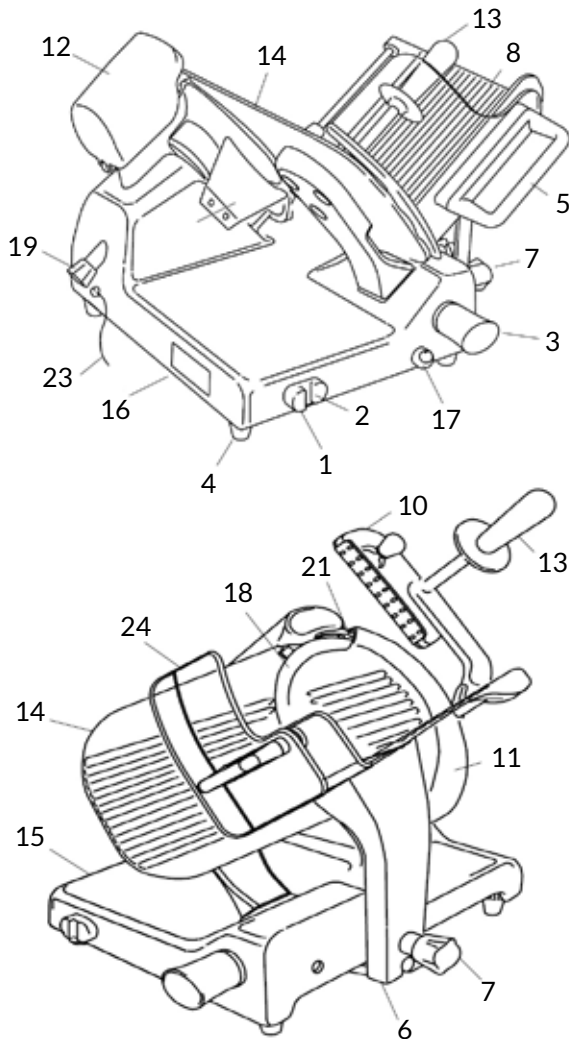


Fig. 2



**SLG 315 - 350 - 370**

**PARTES DA MÁQUINA**

1. Botão de arranque
2. Botão de parada
3. Manípulo de ajuste da espessura da fatia
4. Pé de suporte
5. Alça de movimentação da mesa
6. Suporte da mesa
7. Manípulo de bloqueio da mesa
8. Mesa móvel
10. Empurrador
11. Coprilama (protector da lâmina)
12. Afiador
13. Alça do empurrador
14. Mesa fixa
15. Base
16. Placa de identificação, especificações técnicas, marcação CE
17. Lubrificador das guias
18. Lâmina
19. Tirante do protector da lâmina
20. Protector de fatia
21. Anel de segurança
22. Bloco vertical
23. cabo de alimentação
24. Protecção de segurança da mesa

Fig. 2

## DESCRIÇÃO

---

Máquinas de cortar fiambre profissionais com lâmina circular, projectadas para cortar e fatiar exclusivamente produtos alimentares do tipo e dentro dos limites especificados neste manual. As principais partes componentes da máquina estão ilustradas na figura 2. O esquema eléctrico é mostrado na figura 1.

## DECLARAÇÃO DE CONFORMIDADE

---

As máquinas descritas neste manual estão em conformidade com as Directivas 2006/42/CE, 2006/95/CE, 2004/108/CE, 2003/108/CE, 2011/65/CE, com o Regulamento (CE) 1935/2004 do Parlamento Europeu e com as normas de referência (EN 1974:1998 +A1, EN 60204-1, EN 60335-1, EN 60335-2-64, etc).



## SEGURANÇA

---

Preste a devida atenção às instruções aqui apresentadas para garantir a sua própria segurança:

- leia atentamente todas as instruções antes de utilizar a máquina;
- o produto não deve ser utilizado por crianças;
- o uso da máquina exige uma instrução adequada e que as faculdades psicofísicas do operador estejam em perfeitas condições;
- não utilize a máquina de formas diferentes das constantes neste manual de instruções;
- instale a máquina respeitando as instruções incluídas no

parágrafo 'Instalação';

- a máquina só deverá ser utilizada enquanto estiver em perfeito estado estrutural, mecânico e dotada de instalações perfeitamente funcionais;
- instale a máquina num local fora do alcance das pessoas não envolvidas no trabalho e especialmente das crianças;
- mantenha-se concentrado nas suas tarefas durante o trabalho, não se distraia;
- a máquina não pode ser utilizada por pessoas que não tenham lido e compreendido o teor deste manual;
- não utilize vestuário largo ou com mangas largas e abertas;
- não permita que ninguém se aproxime durante as operações de corte do produto;
- não remova, cubra ou adultere as placas aplicadas ao corpo da máquina e substitua prontamente as placas ilegíveis;
- não remova as protecções transparentes e não modifique ou exclua as protecções mecânicas e eléctricas;
- corte exclusivamente os produtos permitidos e jamais tente cortar produtos de tipo proibido;
- mantenha a zona de apoio do produto cortado, toda a zona de trabalho ao redor da máquina e o pavimento sempre limpos e secos;
- não utilize a máquina como superfície de apoio, particularmente durante as operações de corte;
- não utilize a máquina de cortar fiambre se, devido ao desgaste, a distância entre o gume da lâmina e o anel de protecção for superior a 6 mm. Neste caso, entre em contacto com o fabricante ou com um centro de assistência autorizado para a substituição da lâmina;

- não utilize a máquina com ligações eléctricas 'improvisadas', realizadas por meio de cabos provisórios ou não adequadamente isolados;
  - verifique periodicamente o estado do cabo de alimentação e do prensa-cabos junto ao corpo da máquina; substitua prontamente os componentes desgastados. Solicite a intervenção de um técnico qualificado sempre que houver a necessidade;
  - interrompa imediatamente o funcionamento da máquina na ocorrência de defeitos ou anomalias funcionais, suspeita de ruptura, movimentos não correctos, ruídos incomuns;
  - desconecte a máquina da rede de alimentação eléctrica antes de efectuar a limpeza ou intervenções de manutenção;
  - utilize luvas de protecção durante as operações de limpeza e manutenção;
  - apoie o produto sobre a mesa móvel (ou remova o produto a partir da mesma) somente se o carro estiver completamente recuado e o manípulo de ajuste da espessura estiver na posição de segurança;
  - para movimentar a mesa de suporte do produto durante a operação de corte utilize exclusivamente o manípulo de manobra situado no braço ou alça do empurrador;
  - não é permitido o uso de acessórios de corte que não tenham sido fornecidos pelo fabricante em conjunto com a máquina.
- O fabricante declina qualquer responsabilidade, directa e indirecta, que possa decorrer do uso inapropriado, alterações e/ou reparos efectuados sem autorização prévia, uso de acessórios e peças sobressalentes

não originais.

A máquina não pode ser utilizada em locais abertos e/ou expostos aos agentes atmosféricos, em ambientes com presença de vapores, fumos ou pó corrosivo e/ou abrasivo, com riscos de incêndio ou explosão e, em geral, caso seja prescrito o uso de componentes à prova de explosão.

Condições ambientais de uso:

- Temperatura de -5°C a +40°C
- Humidade máx 95%

**NÃO CORTE:**

- produtos alimentares congelados;
- produtos alimentares ultra-congelados;
- produtos alimentares com ossos (carne e pescado);
- qualquer outro produto não destinado a uso alimentar.

## RISCOS RESIDUAIS

---

O anel de segurança ao redor da lâmina é realizado em conformidade com a norma europeia EN 1974:1998 +A1; no entanto, a protecção na área de afiação não elimina totalmente o risco de corte.

**⚠ CUIDADO! Risco de corte! Durante as operações de limpeza da lâmina e afiação, preste a máxima atenção e mantenha as mãos o mais afastado possível da zona não protegida. Recomenda-se vivamente o uso de luvas de protecção.**

## INSTALAÇÃO

---

Instale a máquina a uma altura máxima de 90 cm, sobre uma superfície bem nivelada, lisa, seca e adequadamente dimensionada para suportar o peso da

máquina e do produto a cortar.

**⚠ ADVERTÊNCIA:** Verifique que a presença de eventuais obstáculos ao movimento da mesa e certifique-se de que a operação de carregamento do produto na própria mesa possa ser feita sem impedimentos.

A máquina deve ser instalada nas imediatas proximidades de uma tomada eléctrica CEE, derivada de uma instalação em conformidade com as normas vigentes e dotada de:

- protecção magnetotérmica;
- interruptor automático diferencial;
- instalação de ligação à terra.

Antes de estabelecer a conexão certifique-se de que as características da rede de alimentação eléctrica correspondam às indicadas na placa de identificação da máquina.

**⚠ CUIDADO!** Verifique a orientação da lâmina (para máquinas dotadas de motor trifásico). Após ter verificado o correcto fechamento da lâmina (posição de segurança), pressione o botão de arranque (1) a fim de ligar a máquina: certifique-se, olhando no lado da mesa móvel para a lâmina, de que esta última gire no sentido anti-horário, para baixo no lado do operador (Fig. B).

## USO DA MÁQUINA DE CORTAR FIAMBRE

---

### FUNCIONAMENTO MANUAL

**⚠ CUIDADO!** Lâmina afiada, perigo de corte! Certifique-se de que o manípulo de ajuste da espessura da fatia (3) esteja na posição de segurança

(posição 0) (Fig. A).

- Certifique-se de que a máquina esteja desligada; caso contrário, actue no botão de parada (2);

- recue completamente a mesa móvel (8) para si até alcançar a correcta posição de carregamento;

- levante o empurrador (10) e coloque-o na posição de repouso;

- apoie o produto a cortar sobre a mesa móvel:

- **SLL 315-350-370, SLH 315-350-370:** afaste a mesa superior móvel da mesa fixa; apoie o produto a cortar sobre a mesa superior, junto à borda da mesma (lado do operador);

- **SLG 315-350-370:** apoie o produto a cortar sobre a mesa superior contra a parede da mesa móvel, junto à borda da mesma (lado do operador); bloqueie o produto por meio do empurrador exercendo uma ligeira pressão; nos modelos por gravidade, o produto é levado ao contacto com a mesa fixa por efeito do seu próprio peso.

- ajuste a espessura da fatia utilizando o respectivo manípulo (3). Accione a lâmina (18) pressionando o botão de arranque (1). Segure o manípulo do empurrador (13) e inicie o movimento alternado de corte;

- Nos modelos por gravidade, quando o peso do produto ou as suas dimensões totais não permitirem um corte (determinado por este efeito físico) satisfatório, utilize a alça do empurrador como auxílio;

- ao término das operações de corte recoloque o manípulo de ajuste da espessura na posição de segurança e recue o carro. Interrompa o movimento da





lâmina actuando no botão de parada (2);

- afaste esta última da mesa fixa e remova o produto.

## LIMPEZA

Mantenha a máquina sempre limpa. Se utilizada, deve ser limpa pelo menos uma vez por dia ou mais frequentemente se necessário. Recomenda-se, após um período de inactividade, limpar a máquina antes de reutilizá-la.

  **CUIDADO! Perigo de choque eléctrico! Antes de proceder com a operação de limpeza da máquina desconecte a ficha da rede de alimentação eléctrica e coloque o manípulo de ajuste da espessura na posição de segurança.**

  **CUIDADO! Lâmina afiada, perigo de corte! Certifique-se de que o manípulo de ajuste da espessura da fatia (3) esteja na posição de segurança (posição 0) (Fig. A).**

Produtos para a limpeza:  
NÃO LAVAR NENHUM COMPONENTE NA MÁQUINA LAVA-LOUÇAS! Utilize exclusivamente água e detergente espumoso biodegradável para utensílios de mesa com um pH de 7-8, um pano macio e esponjoso e uma escova de nylon semi-rígida para as zonas da mesa e do empurrador afiadas e/ou pontiagudas. Não limpe a máquina com jactos de água ou vapor ou com métodos similares.

**Limpeza da mesa superior móvel SLL 315-350-370, SLH 315-350-370**

- SLL 315-350-370: recue com-


pletamente a mesa superior para si, um engate metálico avisa o operador sobre o travamento da mesa móvel. Levante completamente a mesa móvel (Fig. E-1); limpe a mesa superior móvel e efectue as operações no sentido inverso para reposicioná-la.

- SLG 315-350-370: desaperte, girando-o no sentido anti-horário, o manípulo de bloqueio da mesa móvel; recue completamente a mesa superior para si, um engate metálico avisa o operador sobre o travamento da mesa móvel. Afaste a mesa superior móvel da mesa fixa e levante o empurrador (Fig. F-1); limpe profundamente a mesa superior móvel e abaixe o empurrador; levante a mesa superior e limpe profundamente a mesa móvel (Fig. F-2); desbloqueie a mesa móvel girando o seu manípulo de fixação no sentido horário.


**Remoção da mesa móvel (SLG 315-350-370)**

- com o manípulo de ajuste da espessura da fatia (3) na posição de segurança (Fig. A, Fig. D-1), recue completamente o suporte da mesa (6) para si, até atingir o fim-de-curso (Fig. D-2);

- gire completamente o manípulo de bloqueio (7) no sentido anti-horário (Fig. D-3) mantendo o suporte fixado na posição anterior, até que haja a intervenção do dispositivo de segurança e bloqueio da mesa fixa;  
- extraia a mesa móvel a partir do suporte puxando-a para cima.

  **CUIDADO! Certifique-se de que o empurrador esteja devidamente abaixado**

e posicionado sobre a mesa antes de remover o suporte.

  **CUIDADO! Mantenha o manípulo de ajuste da espessura da fatia na posição de segurança “0”.**


**Remoção do empurrador (SLG 315-350-370)**

gire a alça e extraia o empurrador (Fig. G).

**Remoção do disco de protecção da lâmina (11)**

- girando-o no sentido anti-horário, desaperte o manípulo do tirante do protector da lâmina (19);

- pressione o manípulo do tirante e levante o disco de protecção da lâmina a fim de removê-lo.

  **CUIDADO! Após a remoção do disco de protecção da lâmina, um dispositivo de intertravamento interrompe a rotação da lâmina.**

**Remoção do protector de fatia (20)**

Desaperte o(s) parafuso(s) de fixação e remova o protector de fatia.

Para os modelos por gravidade SLG: desaperte o pino de bloqueio e gire o protector para baixo para extraí-lo.

**Afiador (12)**

Limpe o corpo do afiador com um pano humedecido, não o imerja na água.

Proceder com a operação de limpeza da:

- lâmina: pressione um pano humedecido contra a superfície da lâmina e mova-o lentamente a partir do centro para fora, conforme mostrado na

figura, no lado do protector da lâmina e também no lado oposto. Seque executando a mesma operação e utilizando um pano seco. NÃO ligue a máquina durante as fases de limpeza;

- anel de segurança: utilize uma escova de nylon semi-rígida para limpar a zona compreendida entre a lâmina e o anel de protecção. Preste atenção e mantenha uma distância de segurança entre as mãos e a lâmina;

- corpo da máquina: limpe o corpo da máquina com um pano humedecido ou uma esponja e água. Seque cuidadosamente;

- o afiador: 1) limpe o corpo com um pano humedecido e as mós com uma escova de nylon semi-rígida; 2) não imerja o afiador na água. A mó de afiação pode ser facilmente extraída a partir do grupo afiador, seguindo a direcção indicada pela seta (Fig. I). A mó deve ser mantida sempre limpa a fim de obter um bom resultado de afiação. Remova as sujidades e gorduras com álcool e uma escova de nylon semi-rígida.

**! CUIDADO!** Limpe individualmente todas as partes desmontadas com água morna e detergente para utensílios de mesa NÃO AGRESSIVO, utilize também uma escova macia ou um pano. Enxágue com água quente e seque cuidadosamente.

Proceda com as operações de montagem seguindo as indicações descritas em ordem contrária.

## REMOÇÃO DA LÂMINA



**CUIDADO!** Utilize so-

mente dispositivos originais!

**! CUIDADO!** Perigo de corte! Leia atentamente as instruções de uso fornecidas com o dispositivo antes de utilizá-lo.

Se você adquiriu um dispositivo de extracção de lâmina, siga atentamente as instruções operacionais fornecidas com o mesmo para realizar a operação.

## MANUTENÇÃO

### Afiação

Frequência e tempo de duração da afiação dependem do tipo de uso do equipamento.

Antes de afiar:

1. certifique-se de que a máquina esteja desligada;
2. assegure-se de que as mós e as lâminas estejam limpas;
3. coloque o manípulo de ajuste da espessura da fatia na posição de segurança;
4. recue completamente a mesa móvel.

Para proceder com a operação de afiação, siga as instruções:

- Levante a cobertura de protecção do dispositivo de afiação. Puxe o manípulo de desbloqueio do dispositivo (Fig. M-1) e gire-o na direcção da lâmina (Fig. M-2). O dispositivo de afiação é bloqueado uma vez atingida a posição correcta. Pressione o botão de arranque a fim de ligar a máquina. Gire delicadamente a alavanca, permitindo o contacto entre as duas mós e a lâmina por cerca de 10-15 segundos (Fig. M-3). Os processos de afiação e rebarba são executados simultaneamente. Pressione o botão de parada e puxe o manípulo do dispositivo para restaurar

a sua posição inicial. Abaixar a cobertura de protecção do dispositivo de afiação.

**! CUIDADO!** A mó de afiação pode ser facilmente extraída a partir do grupo afiador, seguindo a direcção indicada pela seta (Fig. I). A mó deve ser mantida sempre limpa a fim de obter um bom resultado de afiação. Remova as sujidades e gorduras com álcool e uma escova de nylon semi-rígida

### Lubrificação

Após um período de uso regular as guias do carro podem exigir uma operação de lubrificação. É recomendável realizar este trabalho uma vez por mês. Utilize somente óleos não ácidos (nós aconselhamos óleo de vaselina). Não utilize óleo vegetal.

No que respeita à operação de lubrificação da máquina, observe os seguintes procedimentos: 1) recue o carro e aproxime-o ao máximo de si; 2) insira o lubrificador no furo dedicado e pressione para permitir a saída de uma pequena quantidade de óleo; 3) remova o lubrificador e mova o carro alternadamente por 2-4 vezes.


## ASSISTÊNCIA

A embalagem fornecida não inclui peças sobressalentes. Todas as operações de reparo e substituição (tais como de reparo e substituição da lâmina, correia, componentes eléctricos, peças estruturais etc.) devem ser efectuadas somente por técnicos autorizados pelo fabricante.

Se a máquina precisar de reparo, envie-a para o fabricante ou para um centro de assistência

autorizado.

A fim de obter maiores informações em relação aos centros de assistência, escreva para: [service@berkelinternational.com](mailto:service@berkelinternational.com).

 **CUIDADO! A distância entre o gume da lâmina e a borda interior de protecção não deve exceder 6 mm: caso contrário, a lâmina deve ser obrigatoriamente substituída.**

## **GARANTIA E RESPONSABILIDADE**

---

O fabricante garante as suas máquinas por um período de 24 meses contados a partir da data de aquisição. A garantia cobre os defeitos eventualmente detectados somente se a máquina for utilizada em modo adequado e de acordo com as condições previstas neste manual. A garantia não cobre defeitos ocasionados pelas operações de transporte, por imperícia ou negligência do comprador, instalação ou posicionamento inadequado, danos devido ao desgaste natural, tensão superior a 10% em relação ao valor

nominal. Ademais, a garantia não cobre os componentes intrinsicamente sujeitos a desgaste, tais como a lâmina e os mós do afiador, excepto no caso de evidente defeito de fabrico.

O fabricante declina qualquer responsabilidade, directa e indirecta, que possa decorrer de:

- inobservância das instruções presentes no manual;

- uso não conforme com as normas dominantes no país de instalação;

- adulterações e/ou realização de reparos na máquina não autorizados;

- uso de acessórios e peças sobressalentes não originais;
- eventos extraordinários.

A transferência da propriedade da máquina implica a isenção do fabricante de qualquer responsabilidade, excepto no que respeita ao cumprimento da Directiva 2006/42/CE (responsabilidades por qualquer defeito de fabrico do produto).

A placa de identificação na base da máquina inclui o nome do fabricante, do modelo, as informações técnicas e a marcação CE.

## **DEMOLIÇÃO E ELIMINAÇÃO**

A máquina é constituída por:

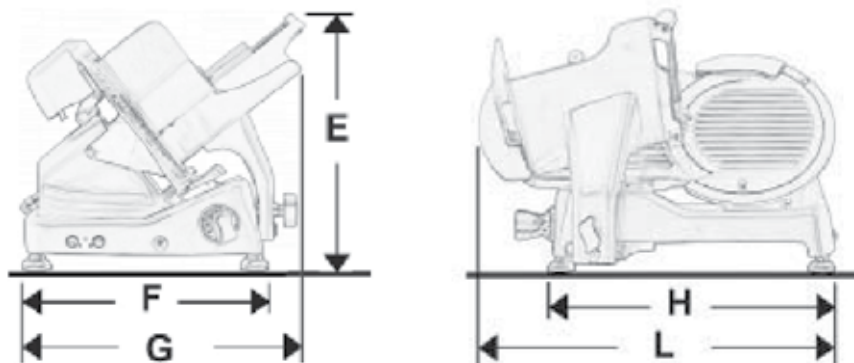
- liga de alumínio;
- peças e componentes diversos em aço inoxidável;
- peças e cabos eléctricos;
- motor eléctrico;
- plástico, etc.

Se a eliminação for confiada a terceiros, dirija-se exclusivamente a empresas devidamente autorizadas a tratar os materiais supracitados. O dispositivo está em conformidade com a Directiva 2012/19/UE. Contém materiais que podem ser recuperados ou reciclados. Uma colecta selectiva feita adequadamente facilita a operação de reciclagem. Ao término da vida útil leve o seu dispositivo para o ponto de colecta mais próximo. É também possível obter informações sobre a eliminação dirigindo-se às autoridades locais.

## Resolução de problemas

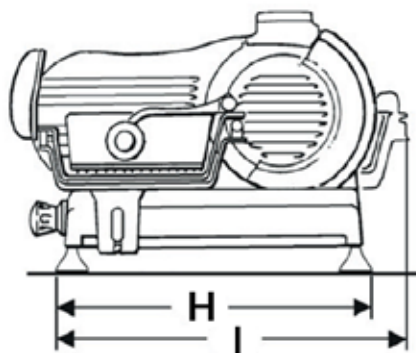
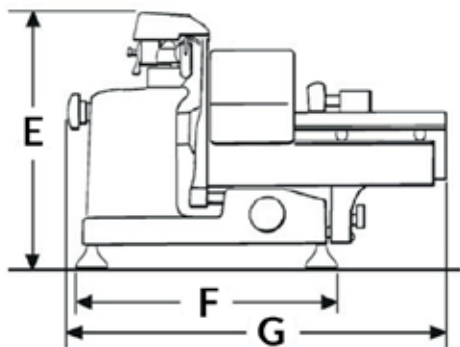
PROBLEMA	CAUSA PROVÁVEL	SOLUÇÃO
A máquina não liga após o accionamento do botão de arranque	Falta de alimentação eléctrica ou circuito de controlo defeituoso	Assegure-se de que o cabo de alimentação esteja conectado correctamente; entre em contacto com o serviço de assistência se o problema persistir
A máquina liga após o accionamento do botão de arranque, mas o indicador luminoso de funcionamento não se acende	Indicador luminoso defeituoso	Não utilize a máquina se o indicador luminoso estiver desligado. Entre em contacto com o serviço de assistência
Resistência excessiva ao movimento de corte do produto	Lâmina não afiada	Afie a lâmina
A lâmina durante o trabalho não possui movimento uniforme (desaceleração sob esforço) ou pára	Correia afrouxada ou danificada	Entre em contacto com o serviço de assistência para solicitar a regulação ou a substituição da correia
O funcionamento da máquina não é interrompido após o accionamento do botão de parada	Circuito de comando defeituoso	Interrompa imediatamente o funcionamento da máquina desconectando o cabo de alimentação da rede e entre prontamente em contacto com o serviço de assistência
Resistência excessiva ao movimento dos componentes móveis (empurrador, carro)	Lubrificação das guias corrediças não realizada periodicamente	Lubrifique periodicamente

SLG 315 - 350 -370

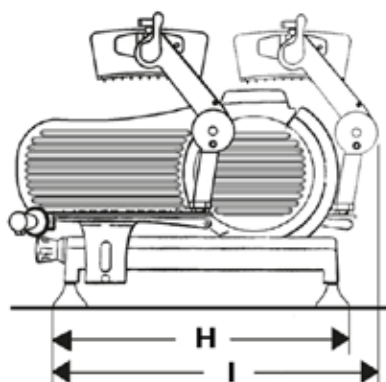
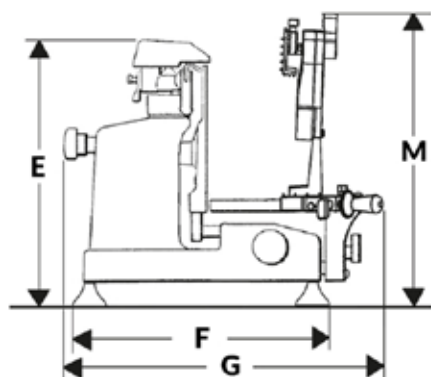


MODELLO	SLG315	SLG350	SLG370
E	500 mm	540 mm	540 mm
F	420 mm	490 mm	490 mm
G	740 mm	800 mm	800 mm
H	525 mm	615 mm	615 mm
L	750 mm	800 mm	890 mm
ESPECIFICAÇÕES			
Ø Diâmetro da lâmina	315 mm	350 mm	370 mm
Espessura máxima da fatia	0 -14	0 -14	0 -14
Peso líquido	32 kg	44 kg	49 kg
Capacidade de corte (rect.)	255x160h	300x195h	300x210h
Capacidade de corte (circ.)	205 mm	250 mm	265 mm
Potência do motor	0,25   0,30 kW	0,30   0,35 kW	0,30   0,35 kW
Especificações eléctricas	230/50/1 - 400/50/3 V - Hz		

SLH 315 - 350 - 370



MODELLO	SLH315	SLH350	SLH370
E	515 mm	550 mm	560 mm
F	450 mm	460 mm	530 mm
G	650 mm	710 mm	800 mm
H	560 mm	570 mm	640 mm
I	670 mm	670 mm	750 mm
ESPECIFICAÇÕES			
Ø Diâmetro da lâmina	315 mm	350 mm	370 mm
Espessura máxima da fatia	0-24	0-24	0-24
Peso líquido	38 kg	45 kg	56 kg
Capacidade de corte (rect.)	270x225h	320x270h	370x260h
Capacidade de corte (circ.)	225 mm	270 mm	260 mm
Potência do motor	0,30   0,35 kW	0,30   0,35 kW	0,30   0,35 kW
Especificações eléctricas	120/60/1 - 220/60/1 - 230/50/1 - 400/50/3 V - Hz	120/60/1 - 220/60/1 - 400/50/3 V - Hz	120/60/1 - 230/50/1 - 400/50/3 V - Hz



MODELLO	SLL315	SLL350	SLL370
E	510 mm	550 mm	560 mm
F	450 mm	450 mm	530 mm
G	640 mm	670 mm	720 mm
H	560 mm	590 mm	640 mm
I	650 mm	710 mm	800 mm
M	670 mm	680 mm	670 mm
ESPECIFICAÇÕES			
Ø Diâmetro da lâmina	315 mm	350 mm	370 mm
Espessura máxima da fatia	0 -14	0 -14	0 -14
Peso líquido	40 kg	45 kg	56 kg
Capacidade de corte (rect.)	290x225h	320x270h	350x280h
Capacidade de corte (circ.)	225 mm	270 mm	280 mm
Potência do motor	0,30   0,35 kW	0,30   0,35 kW	0,30   0,35 kW
Especificações eléctricas	120/60/1 V - Hz   220/60/1 V - Hz 230/50/1 V - Hz   400/50/3 V - Hz		

Nota: Como resultado da pesquisa contínua para melhorar continuamente os nossos produtos, especificações técnicas estão sujeitos a possíveis variações.

**SLL 315 - 350 - 370****PĂRȚI ALE MAȘINII**

1. Buton de pornire
2. Buton de oprire
3. Buton de reglare grosime felie
4. Picior
5. Buton împingere platou
6. Suport platou
7. Buton blocare platou
8. Platou produse
9. Platou glisant
10. Dispozitiv de împingere
11. Protecție lamă (protecție lam)
12. Dispozitivul de ascuțire
14. Placă calibru pentru grosime (pânză)
15. Soclu
17. Ungător lubrifiere ghidaje
18. Lamă
19. Tirant protecție lamă
20. Deviator felii
21. Inel de siguranță

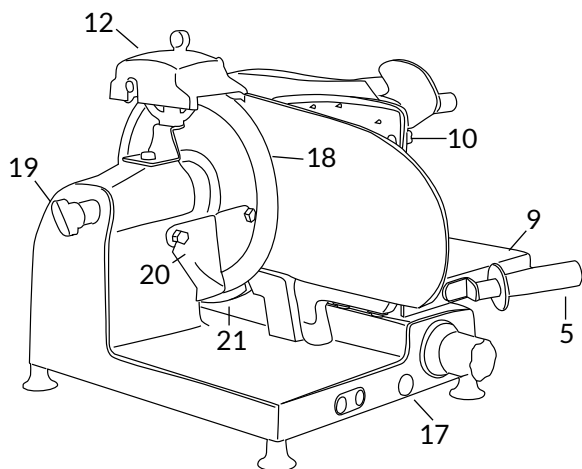
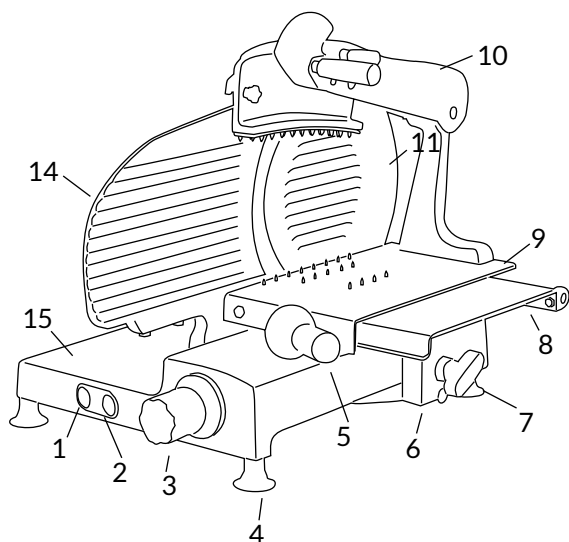


Fig. 2



## SLH 315 - 350 - 370

### PĂRȚI ALE MAȘINII

1. Buton de pornire
2. Buton de oprire
3. Buton de reglare grosime felie
4. Picior
6. Suport platou
7. Buton blocare platou
8. Platou produse
9. Platou glisant
10. Dispozitiv de împingere
11. Protecție lamă (protecție lam)
12. Dispozitivul de ascuțire
13. Buton dispozitiv de împingere
14. Placă calibru pentru grosime (pânză)
15. Soclu
17. Ungător lubrifiere ghidaje
18. Lamă
19. Tirant protecție lamă
20. Deviator felii
21. Inel de siguranță
24. Protecție pentru siguranță platou

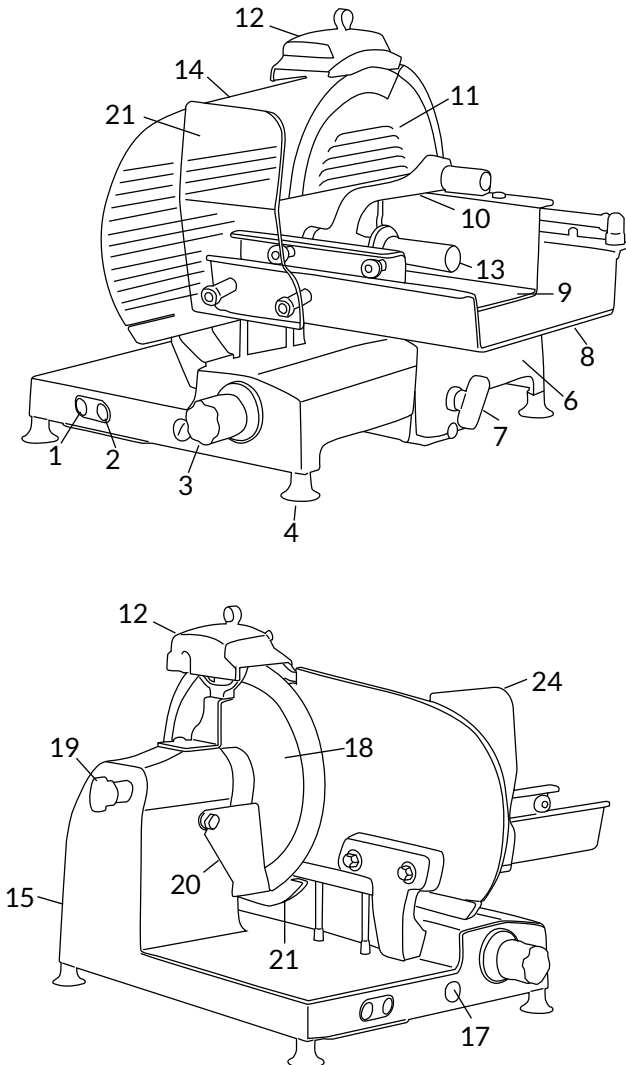


Fig. 2

## SLG 315 - 350 - 370

### PĂRȚI ALE MAȘINII

1. Buton de pornire
2. Buton de oprire
3. Buton de reglare grosime felie
4. Picior
5. Buton împingere platou
6. Suport platou
7. Buton blocare platou
8. Platou produse
10. Dispozitiv de împingere
11. Protecție lamă (protecție lam)
12. Dispozitivul de ascuțire
13. Buton dispozitiv de împingere
14. Placă calibru pentru grosime (pânză)
15. Soclu
16. Plăcuță de identificare, Date tehnice, Marcaj CE
17. Ungător lubrifiere ghidaje
18. Lamă
19. Tirant protecție lamă
20. Deviator felii
21. Inel de siguranță
22. Dop
23. Cablu de alimentare
24. Protecție pentru siguranță platou

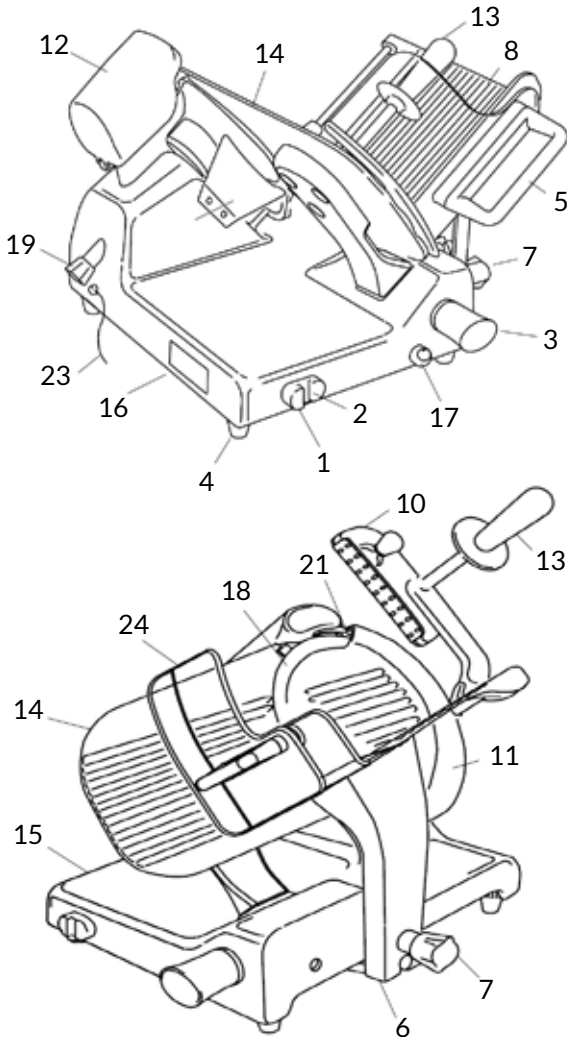


Fig. 2

## DESCRIERE

---

Mașini de feliat profesionale cu lamă circulară, proiectate să fieleze exclusiv produse alimentare de tipul și în limitele de dimensiune indicate în prezentul manual. Piesele principale care alcătuiesc mașina sunt ilustrate la figura 2. Schema electrică este indicată la figura 1.

## DECLARAȚIA DE CONFORMITATE

---

Mașinile prezentate în acest manual sunt conforme cu directivele 2006/42/CE, 2006/95/CE, 2004/108/CE, 2003/108/CE, 2011/65/CE, Regulamentul European (CE) 1935/2004 și standardele aferente EN 1974:1998 +A1, EN60204-1, EN60335-1, EN60335-2-64.



## SIGURANȚA

---

Pentru siguranța dvs., respectați următoarele instrucțiuni:

- Citiți cu atenție toate instrucțiunile înainte de a utiliza mașina;
- Produsul nu este recomandat a fi utilizat de către copii;
- Utilizați mașina doar dacă sunt instruiți adecvat și aveți o stare psiho-fizică perfectă;
- Nu utilizați mașina în alt mod decât cel indicat în prezentul manual;
- Instalați mașina în conformitate cu instrucțiunile din paragraful Instalare;
- utilizați mașina doar în condiții de eficiență perfectă din punct de vedere structural, mecanic și de instalare;
- nu instalați mașina la îndemâna personalului nefamiliarizat cu operațiunile de utilizare și mai ales a minorilor;

- utilizați mașina cu mare atenție, nu vă lăsați distrași în timpul folosirii;
- evitați utilizarea de către personalul care nu a citit și înțeles conținutul prezentului manual;
- nu folosiți îmbrăcăminte largă sau cu mâneci desfăcute;
- nu permiteți nimănui, cu excepția operatorului, să se apropie în timpul operațiunii de tăiere a produsului;
- nu îndepărtați, acoperiți sau modificați plăcuțele de pe corpul mașinii; în caz de deteriorare a acestora, înlocuiți-le;
- nu îndepărtați protecțiile transparente și nu modificați sau excludeți protecțiile mecanice și electrice;
- feliați doar produsele permise, nu încercați să faceți teste de tăiere cu produse de tip interzis;
- păstrați zona de sprijin a produsului feliat, zona de lucru din jurul mașinii și pardoseala de lucru mereu curate și uscate;
- nu utilizați mașina ca suprafață de sprijin și nu sprijiniți niciun obiect străin față de operațiunile normale de tăiere;
- Nu folosiți mașina de feliat când, ca urmare a uzurii normale, distanța dintre tăișul lamei și inelul de protecție a lamei a depășit 6 mm. În acest caz, contactați producătorul sau unul dintre centrele de service autorizate pentru înlocuirea lamei;
- nu utilizați mașina cu conexiuni electrice de tip temporar, cu cabluri provizorii sau neizolate;
- Verificați periodic starea cablului de alimentare și a presetepei de pe corpul mașinii, înlocuindu-le în mod prompt. Când este necesar, adresați-vă personalului calificat pentru a efectua intervenția;
- Oprii imediat mașina în caz de defecțiuni, funcționare anormală, suspiciune de defecțiuni, miș-

- cări incorecte, zgomote ciudate;
  - înainte de a curăța sau de a efectua intervenții de întreținere, deconectați mașina de la rețeaua de alimentare electrică;
  - folosiți mănuși de protecție pentru operațiunile de curățare și întreținere;
  - așezați și îndepărtați alimentul de feliat de pe platoul gisant doar atunci când câruciorul este complet retras și mânerul de reglare a grosimii este poziționat în siguranță;
  - pentru mișcarea platoului pentru produse în timpul operațiunii de tăiere, folosiți doar mânerul de manevră aflat pe brațul sau mânerul dispozitivului de împingere;
  - nu este permisă utilizarea accesoriilor de tăiere care nu au fost furnizate de producător împreună cu mașina.
- Producătorul își declină orice răspundere directă și indirectă ca urmare a utilizării inadecvate, a modificărilor și/sau reparațiilor neautorizate efectuate la mașină, a utilizării accesoriilor și pieselor de schimb neoriginale.
- Mașina nu poate fi utilizată în locuri deschise și/sau expuse la agenții atmosferici și în medii cu vapori, fum sau pulberi corozive și/sau abrazive, cu risc de incendiu sau explozie și unde este prevăzută utilizarea de componente antideflagrante.

Condiții ambientale de utilizare:

- Temperatura între -5° C și +40° C
- Umiditate max 95%

NU FELIAȚI:

- produse alimentare înghețate;
- produse alimentare congelate;
- produse alimentare cu os (carne și pește);
- orice alt produs nedestinat utilizării alimentare.

## RISCURI REZIDUALE

Inelul de siguranță din jurul lamei este realizat în conformitate cu norma europeană EN 1974:1998 +A1, totuși protecția zonei ascuțite nu elimină total riscul de tăiere.

**⚠ ATENȚIE! Risc de tăiere! În timpul operațiunilor de curățare a lamei ascuțite, țineți mâinile cât mai departe de zona neprotejată. Se recomandă folosirea mănușilor de protecție.**

## INSTALARE

Instalați mașina la o înălțime maximă de 90 cm, pe o suprafață bine nivelată, uniformă, uscată și adecvată să susțină greutatea mașinii și a alimentului de feliat.

**⚠ AVERTISMENT:** Verificați să nu existe blocaje la rularea platoului și la încărcarea alimentului de feliat pe platou.

Mașina trebuie instalată în imediata apropiere a unei prize conformă CEE inclusă într-o instalație care respectă standardele în vigoare și este prevăzută cu:

- protecție magneto-termică;
- întrerupător automat diferențial;
- instalație de împământare.

Înainte de efectuarea conexiunii, verificați dacă caracteristicile rețelei de alimentare electrică corespund celor indicate pe plăcuța cu datele mașinii.

**⚠ ATENȚIE!** Pentru mașinile dotate cu motor trifazat, verificați orientarea lamei. După ce ați verificat dacă lama este închisă în poziția de siguranță, apăsați butonul de pornire (1) pentru a porni mașina: privind

lama din partea platoului pentru produse, asigurați-vă că se rotește în sens antiorar, în jos pe partea operatorului (Fig. B).

## UTILIZAREA MAȘINII DE FELIAT

### FUNCȚIONAREA MANUALĂ

**⚠ ATENȚIE!** Lamă ascuțită, pericol de tăiere! Verificați ca mânerul de reglare a grosimii feliei (3) să fie în poziție de siguranță (în poziția 0) (Fig. A).

- Asigurați-vă că mașina este oprită, în caz contrar apăsați butonul de oprire (2);

- retrageți complet platoul pentru produse (8) spre operator, în poziția de încărcare;

- ridicați dispozitivul de împingere (10) și așezați-l în poziția de repaus;

- așezați produsele de feliat pe platoul pentru produse:

- **SLL 315-350-370, SLH 315-350-370:** îndepărtați platoul glisant de pe planul pentru grosime; sprijiniți produsul de feliat platou la adăpost de marginea acestuia, pe latura operator;

- **SLG 315 - 350 -370:** sprijiniți produsul de feliat platou lângă peretele platoului de produse, la adăpost de marginea acestuia, pe latura operator; blocați folosind dispozitivul de împingere și exercitați o anumită presiune; în cazul versiunilor bazate pe gravitație, alimentul va fi presat de platou datorită greutății proprii

- folosind mânerul adecvat (3), reglați grosimea feliei. Acționați lama (18) apăsând butonul de pornire (1). Prindeți mânerul dispozitivului de împingere (13) și începeți mișcarea alternativă de tăiere;

- La modelele bazate pe gravitație, când greutatea produsului sau dimensiunea acestuia

nu permit tăierea satisfăcătoare doar prin efectul gravitației, utilizați mânerul dispozitivului de împingere pentru a vă ajuta;

- La finalizarea operațiunilor de tăiere, readuceți în siguranță pe poziție mânerul de reglare a grosimii și opriți căruciorul. Opriți mișcarea lamei apăsând butonul de oprire (2);

- rotiți mânerul dispozitivului de blocare al platoului glisant de pe placa calibrului pentru grosime și descărcați produsul.

## CURĂȚAREA

Păstrați mașina în stare perfectă de curățenie. Dacă este utilizată, aceasta trebuie curățată cel puțin o dată pe zi, crescând frecvența dacă este necesar. După o perioadă de inactivitate, se recomandă curățarea și înainte de prima utilizare.

**⚠ ATENȚIE! Pericol de electrocutare! Înainte de a curăța mașina, deconectați ștecherul de la rețeaua de alimentare electrică și aduceți în siguranță mânerul de reglare a grosimii.**

**⚠ ATENȚIE!** Lamă ascuțită, pericol de tăiere! Verificați ca mânerul de reglare a grosimii feliei (3) să fie în poziție de siguranță (în poziția 0) (Fig. A).

Produse pentru curățare:  
NU SPĂLAȚI NICIO COMPONENTĂ ÎN MAȘINA DE SPĂLAT VASE!  
Utilizați doar apă și detergent spumos biodegradabil pentru vase cu pH 7-8 folosind o cârpă moale, buretoasă și o perie din nylon semirigidă pentru zonele platoului și ale dispozitivului de împingere ascuțit. Nu curățați mașina cu jeturi de apă sau vapori ori metode similare.


## Curățarea platoului glisant SLL 315-350-370, SLH 315-350-370


- SLL 315-350-370: trageți platoul glisant la sfârșitul cursei, un marcaj metalic avertizează operatorul că platoul pentru produse este blocat. Ridicați complet platoul de produse (fig. E-1); curățați platoul glisant și repetați operațiunile în sens invers pentru re poziționarea platoului glisant.

- SLH 315-350-370: slăbiți rotind în sens antiorar mânerul de fixare al platoului de produse; trageți platoul glisant la sfârșitul cursei, un marcaj metalic avertizează operatorul că platoul de produse este blocat. Îndepărtați platoul glisant de pe placa calibrului și ridicați dispozitivul de împingere (fig. F-1); curățați platoul glisant și coborâți dispozitivul de împingere; ridicați platoul glisant și curățați platoul de produse (Fig. F-2); deblocați platoul pentru produse rotind mânerul de fixare în sens orar.

## Îndepărtare platou produse (SLG 315-350-370)

- cu mânerul de reglare a grosimii feliei (3) în siguranță (Fig. A, Fig. D-1), retrageți suportul platou (6) complet până la capătul cursei, spre operator (Fig. D-2);  
- rotiți complet mânerul de blocare (7) în sens antiorar (fig. D-3) menținând suportul la capătul cursei până la intervenția dispozitivului de siguranță pentru blocarea platoului cu calibrul pentru grosime;  
- glisați în sus platoul de produse scoțându-l din suport.

 **ATENȚIE!** Asigurați-vă că dispozitivul de împingere este coborât sub platou înainte de a extrage suportul platoului.

 **ATENȚIE!** Mențineți mânerul de reglare a grosimii feliilor în poziția de siguranță "0".


## Îndepărtarea dispozitivului de împingere (SLG 315-350-370)

rotiți mânerul și glisați dispozitivul de împingere (fig. G).

## Îndepărtarea discului de protecție a lamei (11)

- rotind în sens antiorar, slăbiți mânerul tirantului de protecție a lamei (19);

- apăsați mânerul tirantului și ridicați discul de protecție a lamei pentru a-l îndepărta.

 **ATENȚIE!** După îndepărtarea discului de protecție a lamei, un dispozitiv de blocare oprește rotirea lamei.

## Îndepărtarea deviatorului felii (20)

Slăbiți șurubul/șuruburile de fixare și îndepărtați deviatorul de felii.

Pentru versiunile pe bază de gravitație SLG: slăbiți axul de blocare și rotiți deviatorul de felii în jos pentru a-l îndepărta de pe ax.

## Dispozitiv de ascuțire (12)

Curățați corpul cu o cârpă umedă, nu introduceți în apă.


Continuați cu curățarea:

- lamei: aplicați o cârpă umedă pe suprafața lamei și deplasați-o lent de la centru spre exterior, ca în figură, pe latura protecției lamei și pe latura opusă. Uscați, în același mod, utilizând o cârpă uscată. NU porniți NICIODATĂ mașina în timpul fazelor de curățare;

- inelul de siguranță: utilizați peria de nylon semirigidă pentru a curăța zona cuprinsă între lamă și inelul de protecție. Nu apropiați prea mult mâinile de lamă;  
- corpul mașinii: curățați corpul

mașinii cu o cârpă umedă sau un burete clătind cu apă. Uscați cu grijă;


- dispozitivul de ascuțire: 1) curățați corpul cu o cârpă umedă și discurile de rectificat cu o perie de nylon semirigidă; 2) nu introduceți dispozitivul de ascuțire în apă. Discul de rectificat pentru ascuțit poate fi îndepărtat ușor de pe grupul de ascuțire extrăgându-l în direcția săgeții (Fig. I). Se recomandă să păstrați discul de rectificat curat pentru o ascuțire adecvată. Îndepărtați mizeria și grăsimea cu alcool și o perie din nylon semirigidă.


 **ATENȚIE!** Curățați toate piesele demontate cu apă caldă și detergent de vase NON AGGRESIV, folosind o perie moale sau o cârpă. Clătiți cu apă caldă și uscați.

Efectuați operațiunea de montare conform indicațiilor în ordine inversă.

## ÎNDEPĂRTAREA LAMEI

---

 **ATENȚIE!** Folosiți doar dispozitive originale!

 **ATENȚIE!** Pericol de tăiere! Folosiți doar după ce ați citit cu atenție instrucțiunile de utilizare furnizate împreună cu dispozitivul.

Dacă a fost achiziționat un dispozitiv de extragere a lamei, pentru îndepărtarea lamei se recomandă respectarea atentă a instrucțiunilor de utilizare furnizate împreună cu dispozitivul.

## ÎNȚREȚINERE

---

### Ascuțirea


Periodicitatea și durata ascuțirii depind de utilizarea echipamentului.

Înainte de a ascuți:

1. asigurați-vă că mașina este oprită;
2. asigurați-vă că discurile de rectificat și lama sunt curățate;
3. umistete rukojeť na regulaci tlopozičionai în siguranță mânerul de reglare a grosimii felilor;
4. retrageți complet platoul pentru produse.

Pentru ascuțire, urmați instrucțiunile:

- Ridicați capacul de protecție al dispozitivului de ascuțire. Trageți mânerul de deblocare a dispozitivului (fig. M-1) și rotiți-l în direcția lamei (fig. M-2). Dispozitivul de ascuțire se va bloca în poziția corectă. Apăsați butonul de pornire pentru a porni mașina. Rotiți moderat pârghia, aducând discurile în contact cu lama timp de 10-15 secunde (fig. M-3). Ascuțirea și debavurarea au loc simultan. Apăsați butonul de oprire și trageți mânerul dispozitivului pentru a-l aduce în poziția inițială. Coborâți capacul de protecție al dispozitivului de ascuțire.

 **ATENȚIE!** Discul de rectificat pentru ascuțit poate fi îndepărtat ușor de pe grupul de ascuțire extrăgându-l în direcția săgeții (Fig. I). Se recomandă să păstrați discul de rectificat curat pentru o ascuțire adecvată. Îndepărtați mizeria și grăsimea cu alcool și o perie din nylon semirigidă.

### Lubrifierea

După o perioadă regulată de utilizare, poate fi necesară lubrifierea ghidajelor căruciorului. Se recomandă să efectuați operațiunea o dată pe lună. Utilizați doar ulei non acid (vă recomandăm ulei de vaselină). Nu folosiți ulei vegetal.


Pentru lubrifierea mașinii, respectați următoarele indicații: 1) deplasați căruciorul cât mai aproape de operator; 2) introduceți ungătorul în orificiul adecvat și apăsați pentru a aplica o cantitate mică de ulei; 3) îndepărtați ungătorul și glisați căruciorul de 2-4 ori.

### ASISTENȚĂ

Nu sunt furnizate piese de schimb în interiorul ambalajului. Toate activitățile de reparații și înlocuire (înlocuirea sau reparația lamei, curelei, componentelor electrice, pieselor structurale, etc.) trebuie desfășurate exclusiv de personal autorizat de producător.

Dacă este necesară reparația, se recomandă să duceți mașina la producător sau un centru de service autorizat.

Pentru informații privind centrele de service, adresați-vă: [service@berkelinternational.com](mailto:service@berkelinternational.com).

 **ATENȚIE! Este obligatorie înlocuirea lamei când distanța dintre tășul acesteia și marginea internă a protecției depășește 6 mm.**

### GARANȚIE ȘI RĂSPUNDERE

Producătorul furnizează mașini cu o garanție de 24 de luni de la data achiziției. Garanția acoperă doar defecțiunile cauzate ca urmare a utilizării adecvate conform condițiilor de folosire prevăzute în manual. Garanția nu acoperă alte defecte datorate transportului, incompetenței sau neglijenței cumpărătorului, instalării sau amplasării inadecvate, daunelor de uzură, tensiunii care depășește 10% din valoarea nominală. În plus, garanția nu acoperă componentele

supuse intrinsec uzurii, precum lama și discurile de rectificat ale dispozitivului de ascuțire, cu excepția unui defect de producție evident.

Producătorul își declină orice răspundere directă sau indirectă derivată din:

- nerespectarea instrucțiunilor din manual;
- utilizarea neconformă cu standardele din țara de instalare;
- modificările și/sau reparațiile neautorizate la mașină;
- utilizarea accesoriilor și a pieselor de schimb neoriginale;
- evenimente excepționale.

Transferul de proprietate a mașinii presupune exonerarea imediată de orice răspundere din partea producătorului, cu excepția prevederilor directivei 2006/42/CE (răspunderea pentru orice defect de producție al produsului). Plăcuța de identificare de la baza mașinii indică producătorul, mașina, informațiile tehnice și marcajul CE.

### DEZMEMBRARE ȘI ELIMINARE

Mașina este alcătuită din:

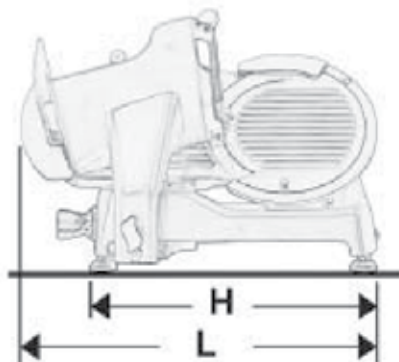
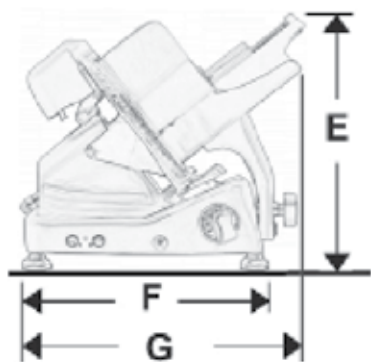
- aliaj de aluminiu;
- inserturi și diferite componente din oțel inoxidabil;
- piese electrice și cabluri electrice;
- motor electric;
- plastic, etc.

Dacă dezmembrarea este realizată de terți, adresați-vă doar companiilor autorizate pentru eliminarea materialelor indicate mai sus. Dispozitivul este conform directivelor 2012/19/UE. Conține materiale care pot fi recuperate sau reciclate. Colectarea diferențiată corectă facilitează reciclarea. La sfârșitul duratei de viață, depozitați dispozitivul la un punct de colectare. Puteți obține informații despre dezmembrare de la autoritățile locale.

## Rezolvarea problemelor

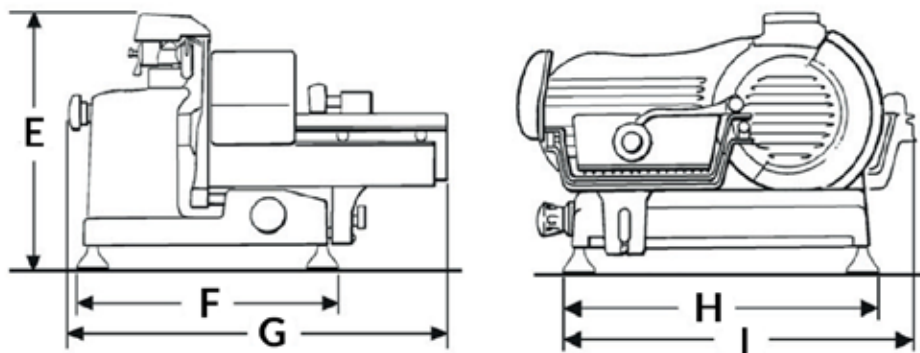
PROBLEMĂ	CAUZĂ POSIBILĂ	SOLUȚIE
Mașina nu pornește la apăsarea butonului de pornire	Lipsa alimentării sau circuit de control defect	Verificați dacă ștecherul este introdus corect, dacă problema persistă contactați centrul de service
Mașina pornește la apăsarea butonului de pornire însă nu se aprinde indicatorul luminos de funcționare	Indicator defect	Nu utilizați mașina cu indicatorul luminos stins. Apelați serviciul de asistență
Rezistență excesivă la tăierea produsului	Lama nu este ascuțită	Ascuțiți lama
Forțarea lamei determină încetinirea sau oprirea acesteia	Cureaua poate fi slăbită sau deteriorată	Contactați centrul de service pentru reglarea sau înlocuirea curelei
Apăsând butonul de oprire mașina nu se oprește	Circuit de comandă defect	Opriti imediat mașina scoțând ștecherul din rețea și adresați-vă imediat centrului de service
Rezistență excesivă la mișcarea componentelor glisante (dispozitiv de împingere, cărucior)	Lubrifierea ghidajelor de alunecare nu a fost efectuată periodic	Efectuați lubrifierea periodică

## SLG 315 - 350 -370

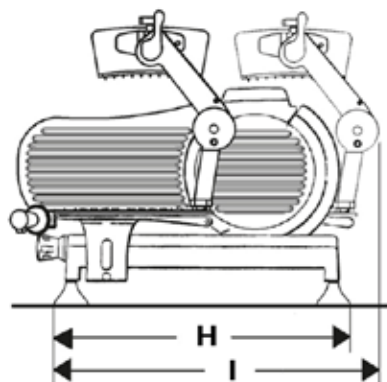
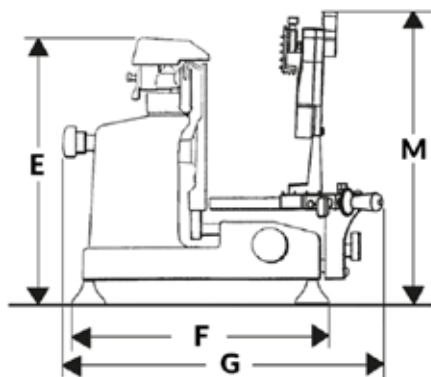


MODEL	SLG315	SLG350	SLG370
E	500 mm	540 mm	540 mm
F	420 mm	490 mm	490 mm
G	740 mm	800 mm	800 mm
H	525 mm	615 mm	615 mm
L	750 mm	800 mm	890 mm
SPECIFICAȚII			
ø Diametru lamă	315 mm	350 mm	370 mm
Grosime maximă felie	0-14	0-14	0-14
Greutatea netă	32 kg	44 kg	49 kg
Capacitate de tăiere (rect.)	255x160h	300x195h	300x210h
Capacitate de tăiere (circ.)	205 mm	250 mm	265 mm
Putere motor	0,25   0,30 kW	0,30   0,35 kW	0,30   0,35 kW
Specificații electrice	230/50/1 - 400/50/3 V - Hz		



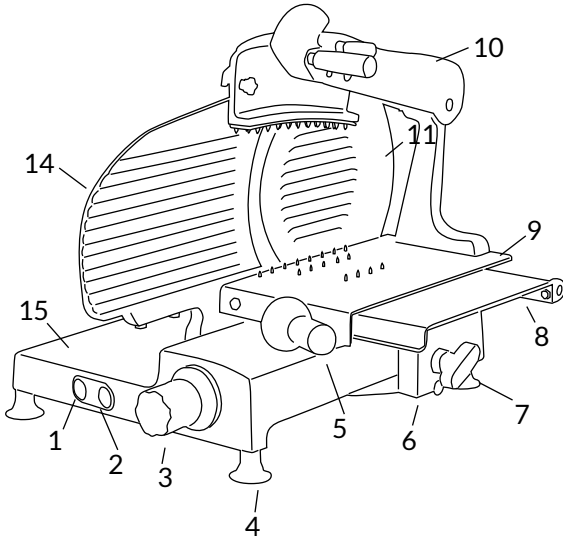


MODEL	SLH315	SLH350	SLH370
E	515 mm	550 mm	560 mm
F	450 mm	460 mm	530 mm
G	650 mm	710 mm	800 mm
H	560 mm	570 mm	640 mm
I	670 mm	670 mm	750 mm
SPECIFICAȚII			
Ø Diametru lamă	315 mm	350 mm	370 mm
Grosime maximă felie	0 -24	0 -24	0 -24
Greutatea netă	38 kg	45 kg	56 kg
Capacitate de tăiere (rect.)	270x225h	320x270h	370x260h
Capacitate de tăiere (circ.)	225 mm	270 mm	260 mm
Putere motor	0,30   0,35 kW	0,30   0,35 kW	0,30   0,35 kW
Specificații electrice	120/60/1 - 220/60/1 - 230/50/1 - 400/50/3 V - Hz	120/60/1 - 220/60/1 - 400/50/3 V - Hz	120/60/1 - 230/50/1 - 400/50/3 V - Hz



MODEL	SLL315	SLL350	SLL370
E	510 mm	550 mm	560 mm
F	450 mm	450 mm	530 mm
G	640 mm	670 mm	720 mm
H	560 mm	590 mm	640 mm
I	650 mm	710 mm	800 mm
M	670 mm	680 mm	670 mm
SPECIFICAȚII			
Ø Diametru lamă	315 mm	350 mm	370 mm
Grosime maximă felie	0-24	0-24	0-24
Greutatea netă	40 kg	45 kg	56 kg
Capacitate de tăiere (rect.)	290x225h	320x270h	350x280h
Capacitate de tăiere (circ.)	225 mm	270 mm	280 mm
Putere motor	0,30   0,35 kW	0,30   0,35 kW	0,30   0,35 kW
Specificații electrice	120/60/1 V - Hz   220/60/1 V - Hz 230/50/1 V - Hz   400/50/3 V - Hz		

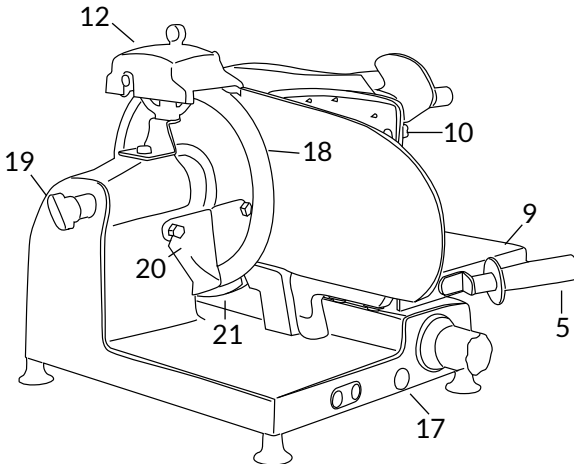
Notă: Ca rezultat al cercetării continue pentru a îmbunătăți continuu produsele noastre, specificațiile tehnice sunt supuse unor posibile variații.



## SLL 315 - 350 - 370

## MASKINDELAR

1. Startknapp
2. Stoppknapp
3. Tjockleksvred
4. Fot
5. Påskjutarens handtag
6. Stöd till plattan
7. Vred för att blockera plattan
8. Produkthållarplatta
9. Övre glidande platta
10. Produktpress
11. Klingskydd (klingskydd)
12. Sliptillsats
14. Skivtjockleksplatta (tjockleksmätare)
15. Sockel
17. Smörjanordning till skenorna
18. Klinga
19. Stag klingskydd
20. Skivskydd
21. Skyddsring



SLH 315 - 350 - 370

## MASKINDELAR

1. Startknapp
2. Stoppknapp
3. Tjockleksvred
4. Fot
6. Stöd till plattan
7. Vred för att blockera plattan
8. Produkt hållarplatta
9. Övre glidande platta
10. Produktpress
11. Klingskydd (klingskydd)
12. Sliptillsats
13. Produktpressens handtag
14. Skivtjockleksplatta (tjockleksmätare)
15. Sockel
17. Smörjanordning till skenorna
18. Klinga
19. Stag klingskydd
20. Skivskydd
21. Skyddsring
24. Skydd för platta

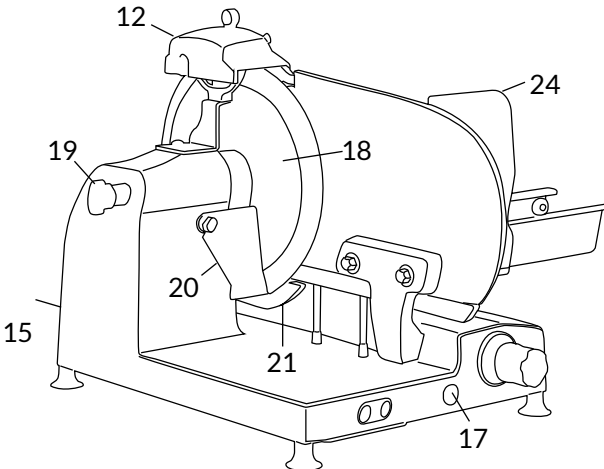
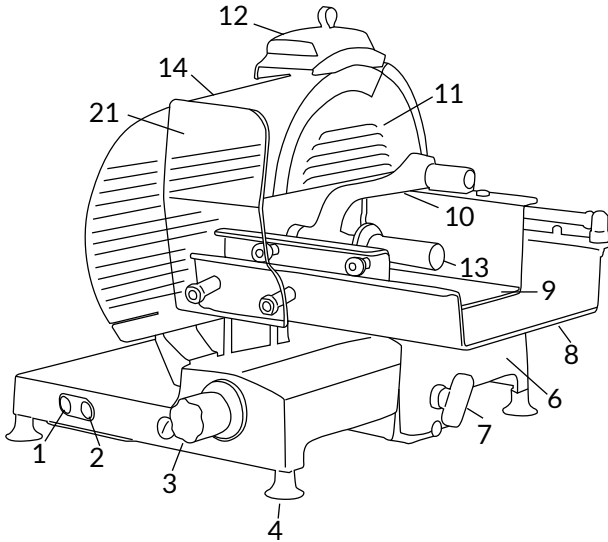
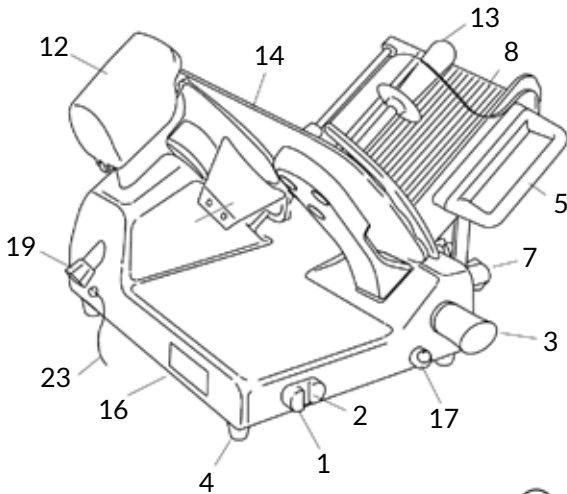


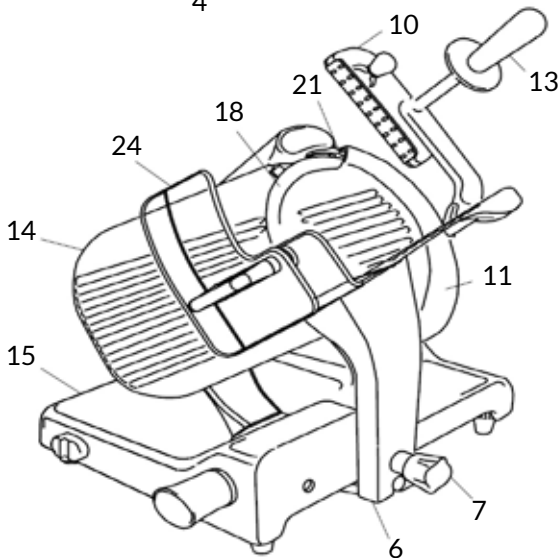
Bild 2

## SLG 315 - 350 - 370

### MASKINDELAR



1. Startknapp
2. Stoppknapp
3. Tjockleksvred
4. Fot
5. Påskjutarens handtag
6. Stöd till plattan
7. Vred för att blockera plattan
8. Produkthållarplatta
10. Produktpress
11. Klingskydd (klingskydd)
12. Sliptillsats
13. Produktpressens handtag
14. Skivtjockleksplatta (tjockleksmätare)
15. Sockel
16. Märkplåt, Tekniska specifikationer, CE-märkning
17. Smörjanordning till skenorna
18. Klinga
19. Stag klingskydd
20. Skivskydd
21. Skyddsring
22. Knivhållare
23. Matningskabel
24. Skydd för platta



## BESKRIVNING

---

Professionella skärmaskiner med cirkelformad klinga. Maskinerna är framställda för att skära enbart sådana livsmedel vars typ och storlek finns angivna i denna bruksanvisning. I bild 2 visas maskinens huvudsakliga beståndsdelar. Kopp-lings schemat finns i bild 1.

## FÖRSÄKRAN OM ÖVERENSSTÄMMELSE

---

Maskinerna som finns beskrivna i denna bruksanvisning överensstämmer med direktiv 2006/42/EG, 2006/95/EG, 2004/108/EG, 2003/108/EG, 2011/65/EU, Europaparlamentets och rådets förordning (EG) nr. 1935/2004 och respektive standarder EN 1974:1998 +A1, EN60204-1, EN60335-1, EN60335-2-64.



## SÄKERHET

---

För er säkerhet ber vi att ni följer nedanstående anvisningar:

- Läs noggrant igenom alla anvisningar innan ni använder maskinen;
- Produkten är inte avsedd att användas av barn;
- Den person som använder maskinen ska ha fått lämplig utbildning och vara i god psykisk och fysisk form;
- Använd inte maskinen på något sätt som skiljer sig från beskrivningen i denna bruksanvisning;
- installera maskinen i enlighet med anvisningarna i avsnittet 'Installation';
- maskinen får enbart användas i miljöer vars struktur, mekanik och anläggning håller

högsta kvalitet;

- installera maskinen på en plats där den är utom räckhåll för personer som inte är bekanta med hur den ska användas, och framför allt på en plats utom räckhåll för minderåriga;
- var alltid koncentrerad när du använder maskinen och undvik att distraheras av annat;
- låt inte personal som inte läst och förstått allt innehåll i denna bruksanvisning använda maskinen;
- bär inte löst sittande kläder eller kläder med öppna ärmar;
- låt inte någon annan än användaren närma sig maskinen medan produkten skärs;
- det är förbjudet att ta bort, täcka eller ändra plåtarna som sitter på maskinstommen. Om plåtarna skadas ska de omedelbart bytas ut;
- avlägsna inte de transparenta skydden, och ändra eller frånkoppla inte de mekaniska och elektriska skydden;
- skär endast tillåtna livsmedel. Försök inte att skära produkter som är förbjudna;
- området där den skivade produkten placeras, arbetsområdet runt maskinen och golvet användaren står på ska alltid vara rena och torra;
- använd inte maskinen som en stödyta och placera inga föremål som inte hör hemma under normala skivningsarbeten på den;
- använd inte skärmaskinen när mellanrummet mellan klingans kant och klingskyddet på grund av normalt slitage överskrider 6 mm. I sådant fall ska man kontakta tillverkaren eller ett behörigt serviceföretag för att byta ut klingan;
- använd inte maskinen med grenuttag, förlängningsslad-dar eller med provisoriska eller

icke isolerade kablar;

- kontrollera regelbundet skicket på strömkabeln och kabeltätningen på maskinstommen. Byt ut vid behov. Om det krävs ska man kontakta kvalificerad personal för detta ingrepp;
- stanna omedelbart maskinen om du upptäcker en defekt eller felfunktion, om du misstänker att maskinen är sönder, om den gör felaktiga manövrer eller ger ifrån sig ovanliga ljud;
- innan man påbörjar rengöring eller underhållsarbete ska man koppla bort maskinen från elnätet;
- använd skyddshandskar under rengöring och underhållsarbete;
- när man placerar eller tar bort produkten som ska skivas på/från glidplattan ska vagnen alltid vara i helt tillbakadraget läge och tjockleksvredet ska vara ställt till säkert läge;
- man får endast använda det manövreringshandtag som finns på pressens arm eller kulhandtag för att förflytta produkt-hållarplattan under drift;
- det är inte tillåtet att använda skärningstillbehör som inte levererats av tillverkaren till-sammans med maskinen. Tillverkaren av-säger sig allt direkt och indirekt ansvar som kan härledas från en felaktig användning, icke godkända justeringar och/eller reparationer på maskinen eller användning av tillbehör eller reservdelar som inte är original. Maskinen får inte användas ut-omhus och/eller på platser där den utsätts för väder och vind. Inte heller får den användas i miljöer med ångor, rök eller frätande och/eller slipande damm, i miljöer med risk för brand eller explosion, och inte

på någon plats där användning av explosionssäkra komponenter föreskrivs.

Miljömässiga förhållanden under drift:

- Temperatur mellan -5° C och +40° C
- Maximal fuktighet 95%

SKIVA INTE:

- frysta livsmedel;
- djupfrysta livsmedel;
- livsmedel med ben (kött och fisk);
- några produkter som inte är livsmedel.

## KVARVARANDE RISKER

Skyddsringen runt klingan är framställd i enlighet med den europeiska föreskriften EN 1974:1998 +A1. Dock kan inte skyddet i slipningsområdet helt eliminera risken att skära sig.

**⚠ OBSERVERA!** Risk att skära sig! Under rengöring eller slipning av klingan ska man vara mycket uppmärksam och hålla händerna på så långt avstånd från det oskyddade området som möjligt. Vi rekommenderar att man bär skyddshandskar.

## INSTALLATION

Installera maskinen vid en höjd om maximalt 90 cm, på en jämn, slät och torr yta som tål att belastas med maskinens vikt plus vikten på de varor som ska skivas.

**⚠ OBSERVERA!** Kontrollera att det inte finns något som hindrar produkthållarplattans slaglängd eller matning av de livsmedel som ska skivas.

Maskinen ska installeras i närheten av ett uttag som överensstämmer med gällande EEC-föreskrift, kopplat till ett system som överensstämmer med gällande föreskrifter och vara försett med:

- termomagnetiskt skydd;
- automatisk differentialbrytare;
- jordningssystem.

Innan anslutning ska man kontrollera att elsystemets specifikationer överensstämmer med informationen på maskinens identifikationsplåt.

**⚠ OBSERVERA!** För maskiner som är utrustade med trefasmotor ska man kontrollera klingans riktning. När man kontrollerat att klingan har stängts i säkert läge ska man trycka på startknappen (1) för att sätta igång maskinen. Kontrollera klingans rörelse från produkthållarplattan och se till att den roterar i medurs riktning, ner mot användaren (Bild B).

## ANVÄNDA SKÄRMASKINEN

### MANUELL FUNKTION

**⚠ OBSERVERA!** Risk att skära sig på vass klinga! Kontrollera att vredet för att ställa in skivans tjocklek (3) är ställt till säkert läge (läge 0) (Bild A).

- Kontrollera att maskinen är avstängd. Tryck i annat fall på stoppknappen (2);
  - dra tillbaka produkthållarplattan (8) helt mot användaren, till läget för matning;
  - höj pressen (10) och ställ den i viloläge;
  - placera livsmedlen som ska skivas på produkthållarplattan:
- SLL 315-350-370, SLH

**315-350-370:** för glidplattan bort från tjockleksmätaren och lägg produkten som ska skivas på plattan i närheten av kanten på användarsidan;


- **SLG 315-350-370:** placera den produkt som ska skivas på plattan, mot produkthållarplattans vägg i närheten av kanten på användarsidan och blockera genom att trycka med pressen. På gravitationsmodellerna kommer livsmedlen att tryckas mot plattan med hjälp av sin egen vikt;
- använd det till syftet avsedda vredet (3) för att ställa in skivans tjocklek. Starta klingan (18) genom att trycka på startknappen (1). Ta tag om pressens handtag (13) och sätt igång den alternerande skärningsrörelsen;
- På gravitationsmodellerna ska man, när produktens vikt eller storlek inte ger en tillfredsställande skärning enbart genom gravitationskraften, ta hjälp av pressens handtag;
- när skivningen avslutats ska man ställa tillbaka tjockleksvredet i säkert läge och dra tillbaka vagnen. Stoppa klingans rörelse genom att trycka på stoppknappen (2);
- för glidplattan bort från tjockleksmätaren och lasta av produkten.

## RENGÖRING

Håll alltid maskinen ren. Om maskinen används måste den rengöras minst en gång om dagen eller oftare vid behov. Efter en period när maskinen stått oanvänd rekommenderar vi att den rengörs innan användning.

**⚠ OBSERVERA!** Risk för elektrisk stöt! Innan man

*börjar rengöra maskinen ska man koppla ur stickkontakten från elnätet och ställa tjockleksvredet i säkert läge.*

 **OBSERVERA!** Risk att skära sig på vass klinga! Kontrollera att vredet för att ställa in skivans tjocklek (3) är ställt till säkert läge (läge 0) (Bild A).

Rengöringsprodukter:  
INGA DELAR FÅR DISKAS I DISKMASKIN! Använd endast vatten och ett biologisk nedbrytbart skumdiskmedel för köksgeråd med ett pH-värde på 7-8. Använd en mjuk skumtrasa och en flaskborste i nylon för att rengöra platta och press. Rengör aldrig maskinen med vatten- eller ångstrålar eller liknande metoder.

### Rengöra glidplattan SLL 315-350-370, SLH 315-350-370


- SLL 315-350-370: dra glidplattan till ändläge. Ett metalliskt klickljud informerar användaren om att produkt-hållarplattan har blockerats. Høj produkt-hållarplattan helt (Bild E-1); rengör glidplattan och upprepa momenten i omvänd ordning för att ställa tillbaka glidplattan.


- SLH 315-350-370: lossa genom att vrida handtaget som fäster produkt-hållarplattan i moturs riktning. Dra glidplattan till ändläge. Ett metalliskt klickljud informerar användaren om att produkt-hållarplattan har blockerats. För glidplattan bort från tjockleksmätaren och høj pressen (Bild F-1), rengör glidplattan och sänk pressen. Lyft glidplattan och rengör produkt-hållarplattan (Bild F-2); lossa produkt-hållarplattan genom att vrida handtaget i medurs

riktning.

### Ta bort produkt-hållarplattan (SLG 315-350-370)

- ställ tjockleksvredet (3) till säkert läge (Bild A, Bild D-1) och dra tillbaka stödet (6) hela vägen till ändläge mot användaren (Bild D-2),  
- vrid låsvredet (7) helt i moturs riktning (Bild D-3) samtidigt som stödet hålls kvar i stoppläge, ända tills säkerhetsanordningen som blockerar tjockleksmätaren aktiveras,  
- dra produkt-hållarplattan uppåt genom att dra av den från stödet.

 **OBSERVERA!** Försäkra er om att pressen vilar mot plattan innan stödet dras ut.


 **OBSERVERA!** Håll kvar tjockleksvredet i det säkra läget "0".

### Ta bort produktpressen (SLG 315-350-370)

vrid handtaget och dra ut pressen (Fig. G).

### Ta bort klingskyddet (11)

- vrid i moturs riktning och lossa handtaget på klingskyddets stag (19),  
- tryck på stagets handtag och høj klingskyddet för att ta bort det.

 **OBSERVERA!** När klingskyddet avlägsnats kommer en förreglingsanordning att stoppa klingans rotation.

### Ta bort skivskyddet (20)

Lossa fästskruven/fästskruvarna och ta bort skivskyddet.

För gravitationsmodellerna SLG: lossa låsstiftet och vrid skivskyddet nedåt för att dra loss det från stiftet.

### Sliptillsats (12)

Rengör stommen med en fuktig trasa. Doppa inte i vatten.


Gå vidare till att rengöra:

- klingan: tryck en mjuk trasa mot klingan och för trasan försiktigt från mitten och utåt, som på bilden, både på sidan med klingskyddet och den andra sidan. Torka efter på samma sätt med en torr trasa. Sätt ALDRIG igång maskinen under rengöringen;

- skyddsring: använd en flaskborste i nylon för att rengöra området mellan klingan och skyddsringen. Se noga till att hålla händerna på behörigt avstånd från klingan;

- maskinstomme: rengör maskinstommen med en fuktig trasa eller en svamp och skölj med vatten. Torka noggrant;

- sliptillsats: 1) rengör stommen med en fuktig trasa och sliptrissorna med en nylonborste, 2) doppa aldrig sliptillsatsen i vatten. Sliptrissan kan enkelt avlägsnas från sliptillsatsen genom att dra av den i pilens riktning (Bild I). Vi rekommenderar att sliptrissan hålls ren för att garantera en korrekt slipning. Avlägsna smuts och fett med alkohol och en nylonborste.

 **OBSERVERA!** Rengör alla nedmonterade delar var för sig. Använd ljummet vatten, ett MILT diskmedel och en liten borste eller en trasa. Skölj i varmt vatten och torka av.

Montera genom att utföra de beskrivna momenten i omvänd ordningsföljd

### AVLÄGSNA KLINGAN

 **OBSERVERA!** Använd endast originalutrust-



ning!

**! OBSERVERA!** Risk att skära sig! Får användas först efter att man läst de bruksanvisningar som medföljer produkten.

Om man köpt en anordning för att dra ut klingan rekommenderar vi att man följer de bruksanvisningar som medföljer den aktuella anordningen när man ska ta bort klingan.

## UNDERHÅLL

### Slipning

Hur ofta och hur länge man ska slipa maskinen beror på hur apparaten används.

Innan slipning ska man:

1. kontrollera att maskinen är avstängd;
2. försäkra sig om att sliptrissan och klinga är rena;
3. ställa tjockleksvredet i säkert läge;
4. dra tillbaka produkthållarplattan helt.

För att gå vidare med slipning ska man:

- Höja sliptillsatsens skyddshölje. Dra i handtaget som frikopplar anordningen (Fig. M-1) och rotera i klingans riktning (Fig. M-2). Sliptillsatsen kommer att låsas i korrekt läge. Tryck på startknappen för att starta maskinen. Vrid spaken något så att de två sliptrissorna kommer i kontakt med klingan under 10-15 sekunder (Fig. M-3). Slipning och gradning sker samtidigt. Tryck på stoppknappen och dra i anordningens handtag för att återställa den till ursprungsläget. Sänk sliptillsatsens skyddshölje.

**! OBSERVERA!** Sliptrissan

kan enkelt avlägsnas från sliptillsatsen genom att den dras av i pilens riktning (Bild I). Vi rekommenderar att sliptrissan hålls ren för att garantera en korrekt slipning. Avlägsna smuts och fett med alkohol och en nylonborste.

### Smörjning

Efter en normal användningsperiod kan man behöva smörja vagnens skenor. Vi rekommenderar att man smörjer en gång i månaden. Använd uteslutande syrafri olja (vi rekommenderar vaselinolja). Använd inte vegetabilisk olja.

Följ nedanstående anvisningar för att smörja maskinen: 1) för vagnen så nära användaren som möjligt; 2) för in oljepumpen i det avsedda hålet och tryck ut en liten mängd olja; 3) ta bort oljepumpen och dra vagnen fram och tillbaka 2-4 gånger.

## SERVICE

Det finns inga reservdelar inne i förpackningen. Alla reparationer och byten (som exempelvis byte eller reparation av klingan, remmen, de elektriska komponenterna, delar av stommen, etc.) ska uteslutande utföras av tillverkarens behöriga personal. Vid behov av reparation rekommenderar vi att man skickar tillbaka maskinen till tillverkaren eller till ett behörigt servicecenter.

För information om servicecenter ska man vända sig till: [service@berkelinternational.com](mailto:service@berkelinternational.com).

**! OBSERVERA!** *Klingan måste bytas ut när mellanrummet mellan klingans kant och skyddets inre kant överstiger 6 mm.*

## GARANTI OCH ANSVAR

Tillverkaren lämnar 24 månaders garanti på maskinen med start från inköpsdatumet. Garantin täcker endast defekter som uppstått under korrekt användning i enlighet med de anvisningar som finns i bruksanvisningen. Garantin täcker inte defekter som orsakats under transport, av köparens inkompetens eller försumelse, en felaktig installation eller placering, av slitage eller vid strömvärden som överskrider det nominella värdet med 10% eller mer. Dessutom täcker inte garantin förbrukningskomponenter, som klingan eller sliptrissor, förutom i uppenbara fall av fabriktionsfel.

ITillverkaren avsäger sig allt direkt och indirekt ansvar för:

- att användaren inte följt anvisningarna i bruksanvisninge;
- användning som strider mot gällande föreskrifter i installationslandet;

- icke godkända ändringar och/eller reparationer på maskinen;

- användning av tillbehör eller reservdelar som inte är original;
- exceptionella händelser.

När äganderätten till maskinen överförs frigörs tillverkaren omedelbart från allt ansvar, förutom att följa direktiv 2006/42/CE (ansvar för alla tillverkningsfel på produkten). På märkplåten som finns på maskinstommen återfinns tillverkare, maskininformation, teknisk information och CE-märkning.

## SKROTNING OCH KASSERING

Maskinen består av:  
- aluminiumlegering;

- insatser och diverse komponenter i rostfritt stål;
- elektriska komponenter och elkablar;
- elektrisk motor;
- plast etc.

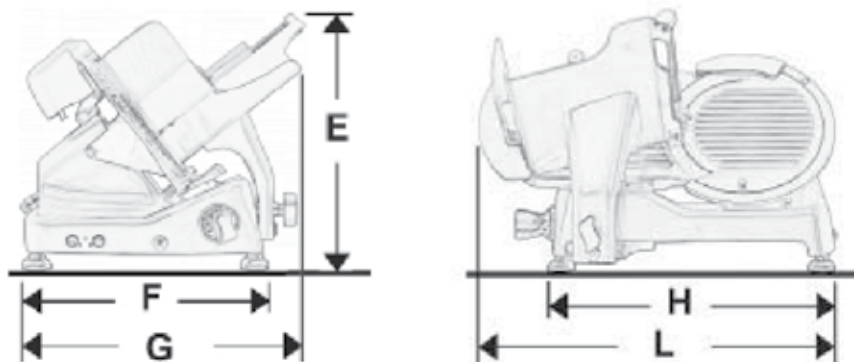
maskinen nått slutet av sin livslängd ska den lämnas till avfallsinsamling. Man kan få information om kassering från sin lokala myndighet.

Om kassering anförtros en tredje part, ska man uteslutande välja ett företag som är behörigt att hantera ovan nämnda typer av material. Apparaten överensstämmer med EU-direktiv 2012/19/EU. Innehåller material som kan återanvändas eller återvinnas. En korrekt avfallssortering underlättar återvinning. När

## Problemlösning

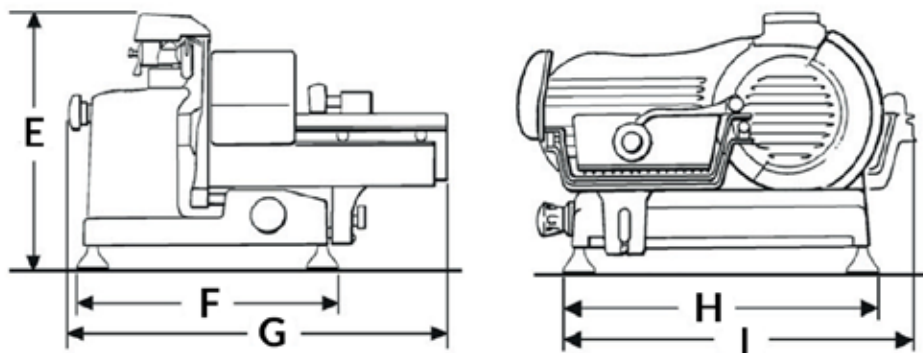
PROBLEM	MÖJLIG ORSAK	ÅTGÄRD
Maskinen startar inte när man trycker på startknappen	Det saknas ström eller så är kontrollkretsen skadad	Kontrollera att stickkontakten sitter i korrekt. Om problemet kvarstår ska man kontakta Kundservice
När man trycker på startknappen startar maskinen men indikeringslampan tänds inte	Lampan är sönder	Använd inte maskinen när indikeringslampan är släckt. Kontakta kundservice
För mycket motstånd vid skärning av produkten	Klingan är inte slipad	Slipa klingan
Klingan arbetar långsammare eller stannar när den belastas	Remmen kan ha slaknat eller skadats	Kontakta kundservice för att ställa in eller byta ut remmen
När man trycker på stoppknappen stannar inte maskinen	Kontrollkrets skadad	Stoppa omedelbart maskinen genom att dra ut kontakten från nätet och kontakta omedelbart kundservice
För stort motstånd vid de glidande komponenternas rörelse (press, vagn)	Glidskenorna har inte smörjts in regelbundet	Smörj in dem

## SLG 315 - 350 -370



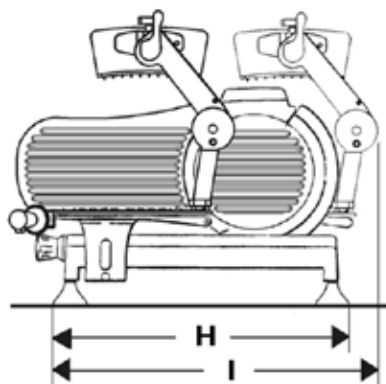
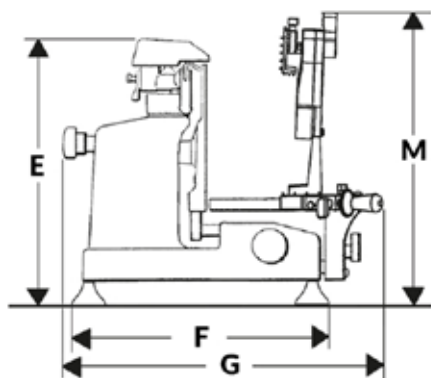
MODELL	SLG315	SLG350	SLG370
E	500 mm	540 mm	540 mm
F	420 mm	490 mm	490 mm
G	740 mm	800 mm	800 mm
H	525 mm	615 mm	615 mm
L	750 mm	800 mm	890 mm
SPECIFIKATIONER			
Ø Klingans diameter	315 mm	350 mm	370 mm
Maximal skivtjocklek	0 -14	0 -14	0 -14
Nettovikt	32 kg	44 kg	49 kg
Kapacitet rektangulär skärning	255x160h	300x195h	300x210h
Kapacitet cirkelformad skärning	205 mm	250 mm	265 mm
Motoreffekt	0,25   0,30 kW	0,30   0,35 kW	0,30   0,35 kW
Elektriska specifikationer	230/50/1 - 400/50/3 V - Hz		

SLH 315 - 350 - 370



MODEL	SLH315	SLH350	SLH370
E	515 mm	550 mm	560 mm
F	450 mm	460 mm	530 mm
G	650 mm	710 mm	800 mm
H	560 mm	570 mm	640 mm
I	670 mm	670 mm	750 mm
SPECIFIKATIONER			
øKlingans diameter	315 mm	350 mm	370 mm
Maximal skivtjocklek	0-24	0-24	0-24
Nettovikt	38 kg	45 kg	56 kg
Kapacitet rektangulär skärning	270x225h	320x270h	370x260h
Kapacitet cirkelformad skärning	225 mm	270 mm	260 mm
Motoreffekt	0,30   0,35 kW	0,30   0,35 kW	0,30   0,35 kW
Elektriska specifikationer	120/60/1 - 220/60/1 - 230/50/1 - 400/50/3 V - Hz	120/60/1 - 220/60/1 - 400/50/3 V - Hz	120/60/1 - 230/50/1 - 400/50/3 V - Hz

## SLL 315 - 350 - 370



MODELL	SLL315	SLL350	SLL370
E	510 mm	550 mm	560 mm
F	450 mm	450 mm	530 mm
G	640 mm	670 mm	720 mm
H	560 mm	590 mm	640 mm
I	650 mm	710 mm	800 mm
M	670 mm	680 mm	670 mm
SPECIFIKATIONER			
ø Klingans diameter	315 mm	350 mm	370 mm
Maximal skivtjocklek	0 -14	0 -14	0 -14
Nettovikt	40 kg	45 kg	56 kg
Kapacitet rektangulär skärning	290x225h	320x270h	350x280h
Kapacitet cirkelformad skärning	225 mm	270 mm	280 mm
Motoreffekt	0,30   0,35 kW	0,30   0,35 kW	0,30   0,35 kW
Elektriska specifikationer	120/60/1 V - Hz   220/60/1 V - Hz 230/50/1 V - Hz   400/50/3 V - Hz		

Notera: Som ett resultat av kontinuerlig forskning för att ständigt förbättra våra produkter, tekniska specifikationer kan möjligen variera.





*Berkel*

Van Berkel International S.r.l.  
via Ugo Foscolo, 22  
21040 Oggiona S. Stefano (VA) - ITALY  
T +39 0331 214311  
[info@berkelinternational.com](mailto:info@berkelinternational.com)  
**[theberkelworld.com](http://theberkelworld.com)**