

User Instructions

BRUKSANVISNING • PŘÍRUČKY • INSTRUCCIONES DE USO • BEDIENUNGSANLEITUNG • BRUGSANVISNING • KÄYTTÖOHJE • MODE D'EMPLOI • ΟΔΗΓΙΕΣ ΧΡΗΣΗΣ • UPUTE ZA KORISNIKA
ISTRUZIONI PER L'USO • NOTKUNARLEIDBEININGAR • GEBRUIKSAANWIJZING • INSTRUKCJA OBSŁUGI • INSTRUÇÕES DE USO • РУКОВОДСТВО ПОЛЬЗОВАТЕЛЯ • NAVODILA • 使用说明

Combi Cutter CC-34



CC-34 CUTTER/BOWL ATTACHMENT

PARTS / ASSEMBLING



SCRAPER HANDLE



LID



SCRAPER RING



KNIFE

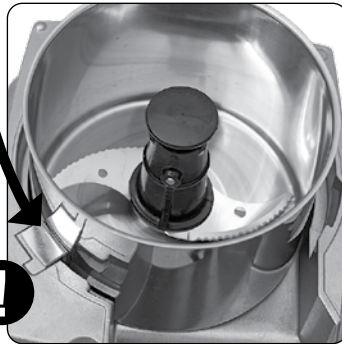
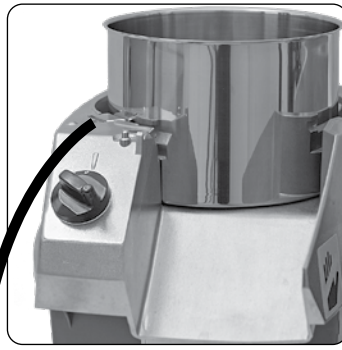


BOWL



MACHINE BASE

ASSEMBLING THE BOWL



FIT THE SEALING RING



ASSEMBLING THE LID



DISMANTLING THE LID

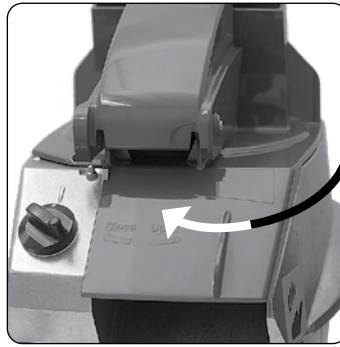


CC-34 VEGETABLE PREPARATION ATTACHMENT

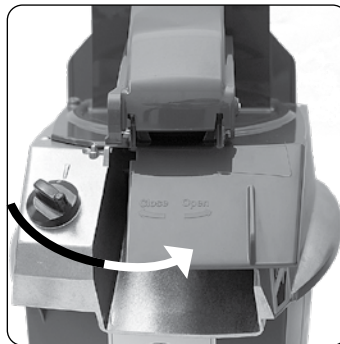
PARTS / ASSEMBLING



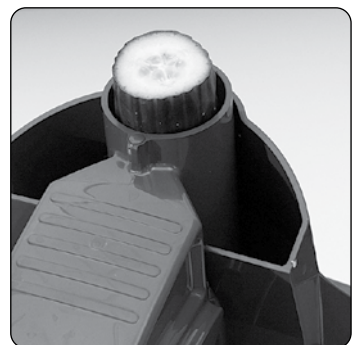
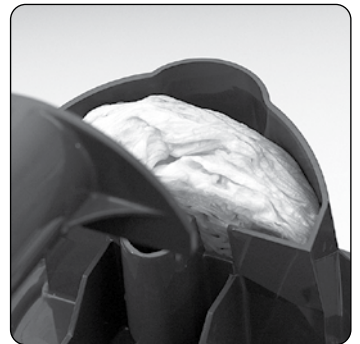
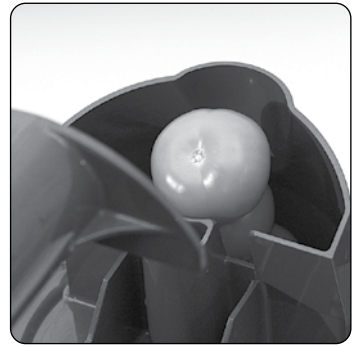
ASSEMBLING THE FEEDER



DISMANTLING THE FEEDER



USING THE FEEDERS



USER INSTRUCTIONS

HALLDE CC-34

(GB)

CAUTION!

Be very careful, especially of your hands, with sharp knife blades and moving parts.

Always carry the machine by the two handles on the sides of the machine base.

Never put your hands into the bowl or in the feed compartment or in the feed tube of the vegetable preparation attachment.

Always use the pestle during cutting with the feed tube of the vegetable preparation attachment.

Before cleaning the machine, always switch it off by moving the speed control into the "O" position and then removing the power plug from the wall socket, alternatively open the isolating switch.

Always grip the handle of the vegetable preparation attachment when the feed compartment is being opened or closed.

Only a qualified service mechanic may repair the machine and open the machine housing.

Do not use the vegetable preparation attachment to cut frozen foods. Remove all hard parts from foods before cutting (e.g., apple stems, woody parts of turnips, etc.) to avoid damaging the cutting blades.

This appliance is not to be operated by children or persons with reduced physical, sensory or mental capabilities or persons lacking experience of such appliances, unless they are given adequate instruction or supervision.

UNPACKING

Check that all the parts are included, that the machine works and that nothing has been damaged during shipping. Claims should be made to the machine supplier within eight days of delivery.

INSTALLATION

Remove the knife from the bowl before installation.

Connect the machine to a mains electricity supply with specification in accordance with the details on the data plate on the back of the machine base.

Place the machine on a sturdy bench or table 650–900 mm high.

Mount the wall rack for the cutting tools and the ejector plate on a wall close to the machine.

ALWAYS CHECK BEFORE USE

WITH THE VEGETABLE PREPARATION ATTACHMENT:

Remove the plug from the power supply socket or open the isolating switch, and then check that the electric cable is in good condition and is not cracked on the outside.

Remove the vegetable preparation attachment, any cutting tools and the ejector plate in accordance with the instructions under the heading "Dismantling", and then check that the machine will not start when the speed control is in the "II" position.

Fit the machine in accordance with the instructions under the heading "Assembling". Set the speed setting knob to the "II" position. Check that the machine stops when the handle of the vegetable preparation attachment is raised and that the axle/shaft stops rotating within 2 seconds. Then check that the machine re-starts when the handle is lowered.

Check that the rubber feet on the machine base are firmly screwed into position.

With regard to cutting tools, see page 55.

In the event of any fault or malfunction, call in a qualified service mechanic to remedy to correct the fault before using the machine.

WITH THE CUTTER/BOWL ATTACHMENT:

Remove the plug from the power supply socket or open the isolating switch, and then check that the electric cable is in good condition and is not cracked on the outside.

Fit the bowl, knife and lid. Set the speed control to position "II" and check that the shaft then stops rotating within 4 seconds after the lid has been removed by turning it anti-clockwise as far as it will go.

Remove the lid, the knife and the bowl. Turn the speed control to the "II" position and check that the machine does not start.

Check that the rubber feet of the machine are firmly screwed into position.

Check that the knives are in good condition and sharp.

In the event of any fault or malfunction, call in a qualified service mechanic to remedy the fault before using the machine.

TYPE OF PROCESSING

WITH THE VEGETABLE PREPARATION ATTACHMENT:

Slices, dices, grates, shreds, cuts julienne and crimping slicers in a variety of dimensions, depending on the cutting tool selected. Processes vegetables, fruit, dry bread, cheese, nuts, mushrooms etc.

The large feed compartment is used mainly for bulk feeding of all sorts of products and for cutting larger products such as cabbage.

The large feed compartment is also used when the product is to be cut in a specific direction,

such as tomatoes and lemons. Place/stack the products as shown in the picture.

The in-built feed tube is used for cutting long products such as cucumbers, see picture.

WITH THE CUTTER/BOWL ATTACHMENT:

Chops, grinds, mixes and blends minced meat, aromatic butter, dressing, desserts, purée, paté, soups etc. Prepares meat, fish, fruit, vegetables, onions, parsley, nuts, almonds, parmesan, mushrooms, chocolate, etc.

USERS

Restaurants, shop kitchens, cafés, bakeries, diet kitchens, retirement homes, schools, fast food outlets, day care centers, salads bars etc.

CAPACITY

WHEN USING THE VEGETABLE PREPARATION ATTACHMENT

Up to 80 portions per day and 2 kg per minute.

WHEN USING THE CUTTER/BOWL ATTACHMENT

For a good and even result with firm foods such as meat, cheese, they should first be separated into pieces of roughly equal size and no larger than about 3x3x3 cm.

The recommended maximum quantities that the machine should process at one time are shown below.

- Meat: 1 kg
- Fish: 1 kg
- Aromatic butter: 1 kg
- Mayonnaise: 1 litre
- Parsley: 1 litre

THE SCRAPER

CUTTER/BOWL ATTACHMENT:

Always have the scraper fitted during all types of processing since the three scraper blades slow down the rotation of the food in the bowl and guide the food toward the centre/cutting zone of the bowl.

By turning the handle of the scraper back and forth, the lid and walls of the bowl can easily be scraped and the food returned to the cutting zone while the machine is operating.

ASSEMBLING

THE VEGETABLE PREPARATION ATTACHMENT:

Place the ejector plate on the shaft, turn the ejector plate and press it down into its coupling.

Then place the chosen cutting tool on the shaft and rotate the cutting tool so that it drops into its coupling.

During dicing: place the dicing grid with the sharp edge of the knives upward, so that the recess in the side of the dicing grid fits into the guide groove on the machine base. Then place

the slicer on the shaft and rotate the slicer so that it drops down into its coupling.

Place the vegetable preparation attachment on the machine base so that the text "Close Open" is at 5 o'clock in relation to the outlet of the machine base and turn the vegetable preparation attachment clockwise as far as it will go and it is firmly in position.

THE CUTTER/ BOWL ATTACHMENT:

Place the bowl on the machine base so that the locating plate of the bowl is inserted into the recess on the top of the machine base.

Place the knife on the shaft and rotate the knife while pressing it down so that it sinks completely into its coupling.

Fit the sealing ring into the groove on the inside of the lid.

Grip the centre of the scraper ring and place the lid on the scraper ring.

Place the scraper handle on top of the lid and the scraper ring under it. Turn the scraper handle anti-clockwise as far as it will go in the scraper ring and the three parts are joined.

Place the lid on the bowl so that the text "Close Open" is at 5 o'clock in relation to the outlet of the machine base.

Turn the lid clockwise as far as it will go.

DISMANTLING

THE VEGETABLE PREPARATION ATTACHMENT:

Turn the vegetable preparation attachment anti-clockwise as far as it will go then lift it off.

Turn the cutting tool clockwise and lift it off.

Lift off the dicing grid.

Lift off the ejector plate.

THE CUTTER/ BOWL ATTACHMENT:

Turn the lid anti-clockwise as far as it will go and lift away the lid/scraper.

Press the scraper ring and the scraper handle together, while rotating the scraper handle clockwise as far as it will go and separate the three parts.

Rotate the knife clockwise as far as it will go and remove the knife and lift off the bowl. If the contents of the bowl are liquid it should be emptied before the knife is removed.

USING THE SPEED CONTROL

During dicing and slicing of fragile foods such as tomatoes, etc., it is recommended that the speed control is set in the "I" position to give extra slow/gentle processing and the best results.

With the speed control in the "O" position the machine is switched off. In the "I" position the machine operates continuously at low speed and in the "II" position continuously at high speed. In the "P" (pulse) position the machine

operates until the speed control is released (cutter/ bowl attachment).

CLEANING

Read all of the instructions before you begin to clean the machine.

BEFORE CLEANING: Always switch off the machine and remove the power supply plug from the socket. Alternatively, if the machine does not have a plug, open the isolating switch. Remove all the removable parts that are to be cleaned. If the machine is fitted with a vertical cutter/mixer attachment remove the scraper blades and sealing ring as well.

CLEANING IN A DISHWASHER: All removable parts are machine washable.

CLEANING BY HAND: Always use hand dishwashing liquid.

CLEANING MATERIALS: Use a dish brush to clean the food zones. The knife shaft in the centre of the machine can be cleaned with a small bottlebrush. Use a damp cloth to wipe down the other surfaces on the machine.

DISINFECTING: Use isopropyl alcohol (65–70%). Isopropyl alcohol is highly inflammable so use caution when applying it.

WARNING:

- Do not pour or spray water onto the sides of the machine.
- Do not use sodium hypochlorite (chlorine) or any agent containing this substance.
- Do not use sharp objects or any objects not intended for the purpose of cleaning.
- Do not use abrasive detergents or cleaning products.

AVOID: Do not use cleaning sponges with scouring pads (e.g. Scotch-Brite™) unless absolutely necessary. This roughens the surface and makes it less water repellent.

ADVICE ON CARE:

- Clean the machine immediately after use.
- Dry the machine immediately after cleaning to avoid oxidation and discoloration of the surface.

INFORMATION: If the machine is left damp for longer periods stains will appear. These stains are harmless but the original surface will lose its lustre. Vegetables and fruit contain acids. Depending on which products are processed this will have an effect on the metal after varying periods of time. It is therefore important to clean the machine immediately after processing salty and acidic products.

TROUBLE SHOOTING

To eliminate the risk of damage to the motor, the CC-34 is fitted with thermal motor protection that automatically switches off the machine if the temperature of the motor should become too high. The thermal motor protection has automatic reset, which means that the machine can be started again when the motor has

cooled down, which usually takes between 10 and 30 minutes.

FAULT: The machine will not start or stops while running and cannot be re-started.

REMEDY: Check that the power plug is properly inserted in the wall socket or, alternatively, set the mains switch to the "I" position. Check that the fuses in the wall box for the premises have not blown and have the correct ampere rating. Check that the vegetable preparation attachment is correctly fitted and that the handle of the vegetable preparation machine has been lowered. Check that the bowl and lid are correctly fitted. Wait for up to 30 minutes and then try to start the machine again. Call in a qualified service mechanic for action.

FAULT: Low capacity or poor processing result when using the vegetable preparation attachment.

REMEDY: Select the right cutting tool. Always use the ejector plate. Check that the knives and grater/shredder plates are whole and sharp. Press the food down loosely with less force.

FAULT: Low capacity or poor processing results when using the cutter/ bowl attachment.

REMEDY: Separate the foods into smaller, evenly-sized pieces, max. 3x3x3 cm. Process for a shorter or longer period of time. Process a smaller amount each time. Always have the scraper fitted and use it as required.

FAULT: The cutting tool cannot be removed when using the vegetable preparation attachment.

REMEDY: Always use the ejector plate. Use a thick leather glove or other glove that the blades of the cutting tool cannot cut through and remove the cutting tool by turning it clockwise.

TECHNICAL SPECIFICATION HALLDE CC-34

CAPACITY AND VOLUME: Processes up to 2 kg. per minute with the Vegetable preparation attachment depending on the type of cutting tool and foods. Volume of the vegetable preparation attachment: 0.9 litres. Diameter of the feed tube: 53 mm. Cutter/ bowl attachment: gross volume of bowl: 3 litres. Net volume of bowl with free-flowing liquid: 1.4 litres.

MACHINE BASE: Motor: 1.0 kW. 100-120 V, Single phase, 50-60 Hz. 220-240 V, single phase, 50/60 Hz. Thermal motor protection. Transmission: maintenance-free toothed belt. Safety system: Two safety switches. Degree of protection: IP34. Power supply socket: Earthed, single phase, 10 A. Fuse in fuse box for the premises: 10 A, delayed. Sound level: LpA (EN31201): 76 dBA during cutting and 82 dBA during chopping. Magnetic field: Less than 0.1 microtesla.

CONTROLS AND SPEEDS: Four speeds (HALLDE 4-Speed) for perfect processing results in connection with both vegetable preparation attachment and cutter/ bowl attach-

ment. Automatic speed setting (HALLDE Auto-Speed) that senses whether the vegetable preparation attachment or the cutter/ bowl attachment is fitted. During cutting with the vegetable preparation attachment the machine operates at 500 rpm in the "I" position and 800 rpm in the "II" position, and during chopping with the cutter/ bowl attachment 1,450 rpm in position "I" and 2 650 rpm in position "II". The pulse function operates at 2 650 rpm during chopping with the cutter/ bowl attachment, in "P" position.

CUTTING TOOLS AND CHOPPING KNIFE:
The diameter of the cutting tools is 185 mm.
The diameter of the chopping knife is 170 mm.

NET WEIGHTS: Machine base: 8.6 kg.
Vegetable preparation attachment complete but excluding cutting tools: 1 kg. Cutting tools: approx. 0.3 kg average. Fast chopping attachment complete but excluding knife: 1.4 kg.

NORMS/STANDARDS: NSF STANDARD 8, see declaration of conformity.

BRUKSANVISNING

HALLDE CC-34

(SE)

VARNING!

Akta händerna för vassa knivar och rörliga delar.

Bär alltid maskinen i de två handtagen på maskinbasens sidor.

Stick aldrig ner händerna i kärlet eller i grönsaksskärartillsatsens stora matarfack eller matarrör.

Använd alltid stöten vid skärning med grönsaksskärartillsatsens matarrör.

Stäng alltid av maskinen genom att ställa manövernöret i läge "0" och därefter dra ut stickkontakten ur vägguttaget alternativt slå ifrån arbetsbrytaren före rengöring.

Håll alltid i grönsaksskärartillsatsens handtag, när den skall öppnas och stängas.

Maskinen får endast repareras och maskinbasen öppnas av en behörig fackman.

Maskinen får inte användas till frysta råvaror med grönsaksskärartillsatsen. Alla hårda delar måste också avlägsnas från råvarorna, (äpplestjälkar, träiga kålrotsbitar och dylikt) så att de inte skadar knivbladen.

Denna maskin skall inte användas av barn eller personer med nedsatt motorik, kognitiv förmåga eller handikapp som utgör fara för användaren t.ex. nedsatt syn eller hörsel, utan uppsikt eller tydliga instruktioner.

UPPACKNING

Kontrollera att alla detaljer finns med samt att maskinen fungerar och att ingenting har skadats under transporten. Anmärkningar skall anmälas till maskinleverantören inom åtta dagar.

INSTALLATION

Avlägsna kniven ur kärlet före installationen.

Koppla maskinen till ett el-uttag med el-data som stämmer överens med uppgifterna på id-skylten på maskinbasens baksida.

Placera maskinen på en stadig bänk eller ett stadigt bord som är 650–900 mm högt.

Montera hängare för skärverktygen och utmatarskivan på väggen nära maskinen.

KONTROLLERA ALLTID FÖRE ANVÄNDNING

MED GRÖNSAKSSKÄRARTILLSATSEN:

Dra ut stickkontakten ur vägguttaget alternativt

slå ifrån arbetsbrytaren och kontrollera därefter att elkabeln är hel och inte har sprickor.

Avlägsna grönsaksskärartillsatsen, eventuella skärverktyg samt utmatarskivan enligt instruktionerna under rubriken "Demontering", och kontrollera därefter att maskinen inte startar när hastighetsreglaget ställs i läge "II".

Montera maskinen enligt instruktionerna under rubriken "Montering". Ställ hastighetsreglaget i läge "II". Kontrollera därefter att maskinen stannar när grönsaksskärartillsatsens handtag fälls upp och även att axeln då slutar rotera inom två sekunder. Kontrollera sedan att maskinen återstartar när handtaget fälls ner.

Att maskinbasens gummifötter är väl fastskruvade.

Gällande skärverktyg, se sidan 55.

Vid felfunktion, tillkalla fackman för åtgärd innan maskinen tas i bruk.

MED SNABBHACKSTILLSATSEN:

Dra ut stickkontakten ur vägguttaget alternativt slå ifrån arbetsbrytaren och kontrollera därefter att elkabeln är hel och inte har sprickor.

Montera kärlet, kniven och locket samt ställ hastighetsreglaget i läge "II" och kontrollera att axeln slutar att rotera inom 4 sekunder efter det att locket vridits loss moturs tills det tar stopp.

Avlägsna locket, kniven samt kärlet. Vrid hastighetsreglaget till läge "I" och kontrollera att maskinen då inte startar.

Att maskinbasens gummifötter är väl fastskruvade.

Att knivar är hela och skarpa.

Vid felfunktion, tillkalla fackman för åtgärd innan maskinen tas i bruk.

TYP AV BEREDNING

MED GRÖNSAKSSKÄRARTILLSATSEN:

Skivar, tärnar, strimlar, river, räfflar i olika dimensioner beroende på val av skärverktyg. Bereder grönsaker, frukt, torrbröd, ost, nötter, svamp etc.

Det stora matarfacket används främst för skopvis matning av alla typer av produkter (bild), samt vid skärning av större varor som exempelvis kål.

Det stora matarfacket används även när varan önskas skuren på en bestämd ledd, t ex tomat och citron. Placera/stapla varan enligt bild.

Det inbyggda matarröret används för att skära skivor av långsträckta varor som exempelvis gurka, se bild.

MED SNABBHACKSTILLSATSEN:

Hackar, finfördelar, mixar och blandar färs, aromsmör, dressing, dessert, puré, paté, soppor etc. Bereder kött, fisk, frukt, grönsaker, lök, persilja, nötter, mandel, parmesan, svamp, choklad, etc.

ANVÄNDARE

Restauranger, caféer, bagerier, butikskök, dietkök, hälsohem, skolor, daghem, servicehem, salladsbarer etc.

KAPACITET

VID ANVÄNDNING AV GRÖNSAKSSKÄRARTILLSATSEN:

Upp till 80 portioner per dag och 2 kg per minut.

VID ANVÄNDNING AV SNABBHACKSTILLSATSEN:

Hur stor mängd och hur stora bitar som kan beredas per gång samt vilken beredningstid som krävs, beror på varans konsistens och på vilket resultat som önskas.

För ett jämnt och bra resultat bör fasta varor som kött och ost, etc. först delas i ungefär lika stora bitar inte större än ca 3x3x3 cm.

Nedan anges den maximala mängden som rekommenderas beredas per gång.

- Kött: 1 kg
- Fisk: 1 kg
- Aromsmör: 1 kg
- Majonnäs: 1 liter
- Persilja: 1 liter

AVSKRAPAREN

SNABBHACKSTILLSATSEN:

Ha alltid avskraparen monterad vid all beredning eftersom de tre avskraparbladen bromsar upp varans rotation i kärlet och styr in varan mot kärlets centrum/knivzonen.

Genom att föra avskraparens handtag fram och tillbaka, skrapar man enkelt av locket och kärlets väggar samt återför varan till knivzonen medan maskinen arbetar.

MONTERING

AV GRÖNSAKSSKÄRARTILLSATSEN:

Placera utmatarskivan på axeln och rotera samt pressa ner utmatarskivan i sin koppling.

Placera sedan valt skärverktyget på axeln och rotera skärverktyget så att det faller ner i sin koppling.

Vid tärning; placera tärningsgallret med knivarnas vassa egg uppåt, så att styrspåret i gallrets sida passar in i styrklacken på maskinbasen. Placera därefter skivaren på axeln och rotera den så att den faller ner i sin koppling.

Placera grönsaksskärartillsatsen på maskinbasen så att texten "Close Open" hamnar klockan 5 sett från maskinens utlopp och pressa därefter grönsaksskärartillsatsen medurs tills det tar stopp och den sitter fast.

AV SNABBHACKSTILLSATSEN:

Placera kärlet på maskinbasen så att kärlets låsklack hamnar i försänkningen på maskinbasens ovansida.

Placera kniven på axeln, och rotera samt pressa samtidigt ner kniven så att den faller ner helt i sin koppling.

Fäst tätningsringen i spåret på lockets insida.

Ta tag i avskraparringens centrum och placera locket på avskrapar-ringen.

Placera avskraparhandtaget ovanpå locket och avskraparringen under. Vrid avskraparhandtaget moturs tills det tar stopp i avskraparringen och de tre delarna sitter ihop.

Placera locket på kärlet så att texten "Close Open" hamnar klockan 5 sett från maskinbasens utlopp.

Vrid locket medurs tills det tar stopp.

DEMONTERING

AV GRÖNSAKSSKÄRARTILLSATSEN:

Vrid grönsaksskärartillsatsen moturs tills det tar stopp och lyft därefter bort den.

Vrid skärverktyget medurs och lyft bort det.

Avlägsna tärningsgallret.

Lyft bort utmatarskivan.

AV SNABBHACKSTILLSATSEN:

Vrid locket moturs tills det tar stopp och lyft bort locket/avskraparen.

Pressa samman avskraparringen och avskraparhandtaget, samt rotera samtidigt avskraparhandtaget medurs tills det tar stopp och separera de tre delarna.

Rotera kniven medurs tills det tar stopp och avlägsna kniven samt lyft bort kärlet. Om innehållet i kärlet är flytande bör kärlet tömmas innan kniven avlägsnas.

SÅ HÄR ANVÄNDS MANÖVERVREDET

Vid tärnings-skärning och skivning av ömtåliga varor såsom tomat, etc. rekommenderas att vredet ställs i läge "I" för extra långsam/skonsam beredning och bästa resultat.

Med manövervredet i läge "0" är maskinen avstängd. I läge "I" går maskinen kontinuerligt på låg hastighet och i läge "II" kontinuerligt på hög hastighet. I läge "P" (puls) går maskinen tills vredet släpps (snabbhacktillsatsen).

RENGÖRING

Läs hela instruktionen innan du börjar rengöra maskinen.

INNAN RENGÖRING: Stäng alltid av maskinen och drag ut kontakten. Alternativt, slå ifrån arbetsbrytaren om maskinen inte är försedd med stickkontakt. Ta loss alla lösa delar som skall rengöras. Se även till att demontera avskraparblad och packning om maskinen är utrustad med snabbhacktillsats.

MASKINDISKNING: Samtliga löstagbara delar kan diskas i diskmaskin.

HANDDISKNING: Använd alltid handdiskmedel.

RENGÖRINGSVERKTYG: Använd en diskborste för att rengöra matzonerna. Knivaxeln i mitten av maskinen kan med fördel rengöras med en liten flaskborste. Använd en fuktig trasa för att torka maskinens övriga ytor.

DESINFEKTION: Använd isopropanol (65-70%). Isopropanol är extremt lättantändligt, använd därför med varsamhet.

WARNING:

- Häll eller spreja inte vatten på maskinens sidor.
- Använd inte natriumhypoklorit (Klorin) eller medel som innehåller detta ämne.
- Använd inte skarpa föremål eller föremål inte avsett för rengöring.
- Använd inte rengöringsmedel med slipande effekt.

UNDTVIK: Använd inte rengörings-svampar med skurnylon (t.ex. Scotch Brite™) om det inte är absolut nödvändigt. Detta ruggar upp ytan och gör den mindre vattenavstötande.

SKÖTSELRÅD:

- Rengör maskinen omgående efter användning.
- Torka maskinen omgående efter rengöring för att undvika oxidation och missfärgningar på ytan.

INFORMATION: Om maskinen lämnas fuktig under längre perioder kan fläckar uppstå. Dessa fläckar är ofarliga men den ursprungliga ytan kommer att förlora sin lyster. Grönsaker och frukt innehåller syror. Beroende på vilka produkter som bereds kommer dessa att påverka metallen olika snabbt. Därför är det viktigt att rengöra maskinen direkt efter beredning av salta och sura produkter.

FELSÖKNING

För att eliminera risken för skador på motorn, har CC-34 en brytarfunktion som automatiskt stänger av maskinen om motorns temperatur skulle bli för hög. Brytarfunktionen har automatisk återställning vilket gör att maskinen går att starta igen när motorn har svalnat vilket normalt tar mellan 10 och 30 minuter.

FEL: Maskinen startar ej eller stannar under körning och kan ej återstartas.

ÅTGÄRDER: Kontrollera att stickkontakten sitter i vägguttaget alternativt ställ arbetsbrytaren i läge "I". Kontrollera att säkringarna i lokalens säkringsskåp är hela och har rätt ampere-tal. Kontrollera att grönsaksskärartillsatsen, är korrekt monterad och att grönsaksskärarens handtag är nerfällt. Kontrollera att kärlet och locket är korrekt monterade. Vänta i upp till 30 minuter och försök att starta maskinen på nytt. Tillkalla fackman för åtgärd.

FEL: Låg kapacitet eller dåligt beredningsresultat vid beredning med grönsaksskärartillsatsen.

ÅTGÄRD: Välj rätt skärverktyg. Använd alltid utmatarskivan. Kontrollera att knivar och rivplåtar är hela och har god skärpa. Pressa ner varan lösare.

FEL: Låg kapacitet eller dåligt beredningsresultat vid beredning med snabbhacktillsatsen.

ÅTGÄRD: Fördela varan i mindre och lika stora bitar max 3x3x3 cm stora. Bered kortare eller längre tid. Bered en mindre mängd per gång. Ha alltid avskraparen monterad och använd den vid behov.

FEL: Skärverktyget går ej att ta bort vid beredning med grönsaksskärartillsatsen.

ÅTGÄRD: Använd alltid utmatarskivan. Använd en tjock skinnhandske, etc. som inte skärverktygets knivar kan skära igenom, och vrid loss skärverktyget medurs.

TEKNISK DATA HÄLLDE CC-34

KAPACITET OCH VOLYM: Bereder upp till 2 kg per minut med grönsaksskärartillsatsen beroende på val av skärverktyg och råvara. Grönsaksskärartillsatsens volym: 0,9 liter. Matarrörets diameter: 53 mm. Snabbhacktillsatsen: kärlets bruttovolym: 3 liter. Kärlets nettovolym lättflytande vätska 1,4 liter.

MASKINBAS: Motor: 1,0 kW. 100-120 V, 1-fas, 50-60 Hz. 220-240 V, 1-fas, 50/60 Hz. Termiskt motorskydd. Transmission: underhållsfri kuggrem. Säkerhetssystem: två säkerhetsbrytare. Skyddsklass: IP34. Väggslutning: jordad, 1-fas, 10 A. Säkring i lokalens säkringsskåp: 10 A, trög. Ljudnivå LpA (EN31201): 76 dBA vid skärning och 82 dBA vid hackning. Magnetfält: mindre än 0,1 mikrotesla.

REGLAGE OCH HASTIGHETER: Fyra hastigheter (HÄLLDE 4-Speed) för perfekt beredningsresultat vid användning av både grönsaksskärartillsats och snabbhacktillsats. Automatisk hastighetsinställning (HÄLLDE Auto-Speed) som känner av om grönsaksskärartillsatsen eller snabbhacktillsatsen är monterad. Vid skärning med grönsaksskärartillsatsen ca 500 varv/min i läge "I" på vredet och ca 800 varv/min i läge "II", samt vid hackning med snabbhacktillsatsen ca 1 450 varv/min i läge "I" och ca 2 650 varv/min i läge "II". Pulsfunktion vid beredning med snabbhacktillsatsen har en hastighet på 2 650 varv/min i läge "P".

SKÄRVERKTYG OCH HACKKNIV: Skärverktygens diameter: 185 mm. Hackknivens diameter: 170 mm.

NETTOVIKTER: Maskinbas: 8,6 kg. Grönsaksskärartillsats komplett exklusive skärverktyg: 1 kg. Skärverktyg: ca 0,3 kg i genomsnitt. Snabbhacktillsats komplett inklusive kniv: 1,4 kg.

NORMER: NSF STANDARD 8, se försäkran om överensstämmelse.

使用说明

HALLDE CC-34

型号组合切割器

(CN)

注意事项！

开始使用机器前，请阅读所有说明。

请小心使用机器，注意锋利的刀片和运转部件，切勿伤及双手。

请务必通过机器底座两侧的手柄运输此机器。

请勿将双手置于切割器容器或备菜装置的传送区或传送管中。

备菜装置传送管进行切割时，请务必使用研磨棒。

清洁机器前，请始终保持电源为关闭状态，调节速度控制按钮至“O”档，从壁式插座中拔出电源插头或打开隔离开关。

打开或关闭传送区时，请保持紧握备菜装置的手柄。

如需维修机器或打开机器外壳，请联系合格技工。

请勿使用备菜装置切割冷冻食品。切割前，请清除食品上的坚硬物质(如苹果茎、萝卜木部等)，以避免损坏切割刀片。

若无充分的指导或监督，请勿让儿童或肢体、感官、意识能力较弱的人员或缺乏此类设备操作经验的人员操作该机器。

取出机器

请检查机器所有部件是否配送齐全，机器是否可运转，并检查运输过程是否导致机器受损。如有任何问题，请在8天内告知机器供应商。

机器安装

安装前请取出容器中的刀片。

请根据机器底座背面铭牌上的详细信息，将机器连接至合规的主电源中。

请将机器置于坚固的工作台上或高650-900毫米的桌台上。

请将用于放置切割工具的壁架和顶板安装至靠近机器的墙上

使用机器前请例行检查

备菜装置：

请从电源插座中拔出插头，或打开隔离开关，并检查电缆是否具有良好的性能，其外部是否受损。

请根据“拆卸”类目下的指导取出备菜装置、所有切割工具和顶板。当速度控制按钮位于“II”档时，请检查机器是否尚未启动。

请根据“组装”类目下的指导安装机器，将速度设置按钮调至“II”档。举起备菜装置手柄时，请检查机器是否停止运转、传动轴是否在2秒内停止旋转，放下手柄时，请检查机器是否重启。

请检查机器底座上的橡胶支脚是否已牢固拧入到位。

切削工具的相关内容请参阅第43页。

如有任何故障，请在使用机器前致电合格技工以修理故障。

切割/容器装置：

请从电源插座中拔出插头，或打开隔离开关，并检查电缆是否具有良好的性能，其外部是否受损。

请安装切割器容器、刀片和机盖，调节速度控制按钮至“II”档，并以逆时针方向尽可能旋转机盖，在打开机盖4秒内检查传动轴是否停止旋转。

请取出机盖、刀片和容器，调节速度控制按钮至“II”档，并检查机器是否尚未启动。

请检查机器底座上的橡胶支脚是否已牢固拧入到位。

请检查刀片状态是否良好锋利。

如有任何故障，请在使用机器前致电合格技工以修理故障。

加工类型

备菜装置：

根据所选的切割工具，该机器可将物品按各种尺寸切片、切丁、磨碎、切丝或切成薄片。可用于加工蔬菜、水果、干面包、奶酪、坚果和蘑菇等食品。

该机器配有大型传送区，主要用于批量添加各种产品或用以切割如卷心菜等体积较大的食物。

该机器配有大型传送区，可按特定方向切割如西红柿、柠檬等食物。请按如图所示放置/堆叠产品。

该机器配有嵌入式传送管，可用于切割如黄瓜等长度较长的食物，请参阅图片。

切割/容器装置：

可用于剁碎、研磨或混合肉末、芳香黄油、调味料、甜点、菜泥、肉饼和汤等食品，也可用于准备肉、鱼、水果、蔬菜、洋葱、欧芹、坚果、杏仁、帕尔玛干酪、蘑菇和巧克力等食品。

用途

可用于餐厅、商店厨房、咖啡馆、面包房、餐饮厨房、养老院、学校、快餐店、日托中心和沙拉吧等地。

机器容量

使用备菜装置：

每日最多可加工80份产品，每分钟可加工2千克。

使用切割/容器装置：

机器单次加工可容纳的食品数量和尺寸以及加工所需要的时长取决于食品的稠度与预期加工效果。

若要使肉和奶酪等坚固类食品加工成质地均匀且良好的成品，应首先将此类食品分成大小基本相同且体积不大于3x3x3厘米的小块。

以下列表为机器单次加工可容纳的食品最大建议量：

- 肉类：1千克。
- 鱼类：1千克。
- 芳香黄油：1千克。
- 蛋黄酱：1公升。
- 欧芹：1公升。

刮板机

(切割/容器装置)

请在所有加工工作运转过程中全程安装刮板机。刮板机的三片刮刀将减慢容器中食物的旋转速度，并将食物导向容器中心/切割区域。

机器运转时，通过来回旋转刮板机的手柄，可以轻松刮擦容器机盖和机身，并将食物送回切割区。

机器组装

备菜装置：

请将顶板置于传动轴上，旋转顶板并将其按压至联轴器中。

请将所选的切割工具置入传动轴上，并将其旋转，使其落入联轴器中。

切割过程中：切割网带有锋利的刀尖，请将其朝上放置，使其侧边的凹槽装入机器底座的导槽中，并将切割器置于传动轴上，旋转切割器，使其落入联轴器中。

请将备菜装置置入机器底座中，使“关闭开启”的指示指向机器底座电源插座的5点钟方向，并以顺时针方向尽可能将其旋转，使其牢固就位。

切割/容器装置：

请将容器置于机器底座，使容器的定位板嵌入机器底座顶部的凹槽中。

请将刀片置于传动轴中，向下按压刀片的同时请旋转刀片，使其完全没入联轴器中。

请将密封圈安装至机盖内侧的凹槽中。

请紧握刮油环的中心位置，并将机盖置于刮油环上。

请将刮板机的手柄置于机盖顶部，并将刮油环置于手柄的下端，以逆时针方向尽可能旋转刮油环上的手柄，使刮板机三个部件相互连接。

请将机盖置于容器上，使“关闭开启”的指示指向机器底座电源插口的5点钟方向。

请以顺时针方向尽可能旋转机盖。

拆卸机器

备菜装置：

请以逆时针方向尽可能旋转备菜装置，并将其取出。

请以顺时针方向旋转切割工具，并将其取出。

请取出切割网。

请取出顶板。

切割/容器装置：

请以逆时针方向尽可能旋转机盖，并取出机盖/刮板机。

请同时按压刮油环和刮板机手柄，并以顺时针方向尽可能旋转刮板机手柄，使三个部件分离。

请以顺时针方向尽可能旋转刀片，并取出刀片和容器。若容器中为液体物质，请在取出刀片前清空容器。

速度控制按钮的使用

在对易碎食品(如西红柿等)进行切块和切片时，建议调节速度控制按钮至“I”档，该速度将提供更慢速/更柔和的加工模式，以达到最佳加工效果。

速度控制按钮位于“O”档时，机器电源为关闭状态，位于“I”档时，机器将以低速持续运转，位于“II”档时，机器将以高速持续运转，位于“P”档(脉冲)时，机器将持续运转至速度控制按钮释放为止。

机器清洁

开始清洁机器前，请阅读所有说明。

清洁前：请保持机器电源始终为关闭状态，并从插座中拔出电源插头。若机器无插头，请打开隔离开关，并取出所有需要清洗的可拆装部件。若机器设有立式切割/搅拌装置，请取出刮刀片和密封圈。

使用洗碗机清洁机器：所有可拆装部件均可进行机洗。

手洗：如需进行手洗，请务必使用手洗洗涤剂。

清洁材料：请使用碟刷清洗食品区，使用小杯刷清洗切割器中部的刀轴，使用湿抹布上下擦拭机器表面。

机器消毒：请使用65-70%异丙醇进行消毒。异丙醇为极易可燃物，请小心谨慎使用。

警告：

- 请勿将水倒入或喷洒至机器两侧。
- 请勿使用沸水或热水。
- 请勿使用次氯酸钠(氯)或任何含有此物质的助剂。
- 请勿使用锋利物或任何非用于清洁的物品进行清洁。
- 用研磨剂或研磨清洁产品。

注意避免：若无特别需要，请勿使用带有百洁布的清洁海绵(如Scotch-Brite™)，此类产品将导致机器表面受磨损，并减弱其防水性。

护理建议：

- 使用机器后，请立即进行清洗。
- 清洁机器后，请立即将其干燥，以避免表面氧化及褪色。

信息：若机器长时间受潮，将会出现污渍。这些污渍为无害物，但机器原表面将失去光泽。蔬菜及水果中含有酸物质。根据加工产品的不同，一段时间后，机器金属部件将受到影响。因此，在加工含盐和含酸物质的产品后，有必要立即清洁机器。

故障排除

为排除电机受损风险，CC-34型号切割器配备了电机热保护装置，若电机温度过高，该装置将自动切断机器电源。电机热保护装置已自动重设，若电机温度下降，则可重启机器，该过程通常耗时10-30分钟。

发生故障：机器无法启动或运作时发生故障停止，且无法重启。

修理：请检查电源插头是否正确插入壁式插座中，或将主电源调至“I”档。请检查保险丝盒中的保险丝(保证机器正常工作的前提)是否完好且具有适当的额定电流，检查备菜装置是否已正确安装，其手柄位置是否已降低，并检查容器及机盖是否已正确安装。请等待30分钟，并尝试重启机器。若机器仍然无法运转，请致电合格技工以修理故障。

发生故障：使用备菜装置时，机器容量过低或产生不良加工结果。

修理：请选择正确的切割工具，务必使用顶板，并检查刀片、锉刀和粉碎盘是否完好且锋利。请轻轻按压食物，使其松散开来。

发生故障：使用备菜装置时，机器容量过低或产生不良加工结果。

修理：请将食物分成大小均匀、体积更小的碎块，使其体积最大为3x3x3厘米，将其进行较短或较长时间的加工，并减少每次加工数量。请务必安装刮板机，并按需使用。

发生故障：使用备菜装置时，无法取出切割工具。

修理：请务必使用顶板、皮质厚手套或其他材质的手套，确保切割工具的刀片无法刺穿手套，并以顺时针方向旋转切割工具，将其取出。

HALLDE牌CC-34 型号切割器技术规格

容量和体积：根据不同的切割工具和食品，备菜装置每分钟最多可加工2千克食品。备菜装置体积：0.9公升。传送管直径：53毫米。切割/容器装置：容器总体积：3公升。含流动液体的容器净容积：1.4公升。

机器底座：电机：1.0千瓦单相电机，分为100-120伏，50-60赫兹和220-240伏，50/60赫兹两种。电机设有热保护装置。传动装置为免维护齿形带。安全系统：设有两个安全开关。防护等级：IP34。电源插座：10安培接地式单相电源。保险丝盒中的保险丝(保证机器正常工作的前提)：10安培延时型保险丝。声级：连接装配区(EN31201)：切割期间为76分贝，碎块期间为82分贝。磁场：小于0.1微特斯拉。

速度控制：四种速度设置(HALLDE牌四速切割器)可结合备菜装置和切割/容器装置，从而达到完美的加工效果。自动速度设置(HALLDE牌自动速度调节切割器)可用于检测是否已安装备菜装置或切割/容器装置。使用备菜装置进行切割时，若速度调节按钮位于“I”档，机器将以500转运行，位于“II”档，机器将以800转运行。使用切割/容器装置进行切割时，若速度调节按钮位于“I”档，机器将以1450转运行，位于“II”档，机器将以2650转运行，位于“P”档，机器将以2650转的脉冲模式运行。

切割工具和切割刀片：切割工具直径为185毫米，切割刀片直径为170毫米。

净重：机器底座：8.6千克。整个备菜装置(不包含切割工具)：1千克。切割工具：平均约0.3千克。整个切割装置(不包含刀片)：1.4千克。

规格/标准：符合NSF标准8，请参阅合格声明。

PŘÍRUČKY

HALLDE

CC-34

(CZ)

POZOR!

Při manipulaci s ostrými břity a pohyblivými částmi zařízení buďte velmi opatrní – zvláště na ruce.

Při přenášení zařízení vždy držte za obě madla po stranách základny zařízení.

Nikdy nestrkejte ruce do mísy, do plnicí přihrádky ani do plnicího válce nástavce pro přípravu zeleniny.

Při krájení pomocí plnicího válce nástavce pro přípravu zeleniny vždy používejte přiložený váleček.

Před čištěním zařízení vždy vypněte otočením ovladače rychlosti do polohy „0“ a odpojte jej od elektrické zásuvky, případně otevřete rozpojovací přepínač.

Když je plnicí přihrádka otevřená či zavřená, držte vždy rukojeť nástavce pro přípravu zeleniny.

Opravovat nebo otvírat tělo zařízení smí pouze kvalifikovaný servisní mechanik.

Nepoužívejte nástavec na přípravu zeleniny ke krájení zmrazených potravin. Před krájením odstraňte z potravin všechny tvrdé části (např. stopky jablek, dřevnaté součásti tuřínu atd.), aby nedošlo k poškození krájecích břitů.

Tento spotřebič by neměl být provozován dětmi nebo osobami s omezenými fyzickými, smyslovými nebo duševními schopnostmi nebo osobami, kterým chybí zkušenosti s takovým zařízením, pokud jim nejsou dány odpovídající pokyny nebo nejsou pod dohledem.

VYBALENÍ

Ujistěte se, že byly doručeny všechny části, že zařízení funguje a že během přepravy nedošlo k žádnému poškození. Jakékoli požadavky je třeba sdělit dodavateli zařízení do osmi dnů od doručení.

INSTALACE

Před instalací vyjměte břit z mísy.

Připojte zařízení k elektrické síti, jejíž specifikace jsou v souladu s informacemi na datovém štítku na zadní straně základny zařízení.

Umístěte zařízení na bytelnou lavici či stůl o výšce 650–900 mm.

Upevněte polici na krájecí nástroje a vytlačovací podnos na stěnu v blízkosti zařízení.

PŘED KAŽDÝM POUŽITÍM PROVEĎTE KONTROLU

S NÁSTAVCEM PRO PŘÍPRAVU ZELENINY:

Odpojte zástrčku od elektrické zásuvky nebo otevřete rozpojovací přepínač. Poté zkontrolujte, zda je kabel v dobrém stavu a zda není na povrchu porušen.

Odeberte nástavec pro přípravu zeleniny, všechny krájecí nástroje a vytlačovací podnos podle pokynů v části „Rozložení“ a poté zkontrolujte, zda se zařízení nezapne, když je ovladač rychlosti v poloze „II“.

Připravte zařízení podle pokynů v části „Sestavení“. Nastavte knoflík nastavení rychlosti do polohy „II“. Ujistěte se, že se zařízení zastaví, když zvednete rukojeť nástavce pro přípravu zeleniny, a že se hřídel přestane otáčet do 2 sekund. Poté zkontrolujte, zda se zařízení po sklopení rukojeti opět spustí.

Ujistěte se, že jsou gumové nožky základny zařízení pevně uchyceny na místě.

Informace o krájecích nástrojích naleznete na stranách 55.

V případě jakéhokoli problému či poruchy se obraťte na kvalifikovaného servisního mechanika s žádostí o opravu. Teprve poté začněte zařízení znovu používat.

S NÁSTAVCEM S KRÁJEČEM/MÍSOU:

Odpojte zástrčku od elektrické zásuvky nebo otevřete rozpojovací přepínač. Poté zkontrolujte, zda je kabel v dobrém stavu a zda není na povrchu porušen.

Umístěte mísu, břit a víko. Přepněte ovladač rychlosti do polohy „II“. Zkontrolujte, zda se hřídel přestane otáčet do 4 sekund od chvíle, co bylo odstraněno víko otočením nadoraz proti směru hodinových ručiček.

Odeberte víko, břit a mísu. Přepněte ovladač rychlosti do polohy „II“ a zkontrolujte, zda se zařízení nespustilo.

Ujistěte se, že jsou gumové nožky zařízení pevně uchyceny na místě.

Zkontrolujte, zda jsou břity v dobrém stavu a jsou ostré.

V případě jakéhokoli problému či poruchy se obraťte na kvalifikovaného servisního mechanika s žádostí o opravu. Teprve poté začněte zařízení znovu používat.

TYP ZPRACOVÁNÍ

S NÁSTAVCEM PRO PŘÍPRAVU ZELENINY:

Řeže, strouhá, trhá, krájí na kostičky, nudličky a vlnky různých velikostí, podle vybraného krájecího nástroje. Zpracovává zeleninu, ovoce, suchý chléb, sýr, ořechy, houby atd.

Velká plnicí přihrádka se používá hlavně pro hromadné plnění různých druhů produktů a na krájení větších produktů, jako je hlávkové zelí.

Velká plnicí přihrádka se používá rovněž v případech, že má být produkt nakrájen v určitém směru, například rajčata a citróny. Vkládejte/skládejte produkty tak, jak je ukázáno na obrázku.

Vestavěný plnicí válec slouží ke krájení dlouhých produktů, jako jsou například okurky, viz obrázek.

S NÁSTAVCEM S KRÁJEČEM/MÍSOU:

Krájí, drtí, mixuje a míchá mleté maso, aromatické máslo, dresingy, dezerty, pyré, krémy, polévky atd. Připravuje maso, ryby, ovoce, zeleninu, cibuli, petržel, ořechy, mandle, parmezán, houby, čokoládu atd.

UŽIVATELÉ

Restaurace, kuchyně v obchodech, kavárny, pekárny, dietní kuchyně, domovy pro seniory, školy, rychlá občerstvení, centra pečovatelské služby, salátové bary atd.

KAPACITA

PŘI POUŽITÍ NÁSTAVCE PRO PŘÍPRAVU ZELENINY:

Až 80 porcí za den a 2 kg za minutu.

PŘI POUŽITÍ NÁSTAVCE S KRÁJEČEM/ MÍSOU:

Množství a velikost kousků, které lze zároveň zpracovat, a doba, kterou bude zpracování trvat, závisí na konzistenci potravin a požadovaném výsledku.

Chcete-li dosáhnout rovnoměrného a dobrého výsledku u tvrdých potravin, jako je maso a sýr, je třeba tyto potraviny nejprve nakrájet na přibližně stejně velké kousky o rozměrech zhruba 3×3×3 cm.

Níže jsou uvedena doporučená maximální množství, která je možné zpracovávat najednou.

- Maso: 1 kg
- Ryby: 1 kg
- Aromatické máslo: 1 kg
- Majonéza: 1 litr
- Petržel: 1 litr

STĚRKA

NÁSTAVEC S KRÁJEČEM/MÍSOU:

Stěrku mějte nainstalovanou během všech typů zpracování, protože tři lopatky stěrky zpomalují otáčení potravin v míse a směřují potraviny do středu / krájecí oblasti mísy.

Pokud chcete snadno setřít víko i stěny mísy a vrátit potraviny za běhu zařízení zpět do krájecí oblasti, stačí zatočit rukojetí stěrky sem a tam.

SESTAVENÍ

NÁSTAVEC PRO PŘÍPRAVU ZELENINY:

Umístěte vytlačovací podnos na hřídel, otočte

vytlačovacím podnosem a zatlačte jej úplně do jeho spojky.

Poté na hřídel nasadte zvolený krájecí nástroj a otáčejte jím, až klesne do své spojky.

Během krájení na kostičky: umístěte mřížku pro krájení na kostičky ostrou hranou břitů vzhůru tak, aby prohlubeň na boku mřížky pro krájení na kostičky zapadla do vodící drážky na základně zařízení. Poté na hřídel nasadte zvolený kráječ a otáčejte jím, až klesne do své spojky.

Umístěte nástavec pro přípravu zeleniny na základnu zařízení tak, aby text „Open Close“ zaujímal s vývodem základny zařízení úhel 150 stupňů, a otočte jím nadoraz po směru hodinových ručiček, až zapadne pevně na místo.

NÁSTAVEC S KRÁJEČEM/MÍSOU:

Umístěte mísu na základnu zařízení tak, že usazovací deska mísy zapadne do otvoru v horní části základny zařízení.

Umístěte břit na hřídel, a zatímco ho budete tlačít dolů, otáčejte s ním, až klesne úplně do své spojky.

Umístěte těsnicí kroužek do drážky na vnitřní straně víka.

Chyťte střed stíracího kroužku a umístěte na něj víko.

Usadte rukojeť stěrky na víko a stírací kroužek pod ním. Otočte rukojeť stěrky ve stíracím kroužku nadoraz proti směru hodinových ručiček a všechny tři části zapadnou do sebe.

Umístěte víko na místo tak, aby text „Close Open“ zaujímal s vývodem základny zařízení úhel 150 stupňů.

Otočte víkem nadoraz po směru hodinových ručiček.

ROZLOŽENÍ

NÁSTAVEC PRO PŘÍPRAVU ZELENINY:

Otočte nástavcem pro přípravu zeleniny nadoraz proti směru hodinových ručiček, poté jej zvedněte.

Otočte krájecím nástrojem po směru hodinových ručiček a zvedněte jej.

Zvedněte mřížku pro krájení na kostičky.

Zvedněte vytlačovací podnos.

NÁSTAVEC S KRÁJEČEM/MÍSOU:

Otočte víkem nadoraz proti směru hodinových ručiček a zvedněte víko/stěrku.

Přitiskněte k sobě stírací kroužek a rukojeť stěrky, přitom otočte rukojeť stěrky nadoraz po směru hodinových ručiček a všechny tři části se od sebe oddělí.

Otočte břity nadoraz po směru hodinových ručiček, poté břit sejměte a zvedněte mísu. Pokud je obsah mísy tekutý, je třeba jej nejprve vylít a teprve poté sejmut břit.

POUŽITÍ OVLADAČE RYCHLOSTI

Pokud krájíte na plátky či na kostičky křehké potraviny, jako jsou například rajčata atd., doporučujeme nastavit ovladač rychlosti do polohy „I“, což zaručí extra pomalé/jemné zpracování a nejlepší výsledky.

Je-li ovladač rychlosti v poloze „O“, je zařízení vypnuto. Pokud je ovladač rychlosti v poloze „I“, zařízení nepřetržitě pracuje při nízké rychlosti, v poloze „II“ pracuje zařízení nepřetržitě při vysoké rychlosti. V poloze „P“ (pulz) zařízení pracuje do té doby, než uvolníte ovladač rychlosti (nástavec s kráječem/mísou).

ČIŠTĚNÍ

Před zahájením čištění zařízení si nejprve přečtěte všechny pokyny.

PŘED ČIŠTĚNÍM: Vždy zařízení vypněte a odpojte zástrčku z elektrické zásuvky. Případně, pokud zařízení není vybaveno zástrčkou, otevřete rozpojovací přepínač. Odeberte všechny odnímatelné součásti, které chcete vyčistit. Pokud je zařízení vybaveno nástavcem se svislým kráječem/mixérem, odeberte rovněž lopatky stěrky a těsnicí kroužek.

ČIŠTĚNÍ V MYČCE: Všechny odnímatelné součásti lze umývat v myčce.

RUČNÍ ČIŠTĚNÍ: Vždy použijte tekutý prostředek na mytí nádobí.

ČISTICÍ MATERIÁLY: Oblasti, které přicházejí do styku s potravinami, čistěte kartáčem na nádobí. Břitovou hřídel uprostřed lze čistit malým kartáčem na čištění lahví. Zbývající povrch zařízení otřete vlhkým hadrem.

DEZINFEKCE: Použijte izopropylalkohol (65–70%). Izopropylalkohol je vysoce hořlavý, proto prosím buďte při jeho použití velmi opatrní.

VAROVÁNÍ:

- Nenalévejte ani nestříkejte vodu na boky zařízení.
- Nepoužívejte chlornan sodný (chlór) ani jakýkoli roztok, který tuto látku obsahuje.
- Nepoužívejte ostré předměty ani žádné předměty, které nejsou určeny k čištění.
- Nepoužívejte brusné čisticí či mycí prostředky.

ČEMU SE VYHNOUT: Pokud to není absolutně nezbytné, nepoužívejte čisticí houby s hrubou stranou (např. Scotch-Brite™). Došlo by ke zhrubnutí povrchu zařízení a ten by začal být méně vodoodpudivý.

TIPY K ÚDRŽBĚ:

- Vyčistěte zařízení bezprostředně po použití.
- Ihned po čištění zařízení vysušte, abyste předešli oxidaci a zabarvení povrchu.

INFORMACE: Pokud zůstane zařízení mokré delší dobu, objeví se na něm skvrny. Tyto skvrny nejsou nijak škodlivé, ale povrch ztratí svůj původní lesk. Ovoce a zelenina

obsahují kyseliny. V závislosti na konkrétních zpracovávaných produktech se po určité, různě dlouhé době tato skutečnost projeví na kovových částech zařízení. Je proto důležité zařízení vyčistit ihned po zpracování slaných či kyselých produktů.

ODSTRAŇOVÁNÍ PROBLÉMU

V rámci ochrany motoru před poškozením je model CC-34 vybaven pojistkou chránící motor před přehřátím, která zařízení automaticky vypne ve chvíli, kdy teplota motoru vystoupá na příliš vysokou úroveň. Pojistka proti přehřátí motoru se automaticky vynuluje, což znamená, že zařízení lze znovu spustit, jakmile motor zchladne, což většinou trvá 10 až 30 minut.

PROBLÉM: Zařízení nelze spustit nebo se zastavuje a nelze jej vypnout a znovu zapnout.

ŘEŠENÍ: Ujistěte se, že je zástrčka napájení správně připojena do elektrické zásuvky, případně zkuste nastavit síťový vypínač do polohy „I“. Zkontrolujte, zda nevyhořely pojistky v pojistkové skříně a zda mají správné ampérové specifikace. Ujistěte se, že je nástavec pro přípravu zeleniny správně nasazen a že byla jeho rukojeť sklopena. Ujistěte se, zda jsou mísa a víko správně usazeny. Vyčkejte 30 minut a poté zkuste zařízení spustit znovu. Obraťte se na kvalifikovaného servisního mechanika se žádostí o pomoc.

PROBLÉM: Nízká kapacita nebo slabé výsledky zpracování při použití nástavce pro přípravu zeleniny.

ŘEŠENÍ: Vyberte správný krájecí nástroj. Vždy používejte vytlačovací podnos. Zkontrolujte, zda jsou břity a struhadla / trhací nástavce neporušené a ostré. Tlačte potraviny do zařízení menší silou.

PROBLÉM: Nízká kapacita nebo slabé výsledky zpracování při použití nástavce s kráječem/mísou.

ŘEŠENÍ: Nakrájejte potraviny na menší, přibližně stejně velké kousky o velikosti maximálně 3×3×3 cm. Zpracovávejte obsah mísy kratší – nebo naopak delší – dobu. Zpracovávejte pokaždé menší množství potravin. Mějte neustále nainstalovanou stěrku a podle potřeby ji používejte.

PROBLÉM: Při použití nástavce pro přípravu zeleniny nelze odebrat krájecí nástroj.

ŘEŠENÍ: Vždy používejte vytlačovací podnos. Nasadte si silné kožené rukavice nebo jiné rukavice, kterými krájecí nástroj nepronikne, a sejměte krájecí nástroj tak, že jím otočíte po směru hodinových ručiček.

TECHNICKÉ PARAMETRY ZAŘÍZENÍ HALLDE CC-34

KAPACITA A OBJEM: S nástavcem pro přípravu zeleniny zpracuje až 2 kg za minutu, podle typu krájecího nástroje a druhu potravin. Objem nástavce pro přípravu zeleniny: 0,9 litru. Průměr plnicího válce: 53 mm. Nástavec s kráječem/mísou: hrubý objem mísy: 3 litry.

Čistý objem mísy s volně proudící kapalinou:
1,4 litrů.

ZÁKLADNA ZAŘÍZENÍ: Motor: 1,0 kW.
100–120 V, jednofázový, 50–60 Hz. 220-240
V, jednofázový, 50/60 Hz. Pojistka proti přehřátí
motoru. Převod: bezúdržbový ozubený řemen.
Bezpečnostní systém: Dva bezpečnostní
přepínače. Stupeň ochrany: IP34. Napájecí
konektor: Uzemněný, jednofázový, 10 A.
Pojistka v pojistkové skříni v pracovních
prostorách: 10 A, zpožděná. Úroveň zvuku:
LpA (EN31201): 76 dBA během krájení a 82
dBA během sekání. Magnetické pole: Méně
než 0,1 µT.

OVLÁDACÍ PRVKY A RYCHLOSTI: Čtyři
rychlosti (technologie HALLDE 4-Speed) pro
dokonalé výsledky zpracování ve spojení s
nástavcem pro přípravu zeleniny i s nástavcem
s kráječem/mísou. Nastavení automatické
rychlosti (technologie HALLDE Auto-Speed),
jež pozná, kdy je nasazen nástavec pro
přípravu zeleniny nebo nástavec s kráječem/
mísou. Během krájení s nástavcem pro
přípravu zeleniny je rychlost zařízení 500 ot./
min. v poloze „I“ a 800 ot./min. v poloze „II“,
zatímco při použití nástavce s kráječem/mísou
je rychlost 1 450 ot./min. v poloze „I“ a 2 650
ot./min. v poloze „II“. Při použití funkce pulzu
pracuje zařízení v poloze „P“ rychlostí 2 650
ot./min. s nástavcem s kráječem/mísou.

KRÁJECÍ NÁSTROJE A ŘEZACÍ BŘIT: Průměr
krájecích nástrojů je 185 mm. Průměr řezacího
břitu je 170 mm.

ČISTÁ HMOTNOST: Základna zařízení: 8,6
kg. Kompletní nástavec pro přípravu zeleniny
bez krájecích nástrojů: 1 kg. Krájecí nástroje:
průměrně přibl. 0,3 kg. Komplet nástavce pro
rychlé krájení, bez břitu: 1,4 kg.

NORMY/STANDARDY: NSF STANDARD 8,
viz prohlášení o shodě.

BEDIENUNGSANLEITUNG

HÄLLDE CC-34

(DE)

WARNUNG!

Achten Sie darauf, dass Sie sich insbesondere Ihre Hände nicht an den scharfen Messern oder an beweglichen Teilen verletzen.

Die Maschine stets an den beiden Handgriffen tragen, die seitlich am Maschinenunterteil angebracht sind.

Niemals die Hände in den Behälter, in das große Einfüllfach oder in das Einfüllrohr für die Gemüseschneidevorrichtung stecken.

Stets den Stößel während des Schneidens zusammen mit dem Einfüllrohr für die Gemüseschneidevorrichtung verwenden.

Vor der Reinigung der Maschine stets den Drehzahlregler in die Position O bringen und anschließend den Netzstecker aus der Steckdose ziehen oder den Trennschalter in die Aus-Stellung bringen, um die Maschine abzuschalten.

Zum Öffnen oder Schließen des Einfüllfachs stets den Handgriff der Gemüseschneidevorrichtung verwenden.

Nur eine autorisierte Fachkraft darf die Maschine reparieren und das Maschinengehäuse öffnen.

Die Gemüseschneidevorrichtung nicht für das Schneiden von Gefriergut verwendet. Alle harten Obst- oder Gemüseteile wie Apfelstiele, holzige Rübenteile u. ä. müssen vor der Benutzung entfernt werden, damit sie die Schnittkante nicht beschädigen.

Das Gerät darf nicht von Kindern oder Personen benutzt werden, deren körperliche, sensorische oder geistige Fähigkeiten eingeschränkt sind. Personen, die keine Erfahrung mit solchen Geräten haben, dürfen sie nur nach hinreichender Einweisung oder unter Aufsicht benutzen.

AUSPACKEN

Kontrollieren Sie, ob alle Teile vorhanden sind, ob die Maschine funktioniert und ob kein Transportschaden vorliegt. Reklamationen sind dem Maschinenlieferanten innerhalb von acht Tagen nach der Lieferung zu melden.

INSTALLATION

Vor der Installation das Messer aus dem Behälter entfernen.

Schließen Sie die Maschine an eine Spannungsquelle an, die den Angaben auf dem

Typenschild auf der Rückseite des Maschinenunterteils entspricht.

Stellen Sie die Maschine auf eine stabile Arbeitsfläche oder einen stabilen Tisch von 650 bis 900 mm Höhe.

Montieren Sie das Wandgestell für die Schneidewerkzeuge und die Auswurfscheibe an einer Wand in der Nähe der Maschine.

SICHERHEITSKONTROLLE VOR DER ARBEIT

MIT DER GEMÜSESCHNEIDEVORRICHTUNG:

Ziehen Sie den Netzstecker aus der Steckdose oder stellen Sie den Trennschalter auf AUS und kontrollieren Sie anschließend, ob das Stromkabel in gutem Zustand ist und keine Bruchstellen aufweist.

Entfernen Sie die Gemüseschneidevorrichtung, etwaige Schneidewerkzeuge und die Auswurfscheibe gemäß den Anweisungen im Abschnitt „Demontage“ und überzeugen Sie sich anschließend davon, dass die Maschine nicht anläuft, wenn der Drehzahlregler in die Position II gebracht wird.

Bestücken Sie die Maschine in Übereinstimmung mit den Anweisungen unter der Überschrift „Zusammenbau“. Setzen Sie den Drehzahlregler auf die Position II. Überprüfen, dass die Maschine anhält, wenn der Handgriff der Gemüseschneidevorrichtung hochgestellt wird, und dass die Achse/Welle innerhalb von 2 Sekunden aufhört sich zu drehen. Dann überprüfen, ob die Maschine erneut anspringt, wenn der Griff gesenkt wird.

Überprüfen, ob die GummifüÙe der Maschine ordentlich in ihrer Position fixiert sind.

Bezüglich der Schneidewerkzeuge siehe die Seiten 55.

Im Falle eines Fehlers oder einer Fehlfunktion ist ein Fachmann zur Fehlerbehebung hinzuzuziehen, bevor die Maschine in Betrieb genommen wird.

MIT DEM SCHNEIDER/BEHÄLTER- BEREICH:

Ziehen Sie den Netzstecker aus der Steckdose oder stellen Sie den Trennschalter auf AUS und kontrollieren Sie anschließend, ob das Stromkabel in gutem Zustand ist und keine Bruchstellen aufweist.

Setzen Sie den Behälter, das Messer und den Deckel korrekt auf. Stellen Sie den Drehzahlregler auf die Position II und kontrollieren Sie, ob die Welle innerhalb von 4 Sekunden, nachdem der Deckel angehoben und bis zum Anschlag gegen den Uhrzeigersinn gedreht wurde, aufhört, sich zu drehen.

Den Deckel, das Messer und den Behälter entfernen. Stellen Sie den Drehzahlregler auf die Position II und kontrollieren Sie, dass die Maschine nicht anläuft.

Überprüfen, ob die GummifüÙe der Maschine ordentlich in ihrer Position fixiert sind.

Überprüfen des Zustands und der Schärfe der Messer.

Im Falle eines Fehlers oder einer Fehlfunktion ist ein Fachmann zur Fehlerbehebung hinzuzuziehen, bevor die Maschine in Betrieb genommen wird.

VERARBEITUNGSART

MIT DER GEMÜSESCHNEIDEVORRICHTUNG:

Schneidet in Scheiben, würfelt, reibt, zerkleinert, schneidet in Streifen und im Kräuselschnitt in verschiedenen Dimensionen und abhängig vom gewählten Schneidewerkzeug. Verarbeitet Gemüse, Obst, trockenes Brot, Käse, Nüsse, Pilze usw.

Das große Einfüllfach wird hauptsächlich für die umfangreiche Befüllung von allen möglichen Produkten sowie für das Schneiden großer Produkte wie Kohl verwendet.

Des Weiteren wird das große Füllfach verwendet, wenn das Material, beispielsweise Tomaten und Zitronen, in einer bestimmten Richtung geschnitten werden soll. Dazu sind die Produkte wie auf der Abbildung dargestellt anzuordnen bzw. zu stapeln.

Das Einfüllrohr wird zum Schneiden langer Produkte wie beispielsweise Gurken verwendet, siehe die Abbildung.

MIT DEM SCHNEIDER/BEHÄLTER- BEREICH:

Schneidet, hackt, mixt und mischt Hackfleisch, Aromabutter, Dressings, Nachspeisen, Püree, Pastete, Suppen usw. Bereitet Fleisch, Fisch, Obst, Gemüse, Zwiebeln, Petersilie, Nüsse, Mandeln, Parmesan, Pilze, Schokolade usw. vor.

ANWENDER

Restaurants, Ladenküchen, Cafés, Bäckereien, Diätküchen, Seniorenwohnheime, Schulen, Fast-Food-Einrichtungen, Kindertagesstätten, Salatbars usw.

KAPAZITÄT

WENN SIE DIE GEMÜSESCHNEIDEVORRICHTUNG VERWENDEN

Bis zu 80 Portionen täglich und 2 kg per Minute.

WENN SIE DEN SCHNEIDER/BEHÄLTER- BEREICH VERWENDEN

Die Menge und die Größe der Stücke, die zugleich verarbeitet werden können, sowie die benötigte Zeit für die Verarbeitung hängen von der Zusammensetzung der Lebensmittel und dem angestrebten Ergebnis ab.

Um konstant gute Ergebnisse zu erzielen, sollten festere Nahrungsmittel wie beispielsweise Fleisch, Käse usw. zunächst in Stücke von etwa gleicher Größe geschnitten werden, die maximal 3x3x3 cm groß sein sollten.

Die empfohlene Höchstmenge, welche die Maschine zu einer Zeit verarbeiten sollte, ist die folgende:

- Fleisch: 1 kg
- Fisch: 1 kg
- Aromabutter: 1 kg
- Mayonnaise: 1 Liter
- Petersilie: 1 Liter

DER ABSTREICHER

SCHNEIDER/BEHÄLTER-BEREICH:

Lassen Sie den Abstreicher während aller Arten der Verarbeitung stets eingebaut, denn die drei Klingen des Abstreifers bremsen die Rotation der Lebensmittel im Behälter ab und lenken sie in das Zentrum, in die Schneidezzone des Behälters.

Wenn Sie den Handgriff des Abstreicher hin und her drehen, während die Maschine in Betrieb ist, können der Deckel und die Wände des Behälters problemlos abgeschabt werden und die Lebensmittel können zur Schneidezzone zurück gelenkt werden.

ZUSAMMENBAU

DIE GEMÜSESCHNEIDEVORRICHTUNG:

Platzieren Sie die Auswurfscheibe auf der Welle, drehen Sie die Auswurfscheibe und drücken Sie diese in ihre Kupplung, bis sie einrastet.

Dann platzieren Sie das gewünschte Schneidewerkzeug auf der Welle und drehen es, bis es vollständig in seine Kupplung fällt.

Beim Würfeln: Setzen Sie das Würfelgatter mit der scharfen Kante der Messer nach oben zeigend ein, so dass der Führungsansatz im Maschinenunterteil in die Aussparung seitlich am Würfelgatter eingeführt wird. Dann platzieren Sie den Schneider auf der Welle und drehen ihn, bis er vollständig in seine Kupplung fällt.

Setzen Sie die Gemüseschneidevorrichtung so auf das Maschinenunterteil, dass der Text „Schließen Öffnen“ sich in Bezug auf den Auslass des Maschinenunterteils in der 5-Uhr-Position befindet. Drehen Sie die Gemüseschneidevorrichtung anschließend bis zum Anschlag im Uhrzeigersinn und überzeugen Sie sich davon, dass sie fest sitzt.

DER SCHNEIDER/BEHÄLTER-BEREICH:

Setzen Sie den Behälter so auf das Maschinenunterteil, dass der Führungsansatz in die Aussparung an der Oberseite des Maschinenunterteils eingeführt wird.

Setzen Sie das Messer auf die Welle. Drehen Sie das Messer und drücken Sie es gleichzeitig nach unten, dass es vollständig in seine Kupplung fällt.

Setzen Sie den Dichtungsring in die Nut auf der Innenseite des Deckels.

Fassen Sie die Mitte des Abstreicherrings, und

setzen Sie den Deckel auf den Abstreicherring.

Setzen Sie den Abstreicher-Handgriff auf den Deckel, und drücken Sie den Abstreicherring und den Abstreicher-Handgriff zusammen. Drehen Sie gleichzeitig den Abstreicher-Handgriff gegen den Uhrzeigersinn bis zum Anschlag, damit die drei Teile zusammengebracht werden.

Setzen Sie den Deckel so auf den Behälter, dass der Text „Schließen Öffnen“ sich in Bezug auf den Auslass des Maschinenunterteils in der 5-Uhr-Position befindet.

Den Deckel bis zum Anschlag im Uhrzeigersinn drehen.

DEMONTAGE

DIE GEMÜSESCHNEIDEVORRICHTUNG:

Drehen Sie die Gemüseschneidevorrichtung so weit als möglich entgegen den Uhrzeigersinn und dann heben Sie sie heraus.

Drehen Sie das Schneidewerkzeug im Uhrzeigersinn und heben Sie es ab.

Heben Sie das Würfelgatter ab.

Heben Sie die Auswurfscheibe ab.

DER SCHNEIDER/BEHÄLTER-BEREICH:

Drehen Sie den Deckel bis zum Anschlag gegen den Uhrzeigersinn und heben Sie den Deckel/Abstreifer ab.

Drücken Sie den Abstreicherring und den Abstreicher-Handgriff zusammen, drehen Sie gleichzeitig den Abstreicher-Handgriff bis zum Anschlag im Uhrzeigersinn und trennen Sie die drei Teile.

Drehen Sie das Messer bis zum Anschlag im Uhrzeigersinn, entfernen Sie das Messer, und heben Sie den Behälter heraus. Wenn der Behälterinhalt flüssig ist, sollte der Behälter geleert werden, bevor das Messer entfernt wird.

VERWENDUNG DES DREHZAHLEGLERS

Beim Würfeln und Scheibenschneiden von empfindlichen Produkten wie beispielsweise Tomaten sollte der Drehzahlregler in die Position I gestellt werden, um eine sehr langsame/schonende Verarbeitung und optimale Ergebnisse zu erzielen.

Wenn sich der Drehzahlregler in der Position O befindet, ist die Maschine ausgeschaltet. In der Position I läuft die Maschine kontinuierlich bei niedriger Geschwindigkeit und in der Position II beständig bei hoher Geschwindigkeit. In der Position P (Puls) operiert die Maschine bis der Drehzahlregler losgelassen wird (Schneider/Behälter-Bereich).

REINIGUNG

Lesen Sie die gesamte Anleitung vor Beginn der Reinigung.

VOR DER REINIGUNG: Schalten Sie die Maschine immer ab, und ziehen Sie den Netzstecker aus der Steckdose. Sollte die Maschine keinen Netzstecker haben, stellen Sie den Trennschalter auf AUS. Sämtliche abnehmbaren Teile entfernen, die gereinigt werden sollen. Ist die Maschine mit einem vertikalen Schneider/Mixer-Bereich ausgestattet, entfernen Sie auch die Klingen des Abstreifers und den Dichtungsring.

REINIGUNG IN DER SPÜLMASCHINE: Sämtliche abnehmbaren Teile können in der Spülmaschine gewaschen werden.

HANDWÄSCHE: Stets Handgeschirrspülmittel für die Handwäsche verwenden.

REINIGUNGSMATERIALIEN: Eine Geschirrbürste für die Reinigung des Lebensmittelbereichs verwenden. Die Messerwelle in der Mitte der Maschine kann mit einer kleinen Flaschenbürste gereinigt werden. Ein feuchtes Tuch für das Abwischen der anderen Oberflächen der Maschine verwenden.

DESINFIZIERUNG: Isopropylalkohol (65–70%) verwenden. Isopropylalkohol ist leicht entflammbar, also Vorsicht bei der Verwendung.

WARNUNG:

- Kein Wasser auf die Seiten der Maschine gießen oder sprühen.
- Kein Natriumhypochlorit (Chlor) oder irgendein anderes Mittel verwenden, das diese Substanz enthält.
- Keine scharfen Gegenstände für die Reinigung verwenden oder andere Dinge, die nicht für den Zweck der Reinigung vorgesehen sind.
- Keine aggressiven Reinigungsmittel oder Reinigungsprodukte verwenden.

VERMEIDEN: Keine Reinigungsschwämme mit Scheuerflächen (z.B. Scotch-Brite™) verwenden, wenn nicht absolut notwendig. Diese rauhen die Oberfläche an und machen sie weniger wasserabweisend.

PFLEGEHINWEISE:

- Die Maschine unmittelbar nach Gebrauch reinigen.
- Die Maschine unmittelbar nach der Reinigung trocknen, um die Oxidierung oder die Entfärbung der Oberfläche zu vermeiden.

INFORMATION: Wird die Maschine für eine längere Zeit in einem feuchten Zustand belassen, erscheinen Flecken. Diese Flecken sind harmlos, aber die Originaloberfläche wird ihren Glanz verlieren. Obst und Gemüse enthalten Säuren. Abhängig davon, welche Produkte verarbeitet werden, wird dies zu Auswirkungen auf das Metall nach einem unterschiedlichen Zeitraum führen. Es ist deshalb wichtig, die Maschine unmittelbar nach der Verarbeitung von salzhaltigen oder säurehaltigen Produkten zu reinigen.

FEHLERSUCHE

Zur Eliminierung des Risikos von Motorschäden ist der CC-34 mit einem thermischen Motorschutz ausgestattet, welcher die Maschine automatisch bei zu hoher Motortemperatur abschaltet. Der thermische Motorschutz hat eine Rücksetzautomatik, was bedeutet, dass die Maschine erst dann wieder gestartet werden kann, wenn sich der Motor abgekühlt hat. Dieses nimmt normalerweise zwischen 10 und 30 Minuten in Anspruch.

FEHLER: Die Maschine läuft nicht an oder schaltet sich während des Betriebes aus und lässt sich nicht wieder einschalten.

MASSNAHMEN: Kontrollieren Sie, ob der Netzstecker korrekt in die Steckdose eingesteckt ist, oder stellen Sie den Hauptschalter in die Position I. Prüfen Sie die Sicherungen im Sicherungskasten für den betreffenden Raum auf einen möglichen Defekt und die richtige Amperezahl hin. Prüfen Sie, ob die Gemüseschneidevorrichtung korrekt installiert wurde und dass der Handgriff der Gemüseschneidevorrichtung abgesenkt wurde. Überprüfen, ob Behälter und Deckel korrekt angebracht sind. Bis zu 30 Minuten warten und dann erneut versuchen, die Maschine zu starten. Bei Bedarf Fachmann zur Fehlerbehebung hinzuziehen.

FEHLER: Geringe Kapazität oder schlechte Verarbeitungsergebnisse bei Verwendung der Gemüseschneidevorrichtung.

MASSNAHMEN: Verwenden Sie das richtige Schneidewerkzeug. Verwenden Sie stets die Auswurfplatte. Überzeugen Sie sich außerdem davon, dass die Messer und die Reibe/Häckslerplatten unbeschädigt und scharf sind. Die Lebensmittel vorsichtig mit weniger Kraft herunter drücken.

FEHLER: Geringe Kapazität oder schlechte Verarbeitungsergebnisse bei Verwendung des Schneide/Behälter-Bereichs.

MASSNAHMEN: Zerteilen Sie die Produkte in kleinere, gleichgroße Stücke von maximal 3x3x3 cm Größe. Führen Sie die Verarbeitung während kürzerer oder längerer Zeit durch. Kleinere Menge zu einer Zeit verarbeiten. Den Abstreifer stets eingebaut lassen und so verwenden, wie dies nötig ist.

FEHLER: Das Schneidewerkzeug lässt sich bei Verwendung der Gemüseschneidevorrichtung nicht entfernen.

MASSNAHMEN: Verwenden Sie stets die Auswurfplatte. Verwenden Sie einen dicken Lederhandschuh oder einen anderen Handschuh, den die Klängen des Schneidewerkzeugs nicht durchschneiden können, und entfernen Sie das Schneidewerkzeug, indem Sie es im Uhrzeigersinn drehen.

TECHNISCHE DATEN HÄLLDE CC-34

KAPAZITÄT UND VOLUMEN: Je nach Art des Schneidewerkzeugs und der Produkte kann die Verarbeitung von bis zu 2 kg pro Minute mit der Gemüseschneidevorrichtung erfolgen. Volumen der Gemüseschneidevorrichtung: 0,9 Liter. Durchmesser des Einfüllrohrs: 53 mm. Schneider/Behälter-Bereich: Bruttovolumen des Behälters: 3 Liter. Nettovolumen des Behälters für frei fließende Flüssigkeiten: 1,4 Liter.

MASCHINENUNTERTEIL: Motor: 1,0 kW. 100-120 V, 1-Phasenstrom, 50-60 Hz, 220-240 V, 1-Phasenstrom, 50/60 Hz. Thermischer Motorschutz. Kraftübertragung: Zahnriemen. Sicherheitssystem: Zwei Sicherheitsschalter. Schutzart: IP34. Netzanschluss: Geerdet, einphasig, 10 A. Sicherung in Sicherungskasten für den betreffenden Raum: 10 A, träge. Geräuschpegel: LpA (EN31201): 76 dBA beim Schneiden und 82 dBA beim Hacken. Magnetfeld: Kleiner als 0,1 Mikrottesla.

GESCHWINDIGKEITSREGELUNG: Vier Geschwindigkeiten (HÄLLDE 4-SPEED) für perfekte Verarbeitungsergebnisse in Verbindung mit der Gemüseschneidevorrichtung und dem Schneider/Behälter-Bereich. Die Automatische Drehzahleinstellung (HÄLLDE AUTO-SPEED) erkennt, ob die Gemüseschneidevorrichtung oder der Schneider/Behälter verwendet wird. Beim Schneiden mit der Gemüseschneidevorrichtung arbeitet die Maschine mit etwa 500 U/min in der Position I und mit etwa 800 U/min in der Position II, beim Hacken mit dem Schneider/Behälter-Bereich mit etwa 1450 U/min in der Position I und mit etwa 2650 U/min in der Position II. Die Puls-Funktion operiert mit 2650 U/min während des Schneidens mit dem Schneider/Behälter-Bereich in Position P.

SCHNEIDWERKZEUGE UND HACKMESSER: Der Durchmesser der Schneidewerkzeuge beträgt 185 mm, der Durchmesser des Hackmessers ist 170 mm.

NETTOGEWICHTE: Maschinenunterteil: 8,6 kg. Gemüseschneidevorrichtung komplett, jedoch ohne Schneidewerkzeuge: 1 kg. Schneidewerkzeuge: durchschnittlich etwa 0,3 kg. Schnellhackvorrichtung komplett, jedoch ohne Messer: 1,4 kg.

NORMEN/STANDARDS: NSF STANDARD 8, siehe die Konformitätserklärung.

BRUGSANVISNING

HÄLLDE CC-34

(DK)

ADVARSEL!

Pas på, at hænderne ikke kommer i kontakt med skarpe knive og bevægelige dele.

Bær altid maskinen i de to håndtag på siden.

Stik aldrig hænderne ned i skålen, grøntsagsforsatsen eller påfyldningsrøret på grøntsagsforsatsen.

Brug altid stopperen under skæring med grøntsagsforsatsens påfyldningsrør.

Sluk altid for maskinen før rengøring, ved at stille omskifteren i position „0“, og træk derefter stikket ud af stikkontakten eller sluk alternativt afbryderen inden rengøring.

Hold altid fast i grøntsagsforsatsens håndtag, når påfyldningsdelen skal åbnes eller lukkes.

Kun en autoriseret fagmand må reparere maskinen og åbne maskinhuset.

Grøntsagsforsatsen må ikke anvendes til frosne råvarer. Alle hårde dele skal også fjernes fra råvarerne (æblestilke, seje kålroedele o.l.), så de ikke beskadiger skæret.

Apparatet må ikke betjenes af børn eller af personer med nedsatte fysiske, sensoriske eller mentale evner eller af personer, der mangler erfaring med sådanne anordninger med mindre de får tilstrækkelig instruktion eller tilsyn.

UDPAKNING

Kontrollér, at alle dele er der, at maskinen fungerer, og at intet er beskadiget under transporten.

Evt. reklamation skal ske til maskinleverandøren senest 8 dage efter levering.

INSTALLATION

Fjern kniven fra skålen før installation.

Tilslut maskinen til en forsyningsspænding som svarer til den angivne på typeskiltet, bagpå maskinen.

Placer maskinen på en stabil disk eller et bord, med en højde på 650-900 mm.

Monter stativet til skæreværktøj og tømme-skive, på væggen, tæt ved maskinen.

KONTROLLER ALTID FØR BRUG

MED GRØNTSAGSSKÆRER:

Træk stikket ud af kontakten eller sluk for

afbryderen og kontroller derefter at elkablet ikke har nogen synlige skader.

Afmonter grøntsagsskærer, eventuelt skæreværktøj samt tømme-skive, se "Demontering", og kontroller derefter at maskinen ikke starter når hastighedsregulatoren sættes på "II".

Monter maskinen som beskrevet under "Montering". Sæt hastighedsregulatoren på "II". Kontroller derefter at maskinen stopper når grøntsagsskærerens håndtag hæves og at akslen stopper indenfor 2 sekunder. Kontroller derefter at maskinen genstarter når håndtaget sænkes igen.

At maskinens gummifødder er fast tilspændte.

Skæreværktøj, se side 55.

Ved fejlfunktion skal der tilkaldes en autoriseret fagmand, før maskinen tages i brug.

MED HURTIGHAKKER:

Træk stikket ud af kontakten eller sluk for afbryderen og kontroller derefter at elkablet ikke har nogen synlige skader.

Monter skål, kniv og låg. Indstil hastighedsregulatoren på "II" og kontroller at akslen stopper indenfor 4 sekunder, efter at låget er fjernet, ved at dreje det helt om mod uret.

Fjern skål, kniv og låg. Drej hastighedsregulatoren om på "II" og kontroller at maskinen ikke starter.

Kontroller at maskinens gummifødder er fast tilspændte.

Kontroller at knivene er hele og skarpe.

Ved fejlfunktion skal der tilkaldes en autoriseret fagmand, før maskinen tages i brug.

ANVENDELSE

MED GRØNTSAGSSKÆRER:

Skiver, tern, strimler, river og riller i forskellige dimensioner, afhængigt af det valgte skæreværktøj. Tilbereder grøntsager, frugt, tørt brød, ost, nødder, svampe o.l.

Den store påfyldningsskål anvendes først og fremmest til bulkføddning af alle typer produkter (billede), samt til skæring af større produkter, såsom kål.

Den store påfyldningsskål anvendes også når produktet ønskes skåret på en bestemt led, f.eks. tomat og citron. Placer/stabel produktet som vist på billedet.

Det indbyggede føderør bruges til at skære skiver af lange produkter, som f.eks. agurker, se billede.

MED HURTIGHAKKER:

Hakker, findeler, mikser og blander fars, kryddersmør, dressing, dessert, puré, paté, supper etc. Tilbereder kød, fisk, frugt, grøntsager, løg, persille, nødder, mandel, parmesan, svampe, chokolade, etc.

BRUGERE

Restauranter, caféer, bagerier, butikskøkkener, diætkøkkener, plejehjem, skoler, daginstitutioner, salatbarer etc.

KAPACITET

VED BRUG AF GRØNTSAGSSKÆRER:

Op til 80 portioner pr. dag og 2 kg pr. minut.

VED BRUG AF HURTIGHAKKER:

Hvor stor mængde og hvor store stykker der kan behandles pr. gang, samt hvilken behandlings-tid der kræves, afhænger af produktets konsistens og på det ønskede resultat.

For et ensartet og godt resultat bør faste produkter, såsom kød, ost o.l. først deles i lige store stykker, ikke større end ca 3x3x3 cm.

Nedenstående liste angiver de maksimale mængder der bør behandles pr. gang.

- Kød: 1 kg
- Fisk: 1 kg
- Kryddersmør: 1 kg
- Majonæse: 1 liter
- Persille: 1 liter

SKRABEREN

HURTIGHAKKER:

Hav altid skraberens håndtag monteret under tilberedning, da denne bremser produktets rotation i skålen og styrer det ind mod midten af skålen/knivzonen.

Ved at føre skraberens håndtag frem og tilbage, skrubes låg og sider af og produktet føres frem mod kniven, mens maskinen kører.

MONTERING

AF GRØNTSAGSSKÆRER:

Placer tømme-skiven på akslen og drej/tryk den ned i koblingen.

Placer derefter det valgte skæreværktøj på akslen og drej det så det falder ned i koblingen.

Ved terning: placer terningsgitteret med den skarpe kant af knivene opad, således at styresporet i siden af gitteret passer ind i styresporet på maskinbasen. Placer derefter kniven på akslen, så den falder ned i koblingen.

Placer grøntsagsskæreren på maskinbasen så teksten "Close Open" er placeret kl. 5 set fra afgang og tryk den derefter med uret til stop.

AF HURTIGHAKKER:

Placer skålen på maskinbasen således at styrepladen på skålen føres ind i sporet, øverst på maskinbasen.

Placer kniven på akslen og drej og tryk samtidigt kniven nedad, så den falder helt ned i koblingen.

Indsæt tætningsringen i sporet på låget.

Tag fat i skraberens centrum og placer låget på skraberens centrum.

Placer skraberhåndtaget ovenpå låget og skraberringen nedenunder. Drej skraberhåndtaget mod uret til stop i skraberringen. De tre dele er nu samlet.

Placer låget på skålen så teksten "Close Open" er placeret kl. 5 set fra afgang.

Drej låget med uret til stop.

DEMONTERING

AF GRØNTSAGSSKÆRER:

Drej grøntsagsskæreren mod uret til stop og løft den af.

Drej skæreværktøjet med uret og løft det af.

Fjern ternerristen.

Løft tømmebakken ud.

AF HURTIGHAKKER:

Drej låget mod uret til stop og fjern låget/skraberen.

Tryk skraberring og skraberhåndtag sammen og drej samtidigt håndtaget med uret til stop, adskil de tre dele.

Drej kniven med uret til stop og fjern kniv og skål.

Hvis indholdet i skålen er flydende, bør skålen tømmes før kniven afmonteres.

HASTIGHEDSREGULERING

Ved terningsskæring og skivning af alle produkter, såsom tomat o.l. anbefales det at stille hastigheden på "I", for ekstra langsom/skånsom behandling og bedste resultat.

Med regulatoren i stilling "0" er maskinen afbrudt. I stilling "I" kører maskinen kontinuerligt på lav hastighed og i stilling "II" kontinuerligt på høj hastighed. I stilling "P" (puls) kører maskinen til knappen slippes (hurtighakker).

RENGØRING

Læs hele instruktionen før du begynder at rengøre maskinen.

INDEN RENGØRING: Sluk maskinen og tag stikket ud af kontakten eller sluk afbryderen. Fjern alle løse dele som skal rengøres. Husk også at fjerne skraberblade og tætningsringe, hvis maskinen er udstyret med hurtighakker.

MASKINOPVASK: samtlige aftagelige kan vaskes i en opvaskemaskine.

HÅNDOPVASK: Brug altid håndopvaskemiddel.

RENGØRINGSVÆRKTØJ: Brug en opvaskebørste til rengøring af produktområderne. Knivakslen i midten af maskinen kan med fordel rengøres med en lille flad børste. Aftør maskinens udvendige falder med en fugtig klud.

DESINFEKTION: Brug Isopropanol (65-70%). Isopropanol er let antændeligt, vær derfor forsigtig.

ADVARSEL:

- Hæld eller sprøjt aldrig vand på maskinens sider.
- Brug aldrig klorholdige produkter til rengøringen.
- Brug aldrig skarpe genstande eller genstande ikke egnede til rengøring.
- Brug aldrig rengøringsmidler med slibende effekt.

UNDGÅ: Brug ikke rengøringssvampe som f.eks. Scotch Brite™, medmindre dette er absolut nødvendigt. Disse gør overfladen mere ru og dermed mindre vandafvisende.

PLEJE:

- Rengør maskinen omgående efter brug.
- Tør maskinen omgående efter rengøring, for at undgå oxidering og misfarvninger på ydersiden.

Hvis maskinen efterlades fugtig i længere tid, kan der opstå pletter. Disse pletter er harmløse, men pynter ikke på overfladen. Grøntsager og frugt indeholder syrer. Afhængigt af hvilke produkter der er tale om, vil disse påvirke metallet efter forskellige tidsintervaller. Det er derfor vigtigt at rengøre maskinen direkte efter behandling af salte og sure produkter.

FEJLSØGNING

For at fjerne risikoen for skader på motoren, er CC-34 udstyret med en termosikring, som automatisk afbryder maskinen, hvis motoren bliver for varm. Termosikringen har automatisk reset, hvilket betyder at maskinen kan startes igen efter 10 til 30 minutters afkøling.

FEJL: Maskinen starter ikke eller går i stå under drift og kan ikke genstartes.

AFHJÆLPNING: Kontroller at stikket er sat i kontakten. Kontroller at sikringerne på forsyningen er i orden. Kontroller at grøntsagsskæreren er monteret korrekt og at håndtaget er nedfældet. Kontroller at skål og låg er monteret korrekt. Drej hastighedsregulatoren om på "0" og vent i nogle minutter, forsøg derefter at genstarte maskinen. Hjælper dette ikke, tilkald da en autoriseret fagmand.

FEJL: Lav kapacitet eller dårligt resultat med grøntsagsskæreren.

AFHJÆLPNING: Vælg korrekt skæreværktøj. Brug altid tømmebakken. Kontroller at knive og rivejern er hele og skarpe. Tryk produktet ned med et lettere tryk.

FEJL: Lav kapacitet eller dårligt resultat med hurtighakkeren.

AFHJÆLPNING: Fordel produktet i mindre lige store stykker på max. 3x3x3 cm. Behandl i kortere eller længere tid. Behandl mindre portioner pr. gang. Hav altid skraber monteret og brug den efter behov.

FEJL: Skæreværktøjet kan ikke fjernes ved brug af grøntsagsskæreren.

AFHJÆLPNING: Brug altid tømmebakken. Brug en tyk skindhandske o.l. som knivene ikke kan skære igennem og drej skæreværktøjet løs, med uret.

TEKNISK DATA HALLDE CC-34

KAPACITET OG VOLUMEN: Tilbereder op til 2 kg pr. minut med grøntsagsskæreren afhængigt af det valgte skæreværktøj og råvarerne. Grøntsagsskærers volumen: 0,9 liter. Føderørets diameter: 53 mm. Hurtighakker: Skålens bruttovolumen: 3 liter. Skålens nettovolumen letflydende væske 1,4 liter.

MASKINBASE: Motor: 1,0 kW. 100-120 V, 1-faset, 50-60 Hz. 220-240 V, 1-faset, 50/60 Hz. Termosikring. Transmission: vedligeholdelsesfri tandrem. Sikkerhedssystem: to sikkerhedsafbrydere. Kapslingsklasse: IP34. Vægudtag: jordet, 1-faset, 10 A. Anlægsikring: 10 A, træg. Støjniveau LpA (EN31201): 76 dBA ved skæring og 82 dBA ved hakning. Magnetfelt: mindre end 0,1 mikrotesla.

REGULERING OG HASTIGHEDER: Fire hastigheder (HALLDE 4-Speed) for perfekt tiltilberedningsresultat ved anvendelse af både grøntsagsskæreren og hurtighakker. Automatisk hastighedsinstilling (HALLDE Auto-Speed) som registrerer om der er monteret grøntsagsskæreren eller hurtighakker. Ved skæring med grøntsagsskæreren ca 500 o/min i stilling "I" og ca 800 o/min i stilling "II", samt ved hakning med hurtighakker ca 1450 o/min i stilling "I" og ca 2650 o/min i stilling "II". Pulsfunktion ved tilberedning med hurtighakker har en hastighed på 2650 o/min i stilling "P".

SKÆREVÆRKTØJ OG HAKKEKNIV: Skæreværktøjets diameter: 185 mm. Hakkeknivens diameter: 170 mm.

NETTOVÆGT: Maskinbase: 8,6 kg. Grøntsagsskæreren komplet eksklusiv skæreværktøj: 1 kg. Skæreværktøj: ca 0,3 kg i gennemsnit. Hurtighakker komplet inklusiv kniv: 1,4 kg.

NORMER: NSF STANDARD 8, se konformitetserklæring

INSTRUCCIONES DE USO

HALLDE CC-34

(ES)

¡ATENCIÓN!

Tenga mucho cuidado, especialmente con las manos, al tocar las cuchillas afiladas y los elementos móviles.

Para trasladar el aparato, utilice siempre las dos empuñaduras situadas en los laterales de la base.

Nunca ponga las manos en el recipiente, o en el compartimento de alimentación o en el tubo de alimentación del accesorio de preparación de verduras.

Utilice siempre la mano de mortero al cortar con el tubo de alimentación del accesorio de preparación de verduras.

Antes de limpiar el aparato, apáguelo siempre moviendo el mando de velocidad hasta la posición "O" y extraiga el enchufe de la pared o, como alternativa, desconecte el interruptor de trabajo.

Sujete siempre el asa del accesorio de preparación de verduras al abrir o cerrar el compartimento de alimentación.

Solo el personal técnico cualificado puede reparar el aparato y abrir la carcasa.

No utilice el accesorio de preparación de verduras para cortar alimentos congelados. Retire todas las partes duras de los alimentos antes de cortarlos (por ejemplo, pedúnculos de manzana, partes duras de los nabos, etc.) para evitar daños en las cuchillas de corte.

Este aparato no debe ser utilizado por niños ni personas con capacidades físicas, sensoriales o mentales reducidas, ni por personas que no tengan experiencia con dichos aparatos, a menos que cuenten con las instrucciones o la supervisión adecuadas.

DESEMBALAJE

Verifique que no falta ninguna pieza, que el aparato funciona, y que nada haya sufrido daños durante el transporte. Las reclamaciones deberán realizarse dentro de los ocho días siguientes a la entrega al proveedor del aparato.

INSTALACIÓN

Quite la cuchilla del recipiente antes de proceder a la instalación.

Enchufe el aparato a una toma de alimentación eléctrica principal, que cumpla las especificaciones incluidas en la placa de características de la parte posterior de la base.

Sitúe el aparato sobre una superficie o mesa resistente que tenga una altura de 650-900 mm.

Instale el estante de pared para las herramientas de corte y la placa proyectable en una pared cercana al aparato.

CONTROL DE SEGURIDAD ANTES DE USO

USO DEL ACCESORIO DE PREPARACIÓN DE VERDURAS:

Extraiga el enchufe de la toma de pared o, como alternativa, desconecte el interruptor de trabajo, y compruebe después que el cable eléctrico esté en buen estado y no tenga grietas.

Extraiga la unidad de preparación de verduras, las herramientas de corte y la placa proyectable de acuerdo con las instrucciones del capítulo "Desmontaje", y luego verifique que el aparato no se iniciará cuando el control de velocidad esté en la posición "II".

Coloque el aparato de acuerdo con las instrucciones del capítulo "Montaje". Ajuste el mando de velocidad en posición "II". Compruebe que el aparato se detiene cuando el mango del accesorio de preparación de verduras se eleva y que el eje deja de girar al cabo de 2 segundos. A continuación, compruebe que el equipo vuelva a iniciarse cuando se baja de nuevo el mango.

Compruebe que la base de goma del aparato está firmemente atornillada en su posición.

En cuanto a las herramientas de corte, consulte la página 55.

En caso de fallo o funcionamiento incorrecto, llame a un mecánico cualificado para solucionar el fallo antes de usar el aparato.

USO DEL ACCESORIO DE CORTE/ RECIPIENTE:

Extraiga el enchufe de la toma de pared o, como alternativa, desconecte el interruptor de trabajo, y compruebe después que el cable eléctrico esté en buen estado y no tenga grietas.

Instale el recipiente, la cuchilla y la tapa. Seleccione la velocidad en posición "II" y compruebe que el eje para de rotar 4 segundos después de que la tapa haya sido levantada y girada en el sentido contrario a las agujas del reloj tanto como sea posible.

Retire la tapa, la cuchilla y el recipiente. Gire el mando de selección de velocidad hasta la posición "II" y compruebe que el aparato no se pone en marcha.

Compruebe que la base de goma del aparato está firmemente atornillada en su posición.

Compruebe que las cuchillas están en buen estado y afiladas.

En caso de fallo o funcionamiento incorrecto, llame a un mecánico cualificado para solucionar el fallo antes de usar el aparato.

TIPOS DE PROCESADO

USO DEL ACCESORIO DE PREPARACIÓN DE VERDURAS:

Corta en rodajas, dados, ralla, corta en tiras, en juliana y con corte rizado en distintos tamaños, en función de la herramienta de corte seleccionada. Procesa verduras, frutas, pan seco, queso, frutos secos, setas, etc. El compartimento de alimentación grande se utiliza principalmente para la alimentación a granel de todo tipo de productos y para el corte de productos más grandes, como la col.

El compartimento de alimentación grande se usa también cuando es necesario cortar el producto en una dirección específica, como por ejemplo tomates y limones. Coloque/apile los productos, como se muestra en la imagen.

El tubo de alimentación incorporado se utiliza para cortar productos largos, como pepinos por ejemplo, ver foto.

USO DEL ACCESORIO DE CORTE/ RECIPIENTE:

Corta, pica, bate y mezcla carne picada, mantequilla aromatizada, aliños, postres, purés, patés, sopas, etc. Prepara carne, pescado, fruta, verduras, cebollas, perejil, nueces, almendras, parmesano, champiñones, chocolate, etc.

USUARIOS

Restaurantes, tiendas de cocina, cafeterías, pastelerías, cocinas dietéticas, residencias geriátricas, escuelas, centros de comida rápida, centros de día, bufés de ensaladas, etc.

CAPACIDAD

AL USAR EL ACCESORIO DE PREPARACIÓN DE VERDURAS

Hasta 80 porciones al día y 2 kg por minuto.

AL USAR EL ACCESORIO DE CORTE/ RECIPIENTE

La cantidad y el tamaño de las porciones que pueden ser procesadas a la vez y la duración del tiempo de procesado, dependen de la consistencia de la comida y del resultado deseado.

Para un buen resultado igualado con comidas sólidas como carne y queso, deberían cortarse primero en trozos más o menos iguales y no superiores a 3x3x3 cm.

Las cantidades máximas recomendadas que se pueden procesar al mismo tiempo son las siguientes:

- Carne: 1 kg
- Pescado: 1 kg
- Mantequilla aromatizada: 1 kg
- Mayonesa: 1 litro
- Perejil: 1 litro

LA ESPÁTULA

ACCESORIO DE CORTE/RECIPIENTE:

Use siempre la espátula en todos los tipos

de procesado, ya que la espátula de tres palas reduce la velocidad de rotación de los alimentos en el recipiente y los guía hacia el centro y la zona de corte del recipiente.

Si gira el mango de la espátula de adelante a atrás, podrá retirar los alimentos de la tapa y las paredes del recipiente para devolverlos a la zona de corte mientras el aparato está en funcionamiento.

MONTAJE

ACCESORIO DE PREPARACIÓN DE VERDURAS:

Coloque la placa proyectable en el eje, gire la placa proyectable y presione hacia abajo hasta su acople.

A continuación, coloque la herramienta de corte elegida en el eje y gire la herramienta de modo que caiga dentro de su acople.

Al cortar en dados: colocar la rejilla para corte en dados con el borde afilado de las cuchillas hacia arriba, de modo que el hueco en el lateral de la rejilla de corte en dados encaje en la ranura de guía en la base del aparato. Después, coloque la herramienta de corte en rodajas en el eje y gírela de modo que caiga dentro de su acople.

Coloque el accesorio de preparación de verduras en la base del aparato de modo que el texto "Close-Open" se encuentre "a las 5" en relación con la salida de la base del aparato y gírelo en sentido horario hasta que haga tope y esté firmemente sujeto en su posición.

ACCESORIO DE CORTE/RECIPIENTE:

Coloque el recipiente en la base del aparato de forma que la placa para el recipiente esté insertada en el hueco superior de la base del aparato.

Coloque la cuchilla en el eje y gírela presionando hacia abajo de modo que se hunda completamente en su acoplamiento.

Ajuste el anillo de sellado en la ranura del interior de la tapa.

Sujete el centro del anillo de la espátula y coloque la tapa en el anillo de la espátula.

Coloque el mango de la espátula encima de la tapa y el anillo de la espátula por debajo. Gire el mango de la espátula en sentido contrario a las agujas del reloj hasta el tope permitido por el anillo de la espátula y se unirán las tres partes.

Coloque la tapa en el recipiente de modo que el texto "Close-Open" se encuentre "a las 5" en relación con la salida de la base del aparato.

Gire completamente la tapa en dirección horaria hasta su tope.

DESMONTAJE

ACCESORIO DE PREPARACIÓN DE VERDURAS:

Gire el accesorio de preparación de verduras

en sentido antihorario hasta el tope, y luego retírelo.

Gire la herramienta de corte hacia la derecha y retírela.

Retire la rejilla de corte en dados.

Retire la placa proyectable.

ACCESORIO DE CORTE/RECIPIENTE:

Gire la tapa en dirección contraria a las agujas del reloj lo máximo posible y retire la tapa/espátula.

Presione sobre el mango de la espátula y el anillo de la espátula a la vez, gire al mismo tiempo el mango de la espátula hasta el tope en sentido de las agujas del reloj y separe las tres piezas.

Gire la cuchilla en sentido horario hasta llegar al tope y retire la cuchilla y separe el recipiente. Si el contenido del recipiente es líquido, deberá vaciarlo antes de retirar la cuchilla.

USO DEL CONTROL DE VELOCIDAD

Al cortar en dados y durante el corte de alimentos frágiles como el tomate, etc., recomendamos que el control de velocidad se encuentre en posición "I" para realizar un procesado muy moderado y obtener así los mejores resultados.

Con el mando de velocidad situado en posición "O" el aparato estará desconectado. En la posición "I", el aparato funciona de forma ininterrumpida a baja velocidad y en posición "II", funciona de forma ininterrumpida a alta velocidad. En la posición "P" (pulse) el aparato funciona hasta que actúa el control de velocidad (accesorio de corte/recipiente).

LIMPIEZA

Lea todas las instrucciones antes de empezar a limpiar el aparato.

ANTES DE LA LIMPIEZA: Desconecte siempre el aparato y extraiga el enchufe de la pared. También puede, si el aparato no dispone de enchufe, desconectar el interruptor de trabajo. Retire todas las piezas extraíbles para limpiarlas. Si el aparato está equipado con un accesorio de corte/mezclador vertical, retire las palas de espátula y el anillo de sellado.

LIMPIEZA EN LAVAVAJILLAS Todas las piezas extraíbles son aptas para lavavajillas.

LIMPIEZA A MANO: Use siempre detergente líquido de lavado a mano.

MATERIAL DE LIMPIEZA: Use un cepillo para vajilla para limpiar las zonas de alimentos. El eje de la cuchilla en el centro del aparato puede limpiarse con una pequeña escobilla cilíndrica. Use un trapo húmedo para limpiar las demás superficies del aparato.

DESINFECCIÓN: Use alcohol isopropílico (65-70%). El alcohol isopropílico es altamente inflamable, de modo que úselo con precaución al aplicarlo.

ATENCIÓN:

- No vierta o pulverice agua sobre los laterales del aparato.
- No use hipoclorito de sodio (cloro) u otro agente que contenga esta sustancia.
- No utilice objetos afilados ni ningún objeto que no esté pensado para la limpieza.
- No use detergentes o productos de limpieza abrasivos.

A EVITAR: No use esponjas de limpieza con estropajo (como Scotch-Brite™) salvo que sea imprescindible. Esto raspará la superficie y la hará menos repelente al agua.

CONSEJOS SOBRE EL CUIDADO:

- Limpie el aparato inmediatamente después de su uso.
- Seque el aparato inmediatamente después de limpiarlo para evitar que se oxide y decolore la superficie.

INFORMACIÓN: Si el aparato permanece húmedo por un periodo prolongado, aparecerán manchas. Estas manchas no son problemáticas, pero la superficie original perderá su brillo. Las verduras y frutas contienen ácidos. Dependiendo de qué productos se procesen, esto tendrá un efecto en el metal tras periodos variables de tiempo. Por eso es importante limpiar el aparato justo después de usarlo para procesar productos salados y ácidos.

RESOLUCIÓN DE PROBLEMAS

Para eliminar el riesgo de dañar el motor, el CC-34 está equipado con protección térmica del motor que automáticamente apagará el aparato si la temperatura del motor es demasiado alta. La protección térmica del motor tiene reinicio automático, lo que significa que el aparato podrá encenderse de nuevo cuando el motor se haya enfriado. Esto puede llevar entre 10 y 30 minutos.

FALLO: El aparato no se pone en marcha o se para durante el funcionamiento y no puede volver a ponerse en marcha.

SOLUCIÓN: Compruebe que el cable de alimentación está correctamente enchufado a la toma de corriente, o bien, seleccione el interruptor principal en posición "I". Controle que los fusibles del cuadro eléctrico de las instalaciones no hayan saltado y que sean del amperaje correcto. Compruebe que el accesorio de preparación de verduras esté instalado correctamente y que el mango del accesorio de preparación de verduras se haya desplazado hacia abajo. Compruebe que el recipiente y la tapa estén colocados correctamente. Espere 30 minutos y después, vuelva a intentar encender el aparato de nuevo. Llame a un mecánico cualificado.

FALLO: Baja capacidad o mal resultado de procesado al utilizar el accesorio de preparación de verduras.

SOLUCIÓN: Seleccione la herramienta de corte correcta. Utilice siempre la placa proyec-

table. Compruebe que las cuchillas y placas de rallado/corte en tira están completas y afiladas. Presione los alimentos hacia abajo ligeramente y con menos fuerza.

FALLO: Baja capacidad o mal resultado de procesado al utilizar el accesorio de corte/ recipiente.

SOLUCIÓN: Separe los productos en trozos más pequeños de tamaños parecidos de un máximo de 3x3x3 cm. Procese durante un tiempo variable más o menos prolongado. Procese una cantidad más pequeña cada vez. Tenga siempre instalada la espátula y úsela cuando sea conveniente.

FALLO: La herramienta de corte no se puede retirar al utilizar el accesorio de preparación de verduras.

SOLUCIÓN: Utilice siempre la placa proyectable. Utilice un guante de cuero grueso u otro guante que las cuchillas de la herramienta de corte no puedan cortar y retire la herramienta de corte girándola en sentido horario.

ESPECIFICACIONES TÉCNICAS DE HALLDE CC-34

CAPACIDAD Y VOLUMEN: Procesa hasta 2 kg por minuto con el accesorio de preparación de verduras, dependiendo del tipo de herramienta de corte y de alimentos. Capacidad del accesorio de preparación de verduras: 0,9 litros. Diámetro del tubo de alimentación: 53 mm. Accesorio de corte/recipiente: volumen bruto del recipiente: 3 litros. Volumen neto del recipiente con líquido fluido: 1,4 litros.

BASE DEL APARATO: Motor: 1,0 kW. 100-120 V, monofásico, 50-60 Hz. 220-240 V, monofásico, 50/60 Hz. Protección térmica del motor. Transmisión: correa dentada libre de mantenimiento. Sistema de seguridad: Dos interruptores de seguridad. Grado de protección: IP34. Toma de corriente de alimentación. Con toma de tierra, monofásico, 10 A, fusible en la caja de fusibles de las instalaciones: 10 A, retardado. Nivel de ruido: LpA (EN31201): 76 dBA durante el triturado y 82 dBA durante el picado. Campo magnético: Menos de 0,1 microteslas.

MANDOS Y VELOCIDADES: Cuatro velocidades (HALLDE 4-Speed) para obtener resultados de procesado perfectos al utilizar el accesorio de preparación de verduras y el accesorio de corte/recipiente. Ajuste automático de velocidad (HALLDE Auto-Speed) que detecta si están instalados el accesorio de preparación de verduras o el accesorio de corte/recipiente. Al cortar con el accesorio de preparación de verduras el aparato funciona a 500 rpm en la posición "I" y 800 rpm en la posición "II", y durante el picado con el accesorio de corte/recipiente a 1.450 rpm en la posición "I" y 2.650 rpm en posición "II". La función Pulse funciona a 2.650 rpm durante el picado con el accesorio de corte/recipiente, en la posición "P".

HERRAMIENTAS DE CORTE Y CUCHILLA DE PICADO: El diámetro de las herramientas

de corte es de 185 mm. El diámetro de la cuchilla de picado es de 170 mm.

PESOS NETOS: Base del aparato: 8,6 kg. Accesorio de preparación de verduras completo, excluyendo las herramientas de corte: 1 kg. Herramientas de corte: aprox. 0,3 kg de media. Accesorio de picado rápido completo, excluyendo cuchilla: 1,4 kg.

NORMAS/CRITERIOS: CRITERIO NSF 8, consulte la declaración de conformidad.

KÄYTTÖOHJE

HÄLLDE CC-34

(FI)

HUOMIO!

Ole hyvin varovainen käsitellessäsi teräviä ja liikkuvia osia.

Kanna konetta aina laitteen sivuilla olevista kahdesta kahvasta.

Älä koskaan laita käsiäsi kulhoon tai syöttöosastoon tai vihannesleikkurin syöttöputkeen.

Käytä aina survinta käyttäessäsi vihannesleikkurin syöttöputkea.

Ennen kuin puhdistat laitteen, sammuta se aina kääntämällä nopeudensäädin "O"-asentoon ja irrottamalla sitten pistoke pistorasiasta tai vaihtoehtoisesti avaamalla erotuskytkin.

Tartu aina vihannesvalmisteosan kahvasta, kun syöttöosastoa avataan tai suljetaan.

Vain valtuutettu huoltomekaanikko saa korjata laitteen ja avata laitteen rungon.

Älä käytä vihannesvalmisteosaa jäätyneen ruoan pilkkomiseen. Poista kaikki kovat osat ruoasta ennen pilkkomista (esim. omenan kannat, nauriin puiset osat jne.) välttyäkseen vahingoittamasta leikkuuteriä.

Lapset tai fyysisiltä, sensorisilta tai psyykkisiltä ominaisuuksiltaan heikentyneet henkilöt tai henkilöt, joilla ei ole riittävää kokemusta tällaisten laitteiden käytöstä, eivät saa käyttää laitetta ilman asianmukaista ohjeistusta ja valvontaa.

PAKKAUKSEN PURKAMINEN

Tarkista, että kaikki osat ovat olemassa, että laite toimii ja ettei mitään ole vaurioitunut kuljetuksen aikana. Valitukset on esitettävä laitteen toimittajalle kahdeksan päivän kuluessa toimituksesta.

ASENNUS

Poista terä kulhosta ennen asennusta.

Liitä laite sähköverkkoon, jonka jännite vastaa laitteen rungon takana olevaan tyyppikilpeen merkittyä.

Aseta laite tukevalle penkille tai pöydälle, jonka korkeus on 650–900 mm.

Asenna leikkuuterille ja poistolevylle tarkoitettu seinäteline seinään lähelle laitetta.

TARKISTA AINA ENNEN KÄYTTÖÄ

VIHANNESLEIKKURIN KANSSA:

Irrota virtapistoke sähköverkosta tai avaa erotuskytkin ja tarkista sitten, että sähköjohto on hyvässä kunnossa eikä siinä ole murtumia.

Poista vihannesleikkuri, kaikki leikkuuterät ja poistolevy kohdassa "Purkaminen" annettujen ohjeiden mukaisesti ja tarkista sitten, että laite ei käynnisty, kun nopeudensäädin on asennossa "II".

Asenna laite otsikon "Kokoaminen" alla olevien ohjeiden mukaisesti. Aseta nopeudensäätönpöytä asentoon "II". Tarkista, että laite pysähtyy, kun vihannesleikkurin kahva nostetaan, ja että akselin pyöriminen loppuu 2 sekunnin kuluessa. Tarkista sitten, että laite käynnistyy uudelleen, kun kahva lasketaan.

Tarkista, että laitteen rungon kumijalat on ruuvattu tiukasti paikoilleen.

Leikkuuterien osalta katso sivuja 55.

Jos laitteessa esiintyy vikoja tai toimintahäiriöitä, ota yhteyttä valtuutettuun huoltomekaanikkoon, joka korjaa vian ennen laitteen käyttöönottoa.

LEIKKURI-/KULHO-OSAN KANSSA:

Irrota virtapistoke sähköverkosta tai avaa erotuskytkin ja tarkista sitten, että sähköjohto on hyvässä kunnossa eikä siinä ole murtumia.

Aseta kulho, terä ja kansi paikalleen. Aseta nopeudensäädin "II"-asentoon ja tarkista, että akseli lakkaa pyörimästä 4 sekunnin kuluessa siitä, kun kansi on poistettu kääntämällä sitä vastapäivään, niin pitkälle kuin se menee.

Poista kansi, terä ja kulho. Käännä nopeudensäädin asentoon "II" ja tarkista, että laite ei käynnisty.

Tarkista, että laitteen kumijalat on ruuvattu tiukasti paikoilleen.

Tarkista, että leikkuuterät ovat hyvässä kunnossa ja teräviä.

Jos laitteessa esiintyy vikoja tai toimintahäiriöitä, kutsu valtuutettu huoltomekaanikko korjaamaan vika ennen laitteen käyttöönottoa.

KÄYTTÖTAPA

VIHANNESLEIKKURIN KANSSA:

Viipalo, kuutio, raastaa, pilkkoo, suikaloi ja silppuaa erimittaisiksi paloiksi valitun leikkuuterän mukaan. Käsittelee vihanneksia, hedelmiä, kuivaa leipää, juustoa, pähkinöitä, sieniä jne.

Suurta syöttöosastoa käytetään pääasiassa kaikenlaisten tuotteiden massasyöttöön ja suurempien tuotteiden, kuten kaalin, leikkaamiseen.

Suurta syöttöosastoa käytetään myös silloin, kun tuote on leikattava johonkin tiettyyn suuntaan, kuten tomaatit tai sitruunat. Aseta/pinoa tuotteet kuvassa osoitetulla tavalla.

Sisäänrakennettua syöttöputkea käytetään pitkien tuotteiden, kuten kurkun, leikkaamiseen. Katso kuva.

LEIKKURI-/KULHO-OSAN KANSSA:

Pilkkoo, jauhaa ja sekoittaa jauhelihaa, maustevoita, kastikkeita, jälkiruokia, soseita, pateita, keittoja jne. Käsittelee lihaa, kalaa, hedelmiä, vihanneksia, sipulia, persiljaa, pähkinöitä, manteleita, parmesaania, sieniä, suklaata jne.

KÄYTTÄJÄT

Ravintolat, kauppojen keittiöt, kahvilat, leipomot, dieettikeittiöt, vanhainkodit, koulut, pikaruokapaikat, päiväkodit, salaattibaarit jne.

KAPASITEETTI

VIHANNESLEIKKURIA KÄYTETTÄESSÄ

Jopa 80 annosta päivässä ja 2 kg minuutissa.

LEIKKURI-/KULHO-OSAA KÄYTETTÄESSÄ

Kerralla käsiteltävien palojen määrä ja koko sekä käsittelyyn kuluva aika riippuvat elintarvikkeiden koostumuksesta ja halutusta tuloksesta.

Saadaksesi hyvän ja tasaisen tuloksen kiinteillä elintarvikkeilla, kuten lihalla ja juustolla, ne on ensin syytä paloittaa suunnilleen yhtä suuriksi paloiksi, joiden koko on enintään 3 x 3 x 3 cm.

Suosittelut enimmäismäärät, joita kone voi kerralla käsitellä, ovat seuraavat:

- Liha: 1 kg
- Kala: 1 kg
- Maustevoita: 1 kg
- Majoneesi: 1 litra
- Persilja: 1 litra

KAAVIN

LEIKKURI-/KULHO-OSA

Pidä kaavin aina asennettuna kaikenlaisten käsittelyn aikana, sillä kolme kaavinterää hidastavat ruoan pyörimistä kulhossa ja ohjaavat ruokaa kohti kulhon keskustaa/leikkausosaa.

Kääntämällä kaapimen kahvaa edestakaisin kansi ja kulhon seinät voidaan helposti kaapia ja ruoka palaa leikkausalueelle laitteen ollessa käynnissä.

KOKOAMINEN

VIHANNESLEIKKURI:

Aseta poistolevy akselille, käännä poistolevyä ja paina se alaspäin liitännänsä.

Aseta sitten valittu leikkuuterä akselille ja pyöritä leikkuuterää siten, että se putoaa liitännänsä.

Paloittelun aikana: Laita paloitteluritilä terien terävä reuna ylöspäin siten, että ritilän kyljessä oleva syvennys osuu koneessa olevaan ohjauksuraan. Aseta sitten viipalointiterä akselille ja pyöritä viipalointiterää siten, että se putoaa liitännänsä.

Laita vihannesleikkuri laitteen runkoon siten, että teksti "Close Open" on kello 5:n kohdalla suhteessa laitteen rungon istukkaan, ja käännä vihannesleikkuria sitten myötäpäivään, niin pitkälle kuin se menee ja kunnes se on tukevasti paikallaan.

LEIKKURI-/KULHO-OSA:

Aseta kulho laitteeseen siten, että kulhon kohdistuslevy asettuu koneen alustan syvennyksen päälle.

Aseta terä akselille ja pyöritä terää samalla, kun painat sitä alaspäin siten, että se uppoaa täysin liittimeensä.

Aseta tiivisterengas kannen sisäpuolen uraan.

Tartu kaavinrenkaan keskustaan ja aseta kansi kaavinrenkaan päälle

Aseta kaapimen kahva kannen päälle ja kaavinrenkas sen alle. Käännä kaapimen kahvaa vastapäivään, niin pitkälle kuin se menee kaavinrenkaassa, ja näin kolme osaa on liitetty toisiinsa.

Laita kansi kulhon päälle siten, että teksti "Close Open" on kello 5:n kohdalla suhteessa laitteen rungon istukkaan.

Kierrä kantta myötäpäivään, niin pitkälle kuin se menee.

PURKAMINEN

VIHANNESLEIKKURI:

Käännä vihannesleikkuria vastapäivään, niin pitkälle kuin se menee, ja nosta se sitten pois.

Käännä leikkuuterää myötäpäivään ja nosta se pois.

Nosta paloittelurutilä pois.

Nosta poistolevy pois.

LEIKKURI-/KULHO-OSA:

Kierrä kantta vastapäivään, niin pitkälle kuin se menee, ja nosta kansi/kaavin pois.

Paina kaavinrenkas ja kaapimen kahva yhteen pyörittämällä kaapimen kahvaa myötäpäivään, niin pitkälle kuin se menee, ja erota kolme osaa toisistaan.

Käännä terää myötäpäivään, niin pitkälle kuin se menee, irrota terä ja nosta se pois kulhosta. Jos kulhon sisältö on nestemäistä, se on tyhjennettävä ennen teräosan poistamista.

NOPEUDENSÄÄTIMEN KÄYTTÖ

Hauraiden elintarvikkeiden, kuten tomaattien jne., paloittelun ja viipaloinnin aikana on suositeltavaa, että nopeudensäädin on asetettu asentoon "I", jolloin käsittely on erityisen hidas/varovainen ja lopputulos paras mahdollinen.

Nopeudensäätimen ollessa "O"-asennossa laite on kytketty pois päältä. "I"-asennossa laite toimii jatkuvasti alhaisella nopeudella ja "II"-asennossa jatkuvasti suurella nopeudella. Asennossa "P" (pulse) laite toimii, kunnes nopeudensäädin vapautetaan (leikkuri-/kulho-osa).

PUHDISTUS

Lue kaikki ohjeet, ennen kuin alat puhdistaa laitetta.

ENNEN PUHDISTUSTA: Sammuta aina laite ja irrota pistoke pistorasiasta. Vaihtoehdoisesti, jos laitteessa ei ole pistoketta, avaa erotuskytkin. Poista kaikki irrotettavat osat, jotka on puhdistettava. Jos laite on varustettu pystysuoralla leikkuri-/sekoitinosaalla, poista myös kaavinterät ja tiivisterengas.

PESU ASTIANPESUKONEESSA: Kaikki irrotettavat osat ovat konepestäviä.

PESU KÄSIN: Käytä aina käsitiskiainetta.

PUHDISTUSMATERIAALIT: Käytä tiskiharjaa ruoan kanssa kosketuksissa olevien alueiden puhdistamiseen. Laitteen keskiosassa oleva teräkseli voidaan puhdistaa pienellä pulloharjalla. Käytä kosteaa liinaa laitteen muiden pintojen puhdistamiseen.

DESINFIOINTI: Käytä isopropyylialkoholia (65–70 %). Isopropyylialkoholi on erittäin helposti syttyvää, joten ole varovainen käsitellessäsi sitä.

VAROITUS:

- Älä kaada tai suihkuta vettä laitteen päälle.
- Älä käytä natriumhypokloriittia (kloori) tai mitään sitä sisältävää valmistetta.
- Älä käytä teräviä esineitä tai mitään muita esineitä, joita ei ole tarkoitettu puhdistamiseen.
- Älä käytä hankaavia pesu- tai puhdistusaineita.

VÄLTÄ: Älä käytä puhdistukseen hankaus-sieniä (esim. Scotch-Brite™), ellei se ole aivan välttämätöntä. Ne karhentavat pintaa ja tekevät siitä vähemmän vettä hylkivän.

HUOLTO-OHJEET:

- Puhdista laite välittömästi käytön jälkeen.
- Kuivaa laite heti puhdistuksen jälkeen välttääksesi pinnan hapettumista ja haalistumista.

TIEDOKSI: Jos laite jätetään kosteaksi pidemmäksi ajaksi, siihen ilmestyy tahroja. Tahrat ovat harmittomia, mutta alkuperäinen pinta menettää kiiltonsa. Vihannekset ja hedelmät sisältävät happeja. Ne vaikuttavat metalliin vaihtelevan pituisen ajan kuluttua ja sen mukaan, mitä tuotteita laitteella käsitellään. Siksi on tärkeää puhdistaa laite välittömästi suolaisten ja happamien tuotteiden käsittelyn jälkeen.

VIANMÄÄRITYS

Moottorin vahingoittumisriskin eliminoimiseksi CC-34 on varustettu moottorin lämpösuojalla, joka sammuttaa laitteen automaattisesti, mikäli moottorin lämpötila nousee liian korkeaksi. Moottorin lämpösuojassa on automaattinen nollaus, mikä tarkoittaa, että laite voidaan käynnistää uudelleen, kun moottori on jäähtynyt. Siihen kuluu yleensä 10–30 minuuttia.

VIKA: Laite ei käynnisty tai pysähtyy kesken käytön, eikä sitä voida käynnistää uudelleen.

KORJAUS: Tarkista, että pistoke on kunnolla kiinni pistorasiassa, tai vaihtoehtoisesti aseta pääkytkin "I"-asentoon. Tarkista, että sulake-rasiassa olevat sulakkeet eivät ole lauenneet ja niissä on oikea ampeeriarvo. Tarkista, että vihannesleikkuri on asennettu oikein ja että vihannesleikkurin kahva on laskettu. Tarkista, että kulho ja kansi on asennettu oikein. Odota 30 minuuttia ja yritä sitten käynnistää laite uudelleen. Kutsu paikalle valtuutettu huoltomekaniikko.

VIKA: Alhainen kapasiteetti tai huono leikkutulostulos käytettäessä vihannesleikkuria.

KORJAUS: Valitse oikea leikkuuterä. Käytä aina poistolevyä. Tarkista, että terät ja raastin/silppurilevyt ovat hyvässä kunnossa ja teräviä. Paina aineksia alaspäin kevyesti, vähemmällä voimalla.

VIKA: Alhainen kapasiteetti tai huono leikkutulostulos käytettäessä leikkuri-/kulho-osaa.

KORJAUS: Paloittele elintarvikkeet pienemmiksi, tasakokoisiksi kappaleiksi, maks. 3x3x3 cm. Käytä lyhyemmän tai pidemmän aikaa. Käsittele pienempiä määriä kerralla. Pidä kaavin aina asennettuna ja käytä sitä tarvittaessa.

VIKA: Leikkuuterää ei voida poistaa käytettäessä vihannesleikkuria.

KORJAUS: Käytä aina poistolevyä. Käytä paksuja nahkahansikkaita tai muita käsineitä, joita leikkuuterä ei voi leikata, ja poista leikkuuterä kääntämällä sitä myötäpäivään.

HALLDE CC-34:N TEKNISET TIEDOT

KAPASITEETTI JA TILAVUUS: Käsittelee enintään 2 kg minuutissa vihannesleikkurilla. Määrä riippuu leikkuuterästä ja elintarvikkeista. Vihannesleikkurin tilavuus: 0,9 litraa. Syöttöputken halkaisija: 53 mm. Leikkuri-/kulho-osa: kulhon bruttotilavuus: 3 litraa. Kulhon nettotilavuus vapaasti virtaavalla nesteellä: 1,4 litraa.

LAITTEEN RUNKO: Moottori: 1,0 kW. 100–120 V, yksivaiheinen, 50–60 Hz. 220–240 V, yksivaiheinen, 50/60 Hz. Moottorin lämpösuoja. Voimansiirto: huoltoa kaipaamaton hammashihna. Turvajärjestelmä: Kaksi turvakytkintä. Suojausluokka: IP34. Virtalähteen liitäntä: Maadoitettu, yksivaiheinen, 10 A. Sulake sulaketaulussa: 10A, viivästetty. Äänitaso: LpA (EN31201): 76 dBA leikkauksen aikana ja 82 dBA pilkkomisen aikana. Magneettikenttä: Alle 0,1 mikroteslaa.

SÄÄTIMET JA NOPEUDET: Neljä nopeutta (HALLDE 4-Speed) täydelliseen käsittelytulokseen sekä vihannesleikkurin että leikkuri-/kulho-osan kanssa. Automaattinen nopeuden asetust (HALLDE Auto-Speed), joka tunnistaa, onko kiinnitettyä vihannesleikkuri vai leikkuri-/kulho-osa. Leikattaessa vihannesleikkurilla laite toimii nopeudella 500 rpm asennossa "I" ja

800 rpm asennossa "II". Pilkkottaessa leikkuri-/kulho-osan kanssa laite toimii nopeudella 1450 rpm asennossa "I" ja 2650 rpm asennossa "II". Pulse-toiminto toimii nopeudella 2650 rpm pilkkottaessa leikkuri-/kulho-osan kanssa asennossa "P".

LEIKKUUTERÄT JA PILKKOMISTERÄ: Leikkuuterän halkaisija on 185 mm. Pilkkomisterän halkaisija on 170 mm.

NETTOPAINOT: Laitteen runko: 8,6 kg. Vihannesleikkuri kokonaisuutena, ilman leikkuuteriä: 1 kg. Leikkuuterät: noin 0,3 kg keskimäärin. Nopea paloitteluosa ilman terää: 1,4 kg.

NORMIT/STANDARDIT: NSF STANDARD 8, katso vaatimustenmukaisuusvakuutus.

MODE D'EMPLOI

HÄLLDE CC-34

(FR)

ATTENTION !

Attention de ne pas se couper sur les couteaux et de ne pas se blesser sur les pièces en mouvement.

Toujours porter l'appareil par les deux poignées latérales.

Ne jamais mettre les mains dans le récipient, dans la chambre d'alimentation ou dans la goulotte d'alimentation du coupe-légumes.

Utiliser impérativement le poussoir, lorsque l'alimentation s'effectue par la goulotte du coupe-légumes.

Avant de procéder au nettoyage, toujours déconnecter l'appareil, en tournant le sélecteur de vitesse en position « O » et en débranchant ensuite la fiche de la prise murale ou en coupant l'interrupteur de service.

Utiliser impérativement la poignée du coupe-légumes pour ouvrir ou fermer la chambre d'alimentation.

Seul un technicien qualifié peut réparer l'appareil et ouvrir le corps de celui-ci.

Le CC-34 ne doit pas être utilisé pour préparer des produits congelés. Il faut aussi prendre soin d'enlever toutes les parties dures des matières premières (queues de pommes, morceaux de choux-navets trop coriaces, etc.) afin de ne pas endommager les arêtes tranchantes.

Cet appareil ne doit pas être utilisé par des enfants ou des personnes avec des capacités physiques, sensorielles ou intellectuelles réduites ou des personnes sans expérience de ces appareils, à moins qu'elles ne reçoivent une formation adéquate ou ne soient supervisées.

DÉBALLAGE

Vérifier que toutes les pièces sont jointes, que l'appareil fonctionne et que rien n'a été endommagé lors du transport. Toute réclamation doit parvenir au fournisseur de l'appareil sous huitaine.

INSTALLATION

Avant de procéder à l'installation, retirer le couteau du récipient.

Brancher l'appareil à une prise de courant correspondant aux caractéristiques indiquées sur la fiche signalétique au dos du bloc moteur.

Placer l'appareil sur un plan de travail ou une table solide de 65 à 90 cm de hauteur.

Fixer le porte-accessoires pour le rangement des accessoires tranchants et le plateau répartiteur sur un mur proche de l'appareil.

CONTRÔLE DE SÉCURITÉ AVANT UTILISATION

AVEC LE COUPE-LÉGUMES

Débrancher la prise murale ou fermer l'interrupteur de service, puis vérifier que le câble électrique est intact et ne présente pas de fissures.

Retirer le coupe-légumes, tous les accessoires tranchants et le plateau répartiteur selon les instructions du chapitre « Démontage », puis vérifier que la machine ne démarre pas lorsque le sélecteur de vitesse est mis dans la position « II ».

Mettre en place l'appareil, en suivant les instructions du chapitre « Montage ». Mettre le sélecteur de vitesse en position « II ». Vérifier que l'appareil s'arrête, lorsque la poignée du coupe-légumes est repoussée vers le haut et s'assurer que l'axe cesse de tourner dans les 2 secondes. Puis s'assurer que l'appareil redémarre dès que l'on rabat la poignée.

Vérifier que les pieds en caoutchouc de l'appareil sont bien vissés.

En ce qui concerne les accessoires tranchants, cf. pages 55.

En cas de défaut ou de mauvais fonctionnement, faire appel à un professionnel qualifié qui réparera l'appareil avant toute remise en service.

AVEC LE COUPEAU/LE RÉCIENT

Débrancher la prise murale ou fermer l'interrupteur de service, puis vérifier que le câble électrique est intact et ne présente pas de fissures.

Mettre en place le récipient, le couteau et le couvercle. Mettre le sélecteur de vitesse sur « II » et vérifier que l'arbre s'arrête dans les 4 secondes après que le couvercle ait été tourné dans le sens contraire des aiguilles d'une montre jusqu'en butée.

Retirer le couvercle, le couteau et le récipient. Amener le sélecteur de vitesse dans la position « II » et vérifier que l'appareil ne démarre pas.

Vérifier que les pieds en caoutchouc de l'appareil sont bien vissés.

Veiller à ce que les couteaux soient intacts et bien coupants.

En cas de défaut ou de mauvais fonctionnement, faire appel à un professionnel qualifié qui réparera l'appareil avant toute remise en service.

TYPES DE PRÉPARATION

AVEC LE COUPE-LÉGUMES

L'appareil sert à couper en tranches, en

dés, en lamelles, en julienne et en tranches gauffrées de différentes dimensions et à râper, en fonction de l'accessoire tranchant choisi. Il prépare les légumes, les fruits, le pain sec, le fromage, les noisettes, les champignons, etc.

Utiliser la grande chambre d'alimentation pour charger en continu toutes sortes de produits et pour couper de gros produits comme le chou.

Utiliser également la grande chambre d'alimentation pour couper dans un sens déterminé, par exemple des tomates et des citrons. Placer/empiler les produits selon le schéma.

La goulotte d'alimentation intégrée sert pour la découpe de produits longs comme le concombre ; cf. schéma.

AVEC LE COUPEAU/LE RÉCIENT

L'appareil sert à hacher, à mouder, à mélanger ou à émulsionner la viande, le beurre aromatisé, les assaisonnements, les desserts, les purées, les pâtés, les soupes, etc. Il prépare la viande, le poisson, les fruits, les légumes, les oignons, le persil, les noix, les amandes, le parmesan, les champignons, le chocolat, etc.

UTILISATEURS

Restaurants, traiteurs, cafés, boulangeries-pâtisseries, cuisines diététiques, maisons de retraite, écoles, restauration rapide, centres d'accueil, saladeries, etc.

CAPACITÉ

EN UTILISATION AVEC LE COUPE-LÉGUMES

Jusqu'à 80 portions par jour et 2 kg par minute.

EN UTILISATION AVEC LE COUPEAU/LE RÉCIENT

Les quantités et la taille des morceaux ainsi que la durée de préparation requise sont fonction de la consistance du produit et du résultat souhaité.

Pour obtenir un bon résultat et une bonne homogénéité de la préparation réalisée, les produits à chair ferme comme la viande, le fromage, etc., doivent être préalablement découpés en morceaux de même taille, ne dépassant pas 3x3x3 cm.

La liste ci-dessous indique la quantité maximale à traiter par remplissage.

- Viande : 1 kg
- Poisson : 1 kg
- Beurre aromatisé : 1 kg
- Mayonnaise : 1 litre
- Persil : 1 litre

RACLEUR

COUPEAU/RÉCIENT

Toujours laisser le racleur en place pendant l'utilisation car ses trois pales servent à ralentir la rotation de l'aliment dans le récipient et à le guider vers le centre/la zone de hachage du récipient.

En tournant la poignée du racleur vers l'avant et l'arrière, on peut facilement racler le couvercle et les parois du récipient et ramener l'aliment dans la zone de hachage pendant l'utilisation.

MONTAGE

COUPE-LÉGUMES

Placer le plateau répartiteur sur l'axe et appuyer en tournant pour l'encliqueter.

Ensuite placer l'accessoire tranchant choisi sur l'axe et le tourner jusqu'à encliquetage.

Pour couper en dés : Placer la grille à macédoine avec l'arête tranchante des lames vers le haut, de manière que l'ergot de guidage dont est muni le bloc moteur pénètre dans la rainure située sur le côté de la grille. Ensuite placer le trancheur sur l'axe et le tourner jusqu'à encliquetage.

Placer le coupe-légumes sur le bloc moteur de telle sorte que l'inscription « Close Open » soit dans la position « 5 heures » par rapport à l'orifice de sortie du bloc moteur et puis le tourner dans le sens des aiguilles d'une montre jusqu'à blocage.

COUPEAU/RÉCIPIENT

Placer le récipient sur le bloc moteur de manière que son ergot de verrouillage pénètre dans l'évidement ménagé sur le dessus du bloc moteur.

Placer le couteau sur l'axe et appuyer en tournant jusqu'à encliquetage.

Fixer le joint d'étanchéité dans la gorge à l'intérieur du couvercle.

Saisir la bague du racleur au centre et placer le couvercle dessus.

Placer la poignée du racleur au-dessus du couvercle et la bague du racleur sous celui-ci. Tourner la poignée du racleur dans le sens contraire des aiguilles d'une montre jusqu'en butée pour assembler les trois éléments.

Mettre en place le couvercle sur le récipient de telle sorte que l'inscription « Close Open » soit dans la position « 5 heures » par rapport à l'orifice de sortie du bloc moteur.

Tourner le couvercle dans le sens des aiguilles d'une montre jusqu'en butée.

DÉMONTAGE

COUPE-LÉGUMES

Tourner le coupe-légumes dans le sens contraire des aiguilles d'une montre jusqu'en butée et l'enlever.

Tourner l'accessoire tranchant dans le sens des aiguilles d'une montre et l'enlever.

Enlever la grille à macédoine.

Enlever le plateau répartiteur.

COUPEAU/RÉCIPIENT

Tourner le couvercle dans le sens contraire des aiguilles d'une montre jusqu'en butée et tirer le couvercle/le racleur vers le haut.

Serrer l'une contre l'autre la bague et la poignée du racleur, tout en tournant en même temps la poignée dans le sens contraire des aiguilles d'une montre jusqu'en butée pour séparer les trois éléments.

Tourner le couteau dans le sens des aiguilles d'une montre jusqu'en butée, puis l'enlever et sortir le récipient. Si le contenu du récipient est liquide, il convient de le vider avant d'enlever le couteau.

UTILISATION DU RÉGLAGE DE LA VITESSE

Pour couper en dés ou en tranches des produits fragiles comme les tomates par exemple, il est recommandé de choisir la position "I" afin que la vitesse soit la plus lente possible et le résultat le meilleur.

Lorsque le sélecteur de vitesse est dans la position « O », l'appareil est arrêté. Sur « I », il fonctionne de manière continue à vitesse lente, et sur « II » à grande vitesse. Dans la position « P », il s'arrête dès que l'on relâche le sélecteur (couteau/récipient).

NETTOYAGE

Avant de commencer à nettoyer l'appareil, lire toutes les instructions.

AVANT DE NETTOYER : Toujours arrêter d'abord l'appareil et débrancher la prise murale. A défaut d'une fiche, couper le courant à l'aide de l'interrupteur de service. Retirer toutes les pièces amovibles qui doivent être nettoyées. Si l'appareil est muni d'un accessoire tranchant vertical/hachoir, enlever également les pales et la bague du racleur.

NETTOYAGE DANS LE LAVE-VAISSELLE : Toutes les pièces amovibles peuvent être lavées dans le lave-vaisselle.

NETTOYAGE À LA MAIN : Utiliser toujours un détergent pour vaisselle à la main.

MATÉRIAUX DE NETTOYAGE : Pour nettoyer les zones exposées aux aliments, utiliser une éponge à récurer la vaisselle. L'axe au milieu de l'appareil peut être nettoyé à l'aide d'une petite brosse à bouteilles. Pour essuyer les autres surfaces de l'appareil, utiliser un chiffon humide.

DÉSINFECTION : Utiliser l'alcool isopropylique (de 65 à 70 %). L'alcool isopropylique est très inflammable ; lors de son application, il faut donc être prudent.

ATTENTION !

- Ne pas verser ou asperger d'eau sur les côtés de l'appareil.
- Ne pas utiliser l'hypochlorite de sodium ou d'autres produits contenant cette substance.
- Ne pas utiliser d'objets tranchants pour nettoyer l'appareil ou d'autres objets qui ne sont pas destinés au nettoyage.
- Ne pas utiliser de détergents ou de produits de nettoyage abrasifs.

À ÉVITER Ne pas utiliser d'éponges à récurer avec une toison abrasive (par exemple Scotch-Brite™), si cela n'est pas absolument nécessaire. Cela rend la surface plus rude et moins hydrofuge.

CONSEIL D'ENTRETIEN :

- Nettoyer l'appareil immédiatement après l'utilisation.
- Essuyer l'appareil immédiatement après le nettoyage afin d'éviter l'oxydation et la décoloration du surface.

INFORMATION : Si vous laissez cet appareil humide pendant des périodes plus longues, des taches apparaîtront. Ces taches sont inoffensives mais le surface originale perdra son lustre. Les légumes et les fruits contiennent des acides. En fonction des aliments préparés, cela exerce un effet sur le métal au bout d'une période dont la durée varie. Il est donc important de nettoyer l'appareil immédiatement après la préparation d'aliments salés et acides.

DÉPANNAGE

Pour éliminer les risques de dommages au niveau du moteur, le modèle CC-34 intègre une fonction de sécurité qui l'arrête automatiquement en cas d'échauffement. Le réenclenchement est ensuite automatique, ce qui signifie donc qu'il n'est pas possible de redémarrer l'appareil avant que le moteur ait refroidi, ce qui demande normalement entre 10 et 30 minutes.

DÉFAUT : L'appareil ne démarre pas ou s'arrête en cours de fonctionnement et refuse de redémarrer.

MESURES : S'assurer que la fiche est branchée sur la prise murale ou, selon le cas, que l'interrupteur général est sur « I ». Vérifier que les fusibles dans l'armoire à fusibles du local sont intacts et ont l'ampérage qui convient. Vérifier que le coupe-légumes est correctement monté et que la poignée du coupe-légumes est rabattue. Vérifier que le récipient et le couvercle sont correctement montés. Attendre jusqu'à 30 minutes avant d'essayer de remettre l'appareil en marche. Le cas échéant, faire appel à un professionnel compétent.

DÉFAUT : faible capacité ou mauvais résultats en utilisation avec le coupe-légumes

MESURES : Choisir l'accessoire tranchant approprié. Utiliser impérativement le plateau répartiteur. Vérifier que les couteaux et les râpes sont intacts et bien coupants. Exercer une pression plus légère sur le produit à traiter.

DÉFAUT : faible capacité ou mauvais résultats en utilisation avec le couteau/le récipient

MESURES : Couper le produit en morceaux plus petits et de mêmes dimensions (max. 3x3x3 cm). Raccourcir ou prolonger le temps de préparation. Préparer une plus petite quantité à la fois. Le racleur doit toujours être monté et il doit être utilisé à des fins prévus.

DÉFAUT : Il n'est pas possible d'enlever l'accessoire tranchant en utilisation avec le coupe-légumes.

MESURES : Utiliser impérativement le plateau répartiteur. Utiliser un gant épais, que les arêtes tranchantes de l'accessoire tranchant ne risquent pas de traverser, et libérer l'accessoire en le tournant dans le sens des aiguilles d'une montre.

CARACTÉRISTIQUES TECHNIQUES HALLDE CC-34

QUANTITÉS ET VOLUMES : jusqu'à 2 kg par minute avec le coupe-légumes, selon l'accessoire tranchant choisi et la nature du produit traité. Volume du coupe-légumes : 0,9 litre. Diamètre de la goulotte d'alimentation : 53 mm. Couteau/récipient : Volume brut du récipient : 3 litres. Contenance nette du récipient, liquide fluide : 1,4 litre.

BLOC MOTEUR : Moteur : 1,0 kW. 100 à 120 V, monophasé, 50 à 60 Hz. 220 à 240 V, monophasé, 50 à 60 Hz. Protection thermique du moteur. Transmission par courroie crantée ne nécessitant pas d'entretien. Système de sécurité : deux disjoncteurs de sécurité. Classe d'isolation : IP34. Branchement secteur : prise murale avec terre, alimentation monophasée, 10 A. Fusible dans l'armoire à fusibles du local : 10 A, à action différée. Niveau sonore : LpA (EN31201): 76 dBA (coupe) et 82 dBA (hachage). Champ magnétique : inférieur à 0,1 microtesla.

RÉGLAGE DE LA VITESSE : quatre vitesses (HÄLLDE 4-Speed) pour un résultat parfait en utilisation tant avec le coupe-légumes qu'avec le couteau/le récipient. Réglage de vitesse automatique (HÄLLDE Auto-Speed) détectant si le coupe-légumes ou l'accessoire tranchant/le récipient est en place. Lors de la coupe à l'aide du coupe-légumes, le moteur tourne à 500 tr/min en position « I » et à 800 tr/min en position « II » et pendant l'hachage à l'aide du couteau/récipient, il tourne à 1 450 tr/min en position « I » et à 2 650 tr/min en position « II ». En position "P" (marche intermittente), la vitesse est de 2 650 tr/min pour le hachage à l'aide du couteau/récipient.

ACCESSOIRES TRANCHANTS ET COUPEAU DE HACHAGE : Diamètre des accessoires tranchants : 185 mm. Diamètre du couteau de hachage : 170 mm.

POIDS NETS : Bloc moteur : 8,6 kg. Ensemble coupe-légumes mais sans accessoires tranchants : 1 kg. Accessoires tranchants : env. 0,3 kg en moyenne. Ensemble de hachage rapide complet mais sans couteau : 1,4 kg.

NORMES : NORME NSF 8, cf. déclaration de la conformité.

ΟΔΗΓΙΕΣ ΧΡΗΣΗΣ

HALLDE CC-34

[GR]

ΠΡΟΣΟΧΗ!

Προσέχετε ιδιαίτερως να μην τραυματίσετε τα χέρια σας στις αιχμηρές λεπίδες του μαχαιριού και τα κινούμενα μέρη.

Μεταφέρετε πάντα τη συσκευή από τις δύο λαβές που βρίσκονται στις πλευρές της βάσης της συσκευής.

Μη βάζετε ποτέ τα χέρια σας μέσα στον κάδο, στο τμήμα τροφοδοσίας ή στον κύλινδρο τροφοδοσίας του προσαρτώμενου εξαρτήματος επεξεργασίας λαχανικών.

Χρησιμοποιείτε πάντα τη ράβδο πίεσης όταν κόβετε υλικά χρησιμοποιώντας τον κύλινδρο τροφοδοσίας του προσαρτώμενου εξαρτήματος επεξεργασίας λαχανικών.

Απενεργοποιείτε πάντα τη συσκευή πριν την καθαρίσετε, μετακινώντας το χειριστήριο ταχυτήτων στη θέση «Ο» και στη συνέχεια βγάζοντας το φιντ τροφοδοσίας από την πρίζα τοίχου ή, εναλλακτικά, σηκώνοντας τον διακόπτη απομόνωσης.

Κρατάτε πάντοτε τη λαβή του προσαρτώμενου εξαρτήματος επεξεργασίας λαχανικών όταν ανοίγετε ή κλείνετε το τμήμα τροφοδοσίας.

Μόνος ένας εξειδικευμένος τεχνικός επιτρέπεται να επισκευάζει την συσκευή και να ανοίγει το περίβλημά της.

Μην χρησιμοποιείτε το προσαρτώμενο εξάρτημα επεξεργασίας λαχανικών για κοπή κατεψυγμένων προϊόντων. Αφαιρείτε όλα τα σκληρά κομμάτια των τροφίμων πριν την κοπή τους, (π.χ. κοτσάνια μήλων, ξυλώδης βλαστός γογγυλιού κλπ.), ώστε να μην προκληθούν βλάβες στις λεπίδες κοπής.

Αυτή η συσκευή δεν πρέπει να χρησιμοποιείται από παιδιά ή άτομα με μειωμένες σωματικές, αισθητηριακές ή διανοητικές ικανότητες ή πρόσωπα που στερούνται εμπειρίας στις συσκευές αυτές, εκτός εάν έχει γίνει επαρκής εκπαίδευση ή υπάρχει εποπτεία.

ΑΦΑΙΡΕΣΗ ΑΠΟ ΤΗ ΣΥΣΚΕΥΑΣΙΑ

Ελέγξτε ότι περιλαμβάνονται όλα τα εξαρτήματα, ότι η συσκευή λειτουργεί, και ότι δεν υπέστη βλάβες κατά τη μεταφορά της. Τυχόν αξιώσεις πρέπει να υποβάλλονται στον προμηθευτή της συσκευής εντός οχτώ ημερών από την παράδοση.

ΕΓΚΑΤΑΣΤΑΣΗ

Πριν την εγκατάσταση αφαιρέστε το μαχαίρι από τον κάδο.

Συνδέστε τη συσκευή σε μια κεντρική παροχή ηλεκτρικού ρεύματος με προδιαγραφές που συμφωνούν με τις πληροφορίες που αναγράφονται στην πινακίδα στοιχείων που βρίσκεται στο πίσω μέρος της βάσης της συσκευής.

Τοποθετήστε τη συσκευή σε ένα σταθερό πάγκο εργασίας ή σε ένα τραπέζι ύψους 650-900 mm.

Τοποθετήστε το στήριγμα τοίχου για τα εργαλεία κοπής και την πλάκα εξαγωγής σ' ένα τοίχο κοντά στη συσκευή.

ΑΠΑΡΑΙΤΗΤΟΙ ΕΛΕΓΧΟΙ ΠΡΙΝ ΤΗ ΧΡΗΣΗ

ΜΕ ΤΟ ΠΡΟΣΑΡΤΩΜΕΝΟ ΕΞΑΡΤΗΜΑ ΕΠΕΞΕΡΓΑΣΙΑΣ ΛΑΧΑΝΙΚΩΝ:

Αφαιρέστε το φιντ τροφοδοσίας από τη πρίζα ή σηκώστε τον διακόπτη απομόνωσης, και στη συνέχεια ελέγξτε ότι το ηλεκτρικό καλώδιο είναι σε καλή κατάσταση και δεν έχει ρωγμές στο εξωτερικό του περίβλημα.

Αφαιρέστε το προσαρτώμενο εξάρτημα επεξεργασίας λαχανικών, τα εργαλεία κοπής και την πλάκα εξαγωγής σύμφωνα με τις οδηγίες της ενότητας «Αποσυναρμολόγηση» και στη συνέχεια ελέγξτε ότι η συσκευή δεν θα τίθεται σε λειτουργία όταν το χειριστήριο ταχυτήτων βρίσκεται στη θέση «II».

Συναρμολογήστε τη συσκευή σύμφωνα με τις οδηγίες που περιλαμβάνονται στην ενότητα «Συναρμολόγηση». Ορίστε το κομβίο ρύθμισης ταχυτήτων στη θέση «II». Ελέγξτε ότι η συσκευή σταματά να λειτουργεί, η λαβή του προσαρτώμενου εξαρτήματος επεξεργασίας λαχανικών σηκώνεται, και ο άξονας σταματά να περιστρέφεται εντός 2 δευτερολέπτων. Στη συνέχεια ελέγξτε ότι η συσκευή τίθεται ξανά σε λειτουργία όταν κατεβάζετε τη λαβή.

Ελέγξτε ότι τα ελαστικά πόδια που βρίσκονται στη βάση της συσκευής είναι καλά βιδωμένα στη θέση τους.

Για τα εργαλεία κοπής, ανατρέξτε στις σελίδες 55.

Σε περίπτωση που προκληθεί κάποια βλάβη ή δυσλειτουργία, καλέστε έναν εξειδικευμένο τεχνικό για να διορθώσει τη βλάβη προτού χρησιμοποιήσετε τη συσκευή.

ΜΕ ΤΟ ΠΡΟΣΑΡΤΩΜΕΝΟ ΕΞΑΡΤΗΜΑ ΚΟΠΗΣ/ΚΑΔΟ:

Αφαιρέστε το φιντ τροφοδοσίας από τη πρίζα ή σηκώστε τον διακόπτη απομόνωσης, και στη συνέχεια ελέγξτε ότι το ηλεκτρικό καλώδιο είναι σε καλή κατάσταση και δεν έχει ρωγμές στο εξωτερικό του περίβλημα.

Προσαρμόστε τον κάδο, το μαχαίρι και το καπάκι. Ορίστε το χειριστήριο ταχύτητας στη θέση «II» και ελέγξτε ότι ο άξονας σταματά να

περιστρέφεται εντός 4 δευτερολέπτων από τη στιγμή που σηκώνετε το καπάκι και το γυρίζετε αριστερόστροφα όσο πάει.

Αφαιρέστε το καπάκι, το μαχαίρι και τον κάδο. Γυρίστε το χειριστήριο ταχυτήτων στη θέση «II» και ελέγξτε ότι η συσκευή δεν τίθεται σε λειτουργία.

Ελέγξτε ότι τα ελαστικά πόδια της συσκευής είναι καλά βιδωμένα στη θέση τους.

Βεβαιωθείτε ότι τα μαχαίρια είναι σε καλή κατάσταση και αιχμηρά.

Σε περίπτωση που προκληθεί κάποια βλάβη ή δυσλειτουργία, καλέστε έναν εξειδικευμένο τεχνικό για να διορθώσει τη βλάβη προτού χρησιμοποιήσετε τη συσκευή.

ΕΙΔΗ ΕΠΕΞΕΡΓΑΣΙΑΣ

ΜΕ ΤΟ ΠΡΟΣΑΡΤΩΜΕΝΟ ΕΞΑΡΤΗΜΑ ΕΠΕΞΕΡΓΑΣΙΑΣ ΛΑΧΑΝΙΚΩΝ:

Κόβει σε φέτες, τρίβει, τεμαχίζει, κόβει σε ζουλιέν και σε κυματοειδείς φέτες, σε ποικιλία διαστάσεων ανάλογα με το εργαλείο κοπής που θα επιλέξετε. Επεξεργάζεται λαχανικά, φρούτα, ξηρό ψωμί, τυρί, ξηρούς καρπούς, μανιτάρια κτλ.

Το μεγάλο τμήμα τροφοδοσίας χρησιμοποιείται κυρίως για μαζική εισαγωγή διαφόρων προϊόντων (βλ. εικόνα) και για κοπή μεγαλύτερων προϊόντων, όπως τα λάχανα.

Το μεγάλο τμήμα τροφοδοσίας χρησιμοποιείται επίσης για τρόφιμα που πρέπει να κοπούν προς μία ορισμένη κατεύθυνση, όπως συμβαίνει με τις τομάτες και τα λεμόνια. Τοποθετήστε/στοιβάξτε τα προϊόντα όπως φαίνεται στην εικόνα.

Ο ενσωματωμένος κύλινδρος τροφοδοσίας χρησιμοποιείται για την κοπή μακρόστενων προϊόντων, όπως τα αγγούρια (βλ. εικόνα).

ΜΕ ΤΟ ΠΡΟΣΑΡΤΩΜΕΝΟ ΕΞΑΡΤΗΜΑ ΚΟΠΗΣ/ΚΑΔΟ:

Κόβει, αλέθει και αναμειγνύει κιμά, αρωματικό βούτυρο, μαρινάδες, επιδόρπια, πουρέ, πατέ, σουπές, κτλ. Επεξεργάζεται κρέας, ψάρια, φρούτα, λαχανικά, κρεμμύδια, μαϊντανό, ξηρούς καρπούς, αμύγδαλα, παρμεζάνα, μανιτάρια, σοκολάτα κτλ.

ΧΡΗΣΤΕΣ

Εστιατόρια, κουζίνες καταστημάτων, καφετέριες, φούρνοι, κουζίνες νοσοκομείων, οικί ευγηρίας, σχολεία, εστιατόρια γρήγορου φαγητού, παιδικό σταθμοί, μπουφέ με σαλάτες κτλ.

ΧΩΡΗΤΙΚΟΤΗΤΑ

ΟΤΑΝ ΧΡΗΣΙΜΟΠΟΙΕΙΤΕ ΤΟ ΠΡΟΣΑΡΤΩΜΕΝΟ ΕΞΑΡΤΗΜΑ ΕΠΕΞΕΡΓΑΣΙΑΣ ΛΑΧΑΝΙΚΩΝ:

Έως 80 μερίδες ανά ημέρα και 2 kg ανά λεπτό.

ΟΤΑΝ ΧΡΗΣΙΜΟΠΟΙΕΙΤΕ ΤΟ ΠΡΟΣΑΡΤΩΜΕΝΟ ΕΞΑΡΤΗΜΑ ΚΟΠΗΣ/ΚΑΔΟΣ:

Η ποσότητα και το μέγεθος των κομματιών που μπορεί να επεξεργαστεί ταυτόχρονα η συσκευή, καθώς και η διάρκεια της επεξεργασίας εξαρτώνται από τη σύσταση των τροφίμων και το επιθυμητό αποτέλεσμα.

Για να επιτευχθεί ένα ομοιογενές και καλό αποτέλεσμα με τα σκληρά τρόφιμα, όπως το κρέας, το τυρί κτλ. πρέπει πρώτα να τα τεμαχίσετε σε σχεδόν ισομεγέθη κομμάτια, έως 3x3x3cm.

Οι μέγιστες συνιστώμενες ποσότητες που μπορεί να επεξεργαστεί η συσκευή ταυτόχρονα παρατίθενται στην παρακάτω λίστα.

- Κρέας: 1 kg
- Ψάρι 1 kg
- Αρωματικό Βούτυρο: 1 kg
- Μαγιονέζα: 1 λίτρο
- Μαϊντανός: 1 λίτρο

ΞΕΣΤΡΟ

ΠΡΟΣΑΡΤΩΜΕΝΟ ΕΡΓΑΛΕΙΟ ΚΟΠΗΣ/ΚΑΔΟΣ

Να έχετε πάντα προσαρτημένο το ξέστρο σε όλα τα είδη επεξεργασίας, καθώς οι τέσσερις λεπίδες του ξέστρου επιβραδύνουν την περιστροφή των τροφίμων στον κάδο και σπρώχνουν τα τρόφιμα προς το κέντρο/ζώνη κοπής του κάδου.

Μετακινώντας τη λαβή του ξέστρου προς τα πίσω και προς τα εμπρός καθαρίζετε εύκολα τα τοιχώματα του κάδου και συγκεντρώνετε τα τρόφιμα στη ζώνη κοπής, ενώ η συσκευή βρίσκεται σε λειτουργία.

ΣΥΝΑΡΜΟΛΟΓΗΣΗ

ΤΟ ΠΡΟΣΑΡΤΩΜΕΝΟ ΕΞΑΡΤΗΜΑ ΕΠΕΞΕΡΓΑΣΙΑΣ ΛΑΧΑΝΙΚΩΝ:

Τοποθετήστε την πλάκα εξαγωγής στον άξονα, γυρίστε την, και πιέστε την μέσα στην σύζευξή της.

Στη συνέχεια τοποθετήστε τα επιλεγμένα εργαλεία κοπής στον άξονα και περιστρέψτε τα ώστε να μπουν στην σύζευξή τους.

Για την κοπή σε κύβους: τοποθετήστε το πλέγμα για την κοπή σε κύβους με την κοφτερή πλευρά των μαχαιριών προς τα πάνω, ώστε η εγκοπή στην πλευρά του πλέγματος να ταιριάζει με την εγκοπή-οδηγό στη βάση της συσκευής. Στη συνέχεια τοποθετήστε το εργαλείο κοπής για κόψιμο σε φέτες στον άξονα και περιστρέψτε το για να μπει στην σύζευξή του.

Τοποθετήστε το προσαρτώμενο εξάρτημα επεξεργασίας λαχανικών στη βάση της συσκευής, με τέτοιο τρόπο ώστε το κείμενο «Close Open» να βρίσκεται στην ώρα 5 σε σχέση με το σημείο εξόδου της βάσης της μηχανής και περιστρέψτε το εξάρτημα προς τα δεξιά όσο πάει για να σταθεροποιηθεί στη θέση του.

ΤΟ ΠΡΟΣΑΡΤΩΜΕΝΟ ΕΞΑΡΤΗΜΑ ΚΟΠΗΣ/ΚΑΔΟΣ:

Τοποθετήστε τον κάδο στη βάση της συσκευής ώστε η πλάκα τοποθέτησης του να μπει στην εσοχή που βρίσκεται επάνω στη βάση της συσκευής.

Τοποθετήστε το μαχαίρι στον άξονα και περιστρέψτε το, ενώ ταυτόχρονα το πιέζετε προς τα κάτω για να μπει εντελώς μέσα στην σύζευξή του.

Τοποθετήστε τον δακτύλιο στεγανοποίησης μέσα στην εγκοπή που βρίσκεται στην εσωτερική πλευρά του καπακιού.

Κρατήστε το κέντρο του δακτυλίου του ξέστρου και τοποθετήστε το καπάκι πάνω στον δακτύλιο του ξέστρου.

Τοποθετήστε τη λαβή του ξέστρου επάνω και τον δακτύλιο του ξέστρου κάτω από το καπάκι. Γυρίστε τη λαβή του ξέστρου αριστερόστροφα όσο πάει μέσα στο δακτύλιο του ξέστρου για να ενώσετε τα τρία μέρη.

Τοποθετήστε το καπάκι στον κάδο με τέτοιο τρόπο ώστε το κείμενο «Κλειστό - Ανοιχτό» να βρίσκεται στην ώρα 5 σε σχέση με το σημείο εξόδου επί της βάσης της συσκευής.

Γυρίστε το καπάκι δεξιόστροφα όσο πάει.

ΑΠΟΣΥΝΑΡΜΟΛΟΓΗΣΗ

ΤΟ ΠΡΟΣΑΡΤΩΜΕΝΟ ΕΞΑΡΤΗΜΑ ΕΠΕΞΕΡΓΑΣΙΑΣ ΛΑΧΑΝΙΚΩΝ:

Γυρίστε το προσαρτώμενο εξάρτημα επεξεργασίας λαχανικών αριστερόστροφα όσο πάει και στη συνέχεια σηκώστε το για να το αφαιρέσετε.

Γυρίστε το εργαλείο κοπής δεξιόστροφα και σηκώστε το για να το αφαιρέσετε.

Αφαιρέστε το πλέγμα για κοπή κύβων.

Βγάλτε την πλάκα εξαγωγής.

ΤΟ ΠΡΟΣΑΡΤΩΜΕΝΟ ΕΞΑΡΤΗΜΑ ΚΟΠΗΣ/ΚΑΔΟΣ:

Γυρίστε το καπάκι αριστερόστροφα όσο πάει και αφαιρέστε το καπάκι/ξέστρο.

Πιέστε μαζί τον δακτύλιο του ξέστρου και τη λαβή του ξέστρου, ενώ περιστρέψτε τη λαβή του ξέστρου δεξιόστροφα όσο πάει και χωρίστε τα τρία μέρη.

Περιστρέψτε το μαχαίρι αριστερόστροφα όσο πάει, αφαιρέστε το μαχαίρι και απομακρύνετε τον κάδο. Εάν τα περιεχόμενα του κάδου είναι σε υγρή μορφή, τότε αδειάστε τον κάδο προτού αφαιρέσετε το μαχαίρι.

ΧΡΗΣΗ ΤΟΥ ΧΕΙΡΙΣΤΗΡΙΟΥ ΤΑΧΥΤΗΤΩΝ

Κατά τη διάρκεια της κοπής ευαίσθητων τροφίμων όπως οι τομάτες κτλ. σε κύβους ή φέτες, σας συνιστούμε να θέσετε το χειριστήριο ταχυτήτων στη θέση «I» για πιο αργή/απαλή επεξεργασία και βέλτιστα αποτελέσματα.

Όταν το χειριστήριο ταχυτήτων βρίσκεται

στη θέση «O» τότε η συσκευή είναι απενεργοποιημένη. Στη θέση «I» η συσκευή λειτουργεί αδιάκοπα σε χαμηλή ταχύτητα και στη θέση «II» αδιάκοπα σε υψηλή ταχύτητα. Στη θέση «P» [παλμός] η συσκευή λειτουργεί ώσπου να ελευθερωθεί το χειριστήριο ταχυτήτων (προσαρτώμενο εξάρτημα κοπής/κάδος).

ΚΑΘΑΡΙΣΜΟΣ

Διαβάστε τις οδηγίες προτού ξεκινήσετε τον καθαρισμό της συσκευής.

ΠΡΙΝ ΤΟΝ ΚΑΘΑΡΙΣΜΟ: Απενεργοποιείτε πάντα τη συσκευή και αφαιρείτε το φιλτράρισμα τροφίμων από την πρίζα. Εναλλακτικά, εάν η συσκευή δεν έχει φιλτράρισμα, σηκώνετε το διακόπτη ηλεκτρικής απομόνωσης. Αφαιρείτε όλα τα αποσπώμενα μέρη που πρόκειται να καθαριστούν. Εάν η συσκευή είναι εξοπλισμένη με ένα κάθετο εργαλείο κοπής/ανάμειξης αφαιρέστε ακόμη τις λεπίδες του ξέστρου και τον δακτύλιο στεγανοποίησης.

ΠΛΥΣΙΜΟ ΣΤΟ ΠΛΥΝΤΗΡΙΟ ΠΙΑΤΩΝ: Όλα τα αποσπώμενα μέρη πλένονται στο πλυντήριο πιάτων.

ΠΛΥΣΙΜΟ ΣΤΟ ΧΕΡΙ: Χρησιμοποιείτε πάντα απορρυπαντικό για πλύσιμο στο χέρι.

ΠΡΟΙΟΝΤΑ ΚΑΘΑΡΙΣΜΟΥ: Χρησιμοποιείτε βούρτσες ειδικές για το πλύσιμο των πιάτων για να καθαρίζετε τα εξαρτήματα που έρχονται σε επαφή με τα τρόφιμα. Μπορείτε να καθαρίζετε τον άξονα του μαχαιριού στο κέντρο της συσκευής με μια μικρή βούρτσα για μπουκάλια. Χρησιμοποιείτε ένα βρεγμένο πανί για να καθαρίζετε τις υπόλοιπες επιφάνειες της συσκευής.

ΑΠΟΛΥΜΑΝΣΗ: Χρησιμοποιείτε ισοπροπυλική αλκοόλη (65–70%). Η ισοπροπυλική αλκοόλη είναι εξαιρετικά εύφλεκτη, για αυτό να την χρησιμοποιείτε με προσοχή.

ΠΡΟΕΙΔΟΠΟΙΗΣΗ:

- Μη χύνετε ή πετάτε νερό στα πλάγια της συσκευής.
- Μη χρησιμοποιείτε υποχλωριώδες νάτριο (χλωρίνη) ή άλλα προϊόντα που εμπεριέχουν αυτήν την ουσία.
- Μη χρησιμοποιείτε αιχμηρά αντικείμενα ή άλλα αντικείμενα που δεν προορίζονται για τον καθαρισμό.
- Μη χρησιμοποιείτε διαβρωτικά απορρυπαντικά ή καθαριστικά προϊόντα.

ΑΠΟΦΕΥΓΕΤΕ: Μη χρησιμοποιείτε σφουγγάρια με σκληρές επιφάνειες (π.χ. Scotch-Brite™), εκτός και αν η χρήση τους είναι απολύτως απαραίτητη. Η χρήση αυτών των προϊόντων σκληραίνει την επιφάνεια και την κάνει λιγότερο αδιάβροχη.

ΣΥΜΒΟΥΛΕΣ ΓΙΑ ΤΗΝ ΦΡΟΝΤΙΔΑ:

- Καθαρίζετε τη συσκευή αμέσως μετά τη χρήση.
- Στεγνώνετε τη συσκευή αμέσως μετά τον καθαρισμό για να αποφύγετε την οξείδωση και τον αποχρωματισμό της επιφάνειας.

ΠΛΗΡΟΦΟΡΙΕΣ: Εάν η συσκευή παραμένει βρεγμένη για μεγάλα διαστήματα, θα εμφανιστούν λεκέδες. Οι λεκέδες αυτοί δεν προκαλούν βλάβες, όμως η αρχική επιφάνεια θα χάσει τη λάμψη της. Τα λαχανικά και τα φρούτα περιέχουν οξέα. Το είδος των προϊόντων που επεξεργάζεται η συσκευή επηρεάζει το μεταλλικό υλικό κατασκευής της σε διαφορετικούς χρόνους. Πρέπει, επομένως, να καθαρίζετε τη συσκευή αμέσως μετά την επεξεργασία αλμυρών και όξινων προϊόντων.

ΑΝΤΙΜΕΤΩΠΙΣΗ ΠΡΟΒΛΗΜΑΤΩΝ

Για να αποφευχθεί ο κίνδυνος πρόκλησης βλαβών στον κινητήρα, η συσκευή CC-34 διαθέτει θερμική προστασία κινητήρα, η οποία απενεργοποιεί αυτομάτως τη συσκευή εάν ο κινητήρας υπερθερμανθεί. Η θερμική προστασία κινητήρα διαθέτει λειτουργία αυτόματης επανεκκίνησης, κάτι που σημαίνει ότι η συσκευή τίθεται ξανά σε λειτουργία μόλις κρυώσει ο κινητήρας, διαδικασία που απαιτεί 10 με 30 λεπτά.

ΣΦΑΛΜΑ: Η συσκευή δεν τίθεται σε λειτουργία ή σταματά ενώ λειτουργεί και δεν μπορεί να τεθεί ξανά σε λειτουργία.

ΑΝΤΙΜΕΤΩΠΙΣΗ: Ελέγξτε ότι το φως τροφοδοσίας είναι τοποθετημένο σωστά στην πρίζα τοίχου ή εναλλακτικά ορίστε τον κεντρικό διακόπτη στη θέση «I». Βεβαιωθείτε ότι οι ασφάλειες στον πίνακα ελέγχου των εγκαταστάσεων δεν έχουν καεί και έχουν τη σωστή τάση. Ελέγξτε ότι το προσαρτώμενο εξάρτημα επεξεργασίας λαχανικών έχει τοποθετηθεί σωστά και ότι η λαβή της συσκευής είναι κατεβασμένη. Βεβαιωθείτε ότι ο κάδος και το καπάκι έχουν τοποθετηθεί σωστά. Περιμένετε έως και 30 λεπτά και στη συνέχεια επιχειρήστε να θέσετε ξανά σε λειτουργία τη συσκευή. Εάν αποτύχετε, καλέστε έναν εξειδικευμένο τεχνικό.

ΣΦΑΛΜΑ: Χαμηλή απόδοση ή μη ικανοποιητικά αποτελέσματα κατά τη χρήση του προσαρτώμενου εξαρτήματος επεξεργασίας λαχανικών.

ΑΝΤΙΜΕΤΩΠΙΣΗ: Επιλέξτε το κατάλληλο εργαλείο κοπής. Χρησιμοποιείτε πάντα την πλάκα εξαγωγής. Ελέγξτε ότι τα μαχαίρια και οι πλάκες του τρίφτη είναι ακέραια και αιχμηρά. Πιέστε τα τρόφιμα προς τα κάτω χωρίς να ασκείτε μεγάλη δύναμη.

ΣΦΑΛΜΑ: Χαμηλή απόδοση ή μη ικανοποιητικά αποτελέσματα κατά τη χρήση του προσαρτώμενου εξαρτήματος κοπής/κάδου.

ΑΝΤΙΜΕΤΩΠΙΣΗ: Χωρίστε τα τρόφιμα σε μικρότερα, ομοιόμορφα κομμάτια, διαστάσεων έως 3x3x3 cm. Επεξεργαστείτε τα για μικρότερο ή μεγαλύτερο διάστημα. Επεξεργαστείτε μικρότερες ποσότητες κάθε φορά. Έχετε πάντα το ξέστρο τοποθετημένο και χρησιμοποιείτε το, όταν το χρειάζεστε.

ΣΦΑΛΜΑ: Δεν μπορείτε να αφαιρέσετε το εργαλείο κοπής όταν χρησιμοποιείτε το

προσαρτώμενο εξάρτημα επεξεργασίας λαχανικών.

ΑΝΤΙΜΕΤΩΠΙΣΗ: Χρησιμοποιείτε πάντα την πλάκα εξαγωγής. Φορέστε ένα χοντρό δερμάτινο γάντι ή άλλο γάντι που δεν μπορούν να διαπεράσουν οι λεπίδες του εργαλείου κοπής και αφαιρέστε το εργαλείο κοπής γυρίζοντάς το προς τα δεξιά.

ΤΕΧΝΙΚΕΣ ΠΡΟΔΙΑΓΡΑΦΕΣ ΤΗΣ CC-34 ΤΗΣ HALLDE

ΧΩΡΗΤΙΚΟΤΗΤΑ ΚΑΙ ΟΓΚΟΣ: Μπορεί να επεξεργάζεται έως και 2 kg ανά λεπτό με το προσαρτώμενο εξάρτημα επεξεργασίας λαχανικών, ανάλογα με τον τύπο του εργαλείου κοπής και το είδος των τροφίμων. Όγκος του προσαρτώμενου εξαρτήματος επεξεργασίας λαχανικών: 0,9 λίτρα. Διάμετρος του κυλίνδρου τροφοδοσίας: 53mm. Πρόσθετο εξάρτημα κοπής/κάδος: μεικτός όγκος του κάδου: 3 λίτρα. Καθαρός όγκος του κάδου με υγρό που ρέει ελεύθερα: 1,4 λίτρα.

ΒΑΣΗ ΣΥΣΚΕΥΗΣ: Κινητήρας: 1,0 kW. 100-120 V, μονοφασικός, 50-60 Hz. 220-240 V, μονοφασικός, 50/60 Hz. Θερμική προστασία κινητήρα. Μετάδοση κίνησης: οδοντωτός μάντλας που δεν χρειάζεται συντήρηση. Σύστημα ασφαλείας: Διπλός διακόπτης ασφαλείας. Βαθμός προστασίας: IP34. Φως τροφοδοσίας: Γειωμένη, μονοφασική, 10 A. Ασφάλεια στον πίνακα ασφαλειών των εγκαταστάσεων: 10 A, με καθυστέρηση. Επίπεδο ήχου: LpA (EN31201): 76 dBA κατά την κοπή και 82 dBA κατά το τεμάχισμα. Μαγνητικό πεδίο: Μικρότερο από 0,1 microtesla.

ΧΕΙΡΙΣΤΗΡΙΑ ΚΑΙ ΤΑΧΥΤΗΤΕΣ: Τέσσερις ταχύτητες (HALLDE 4-Speed) για τέλεια αποτελέσματα κατά την επεξεργασία με τη χρήση τόσο του προσαρτώμενου εξαρτήματος επεξεργασίας λαχανικών όσο και του προσαρτώμενου εξαρτήματος κοπής/κάδου. Αυτόματη ρύθμιση ταχύτητας [HALLDE AUTO-SPEED] που ανιχνεύει εάν έχει τοποθετηθεί το προσαρτώμενο εξάρτημα επεξεργασίας λαχανικών ή το προσαρτώμενο εξάρτημα κοπής/κάδος. Κατά την κοπή με το προσαρτώμενο εξάρτημα επεξεργασίας λαχανικών, η συσκευή λειτουργεί στις 500 στροφές ανά λεπτό στη θέση «I» και στις 800 στροφές ανά λεπτό στη θέση «II», ενώ κατά την κοπή με το προσαρτώμενο εξάρτημα κοπής/κάδος στις 1450 στροφές ανά λεπτό στη θέση «I» και στις 2650 στροφές ανά λεπτό στη θέση «II». Η παλμική λειτουργία λειτουργεί στις 2650 στροφές ανά λεπτό κατά τη κοπή με το προσαρτώμενο εξάρτημα κοπής/κάδος στη θέση «P».

ΕΡΓΑΛΕΙΑ ΚΟΠΗΣ ΚΑΙ ΜΑΧΑΙΡΙ ΤΕΜΑΧΙΣΜΟΥ: Η διάμετρος των εργαλείων κοπής είναι 185 mm. Η διάμετρος του μαχαιριού τεμαχισμού είναι 170 mm.

ΚΑΘΑΡΟ ΒΑΡΟΣ: Βάση συσκευής: 8,6 kg Εξάρτημα επεξεργασίας λαχανικών, πλήρες όμως χωρίς τα εργαλεία κοπής: 1 kg Εργαλεία

κοπής: Μέσος όρος περίπου 0,3 kg. Εξάρτημα τεμαχισμού τροφίμων πλήρες αλλά χωρίς το μαχαίρι: 1,4 kg

ΠΡΟΤΥΠΑ: NSF STANDARD 8, ανατρέξτε στη δήλωση συμμόρφωσης.

UPUTE ZA KORISNIKA

HALLDE CC-34

(HR)

OPREZI!

Budite vrlo oprezni, posebice pripazite na vaše ruke prilikom rukovanja s oštrim oštricama noža i pokretnim dijelovima.

Uvijek prenosite stroj držeći ga za dvije ručke sa strana baze stroja.

Nikada ne stavljajte ruke u posudu, u odjeljak za punjenje ili u cijev za punjenje nastavka za pripremu povrća.

Uvijek koristite tučak za vrijeme rezanja s cijevi za punjenje nastavka za pripremu povrća.

Prije čišćenja stroja, uvijek ga isključite okretanjem regulatora brzine u položaj "O" i zatim izvucite utikač iz zidne utičnice, ili okrenite izolacijski prekidač.

Uvijek držite nastavak za pripremu povrća za ručku kada je otvoren ili zatvoren odjeljak za punjenje.

Samo ovlašteni serviser smije obavljati popravke stroja i otvarati kućište stroja.

Nemojte koristiti nastavak za pripremu povrća za rezanje zaleđene hrane. Prije rezanja uklonite sve krute dijelove iz hrane (npr. peteljke jabuke, drvenaste dijelove repe, itd.)

kako bi se izbjegla oštećenja oštrica za rezanje

Ovim uređajima ne smiju rukovati djeca ili osobe smanjenih fizičkih, osjetilnih ili mentalnih sposobnosti ili osobe s nedostatnim iskustvom rada s takvim uređajima, osim ukoliko im se pruže odgovarajuće upute ili nadzor.

RASPAKIRAVANJE

Provjerite jesu li uključeni svi dijelovi, radi li stroj i da ništa nije oštećeno tijekom isporuke. Reklamacije treba uputiti dobavljaču stroja u roku od osam dana.

MONTAŽA

Prije montaže, uklonite nož iz posude.

Priključite stroj na električnu mrežu sa specifikacijom u skladu s pojedinostima navedenim na pločici s podacima na poleđini baze stroja.

Postavite stroj na čvrstu klupu ili stol visine od 650-900 mm.

Montirajte zidnu policu za alate za rezanje i izlazni poklopac na zidu u blizini stroja.

UVIJEK PROVJERITE PRIJE UPORABE

S NASTAVKOM ZA PRIPREMU POVRĆA:

Izvucite utikač iz utičnice ili okrenite izolacijski prekidač i zatim provjerite je li električni kabel u dobrom stanju i da nema vanjskih napuklina.

Uklonite nastavak za pripremu povrća, sve alate za rezanje i izlazni poklopac u skladu s uputama pod naslovom "Rastavljanje" i zatim provjerite da se stroj neće pokrenuti kada je regulator brzine u položaju "II".

Montirajte stroj u skladu s uputama pod naslovom "Sastavljanje". Postavite gumb za podešavanje brzine u položaj "II". Provjerite da li se stroj zaustavlja kada je podignuta ručka nastavka za pripremu povrća i da li se zaustavlja rotiranje osovine/vratila unutar 2 sekunde. Zatim provjerite da li se stroj ponovno pokreće kada je ručka spuštena.

Provjerite jesu li gumene nogice stroja čvrsto pričvršćene.

Za alate za rezanje, vidjeti stranice 55.

U slučaju bilo kakvog kvara ili greške, pozovite ovlaštenog serviseru za popravak kvara prije korištenja stroja.

S NASTAVKOM ZA REZAČ/POSUDU:

Izvucite utikač iz utičnice ili okrenite izolacijski prekidač i zatim provjerite je li električni kabel u dobrom stanju i da nema vanjskih napuklina.

Namjestite posudu, nož i poklopac. Postavite regulator brzine u položaj "II" i provjerite je li se osovina prestaje rotirati unutar 4 sekunde nakon što se ukloni poklopac okretanjem poklopca u smjeru suprotnom od kazaljke na satu do krajnje točke.

Uklonite poklopac, nož i posudu. Okrenite regulator brzine u položaj "II" i provjerite da stroj nije počeo raditi.

Provjerite jesu li gumene nogice stroja čvrsto pričvršćene.

Pobrinite se da su noževi u dobrom stanju i oštri.

U slučaju bilo kakvog kvara ili greške, pozovite ovlaštenog serviseru za popravak kvara prije uporabe stroja.

NAČIN OBRADE

S NASTAVKOM ZA PRIPREMU POVRĆA:

Kriške, kockice, ribanja, usitnjavanja, julienne rezanja i nabrana rezanja u različitim dimenzijama, ovisno o odabranom alatu za rezanje. Obrađuje povrće, voće, suhi kruh, sir, orašaste plodove, gljive itd.

Veliki odjeljak za punjenje se uglavnom koristi za punjenje svih vrsta proizvoda u rasutom stanju i za rezanje većih proizvoda kao što je kupus.

Veliki odjeljak za punjenje koristi se također kada je proizvod potrebno izrezati u posebnom

smjeru, kao što su rajčice i limuni. Postavite/naslažite proizvode kao što je prikazano na slici.

Ugrađena cijev za punjenje koristi se za rezanje dugih proizvoda kao što su krastavci, vidjeti sliku.

S NASTAVKOM ZA REZAČ/POSUDU:

Sječka, melje, miješa i zamućuje mljeveno meso, aromatizirani maslac, preljev za salatu, deserte, pire, paštete, juhe itd. Priprema meso, ribu, voće, povrće, luk, peršin, orašaste plodove, bademe, parmezan, gljive, čokoladu, itd.

KORISNICI

Restorani, trgovine kuhinjama, kafici, pekarnice, djetelne kuhinje, umirovljenički domovi, škole, restorani brze hrane, centri za dnevnu skrb, saladni barovi itd.

KAPACITET

KADA SE KORISTI NASTAVAK ZA PRIPREMU POVRĆA:

Do 80 porcija dnevno i 2 kg u minuti.

KADA SE KORISTI NASTAVAK ZA REZAČ/POSUDU:

Količina i veličina komada koji se mogu obraditi odjednom i potrebno vrijeme obrade ovisi o konzistenciji hrane i željenom rezultatu.

Za dobar i jednakomjeran rezultat kod krute hrane kao što su meso i sir, treba ih prethodno odvojiti u komade približno jednake veličine i ne veće od približno 3x3x3 cm.

Maksimalne preporučene količine koje stroj treba obraditi odjednom prikazane su u nastavku ispod:

- Meso: 1 kg
- Riba: 1 kg
- Aromatizirani maslac: 1 kg
- Majoneza: 1 litra.
- Peršin: 1 litra.

STRUGALICA

NASTAVAK ZA REZAČ/POSUDU:

Uvijek pričvrstite strugalicu za vrijeme svih načina obrade budući da tri oštrice strugalice usporavaju rotaciju hrane u posudi i usmjeravaju hranu prema središtu/području rezanja u posudi.

Okretanjem ručke strugalice naprijed natrag poklopac i zidovi posude mogu se lagano postrugati i hrana vratiti u područje rezanja u tijeku rada stroja.

SASTAVLJANJE

NASTAVAK ZA PRIPREMU POVRĆA:

Postavite izlazni poklopac na osovину, okrenite izlazni poklopac i pritisnite ga u njegovu spojnicu.

Zatim stavite odabrani alat za rezanje na osovinu i okrećite ga tako da uđe u svoju spojnicu.

Za vrijeme rezanja na kockice: postavite rešetku za rezanje na kockice s oštrim rubom noževa prema gore na način da se otvor sa strane rešetke za rezanje na kockice poklopi s utorom vođice na bazi stroja. Zatim stavite rezač na osovinu i okrećite rezač tako da uđe u svoju spojnicu.

Postavite nastavak za pripremu povrća na bazu stroja tako da je tekst "Close Open" na 5 sati u odnosu na otvor baze stroja i okrenite ga u smjeru kazaljke na satu dok ne dođe do krajnje točke i bude čvrsto pozicioniran.

NASTAVAK ZA REZAČ/POSUDU:

Postavite posudu na bazu stroja na način da je ploča za fiksiranje posude umetnuta u otvor na vrhu baze stroja.

Postavite nož na osovinu i okrećite nož dok ga pritišćete prema dolje tako da u potpunosti uđe u svoju spojnicu.

Namjestite brtveni prsten u žljeb u unutrašnjosti poklopca.

Držite središte prstena strugalice i stavite poklopac na prsten strugalice.

Postavite ručku strugalice na vrh poklopca i prsten strugalice ispod njega. Okrenite ručku strugalice u smjeru suprotnom od kazaljke na satu do krajnje točke u prstenu strugalice i tri dijela su spojena.

Postavite poklopac na posudu tako da je tekst "Close Open" na 5 sati u odnosu na otvor baze stroja.

Okrenite poklopac u smjeru kazaljke na satu do krajnje točke.

RASTAVLJANJE

NASTAVAK ZA PRIPREMU POVRĆA:

Okrenite nastavak za pripremu povrća u smjeru suprotnom od kazaljke na satu do kraja i zatim ga podignite.

Okrenite alat za rezanje u smjeru kazaljke na satu i podignite ga.

Podignite rešetku za rezanje.

Podignite izlazni poklopac.

NASTAVAK ZA REZAČ/POSUDU:

Okrenite poklopac u smjeru suprotnom od kazaljke na satu do krajnje točke i podignite poklopac/strugalicu.

Zajedno pritisnite prsten strugalice i ručku strugalice dok okrećete ručku strugalice u smjeru kazaljke na satu do krajnje točke i odvojite tri dijela.

Okrećite nož u smjeru kazaljke na satu do krajnje točke, uklonite nož i podignite posudu.

Ukoliko je sadržaj posude u tekućem stanju, treba ju isprazniti prije uklanjanja noža.

UPORABA REGULATORA BRZINE

Za vrijeme rezanja na kockice i kriške osjetljive hrane kao što su rajčice, itd, preporuča se postaviti regulator brzine u položaj "I" kako bi se omogućila posebno spora/nježna obrada i najbolji rezultati.

Kada je regulator brzine u položaju "O" stroj je isključen. U položaju "I" stroj radi neprekidno pri maloj brzini, a u položaju "II" neprekidno pri velikoj brzini. U položaju "P" (pulse) stroj radi do otpuštanja regulatora brzine (nastavak za rezač/posudu).

ČIŠĆENJE

Prije početka čišćenja stroja pročitajte sve upute.

PRIJE ČIŠĆENJA: Uvijek isključite stroj i izvucite utikač iz utičnice. Ukoliko stroj nema utikač, okrenite izolacijski prekidač. Uklonite sve odvojive dijelove koje treba očistiti. Ako je stroj opremljen nastavkom za vertikalni rezač/miješalicu uklonite oštrice strugalice kao i brtveni prsten.

PRANJE U PERILICI POSUĐA: Svi odvojni dijelovi perivi su u perilici posuđa.

RUČNO PRANJE: Uvijek koristite tekućinu za ručno pranje posuđa.

SREDSTVA ZA ČIŠĆENJE: Koristite četku za posuđe kako bi očistili područja s hranom. Osovinu noža u središtu stroja može se čistiti malom četkom za pranje boca. Za brisanje drugih površina na stroju koristite vlažnu krp.

DEZINFEKCIJA: Koristite izopropilni alkohol (65-70%). Izopropilni alkohol je visoko zapaljiv pa stoga pažljivo postupajte prilikom primjene.

UPOZORENJE:

- Nemojte polijevati ili špricati vodu na stranice stroja.
- Nemojte koristiti kipuću ili vruću vodu.
- Nemojte koristiti natrijev hipoklorit (klor) ili bilo koje drugo sredstvo koje sadrži ovu supstancu.
- Nemojte koristiti oštre predmete ili bilo koje predmete koji nisu namijenjeni za čišćenje.
- Nemojte koristiti abrazivne deterdžente ili sredstva za čišćenje.

IZBJEĞAVAJTE: Nemojte koristiti spužve za čišćenje s jastučićima za ribanje (npr. Scotch-Brite™). To će površinu učiniti hrapavijom i smanjiti njenu vodoodbojnost.

SAVJETI O NJEZI:

- Nakon uporabe odmah očistite stroj.
- Nakon čišćenja odmah osušite stroj kako bi izbjegli oksidaciju i promjenu boje površine.

INFORMACIJE: Ako se stroj ostavi vlažnim dulje razdoblje, pojavit će se mrlje. Ove mrlje su bezopasne ali će izvorna površina izgubiti svoj sjaj. Povrće i voće sadrže kiseline. Ovisno o tomu koji proizvodi se obrađuju, ovo će imati utjecaj na metal nakon različitih vremenskih

intervala. Stoga je važno odmah očistiti stroj nakon obrade slanih ili kiselih proizvoda.

RJEŠAVANJE PROBLEMA

Kako bi se uklonio rizik od oštećenja motora, CC-34 opremljen je toplinskom zaštitom motora koja automatski isključuje stroj ako bi temperatura motora postala previsoka. Toplinska zaštita motora ima automatsko resetiranje, što znači da se stroj može ponovno pokrenuti kada se motor ohladi, za što je obično potrebno između 10 i 30 minuta.

KVAR: Stroj se ne može pokrenuti ili se zaustavlja za vrijeme rada i ne može se ponovno pokrenuti.

MJERE OTKLANJANJA: Provjerite je li utikač ispravno umetnut u zidnu utičnicu ili, kao alternativu, postavite glavnu sklopku u položaj "I". Provjerite da nisu pregoreli osigurači u zidnim kutijama za prostorije i da imaju ispravnu nazivnu struju u amperima. Provjerite je li ispravno namješten nastavak za pripremu povrća i je li spuštena ručka nastavka za pripremu povrća. Provjerite jesu li posuda i poklopac ispravno namješteni. Pričekajte 30 minuta i zatim pokušajte ponovno pokrenuti stroj. Pozovite ovlaštenog servisera.

KVAR: Nizak kapacitet ili slabi rezultat obrade prilikom uporabe nastavka za pripremu povrća.

MJERE OTKLANJANJA: Odaberite odgovarajući alat za rezanje. Uvijek koristite izlazni poklopac. Provjerite jesu li noževi i ploče ribeža/sječkalice cijeli i oštri. Lagano potisnite hranu manjom silom.

KVAR: Nizak kapacitet ili slabi rezultat obrade prilikom uporabe nastavka za rezač/posudu.

MJERE OTKLANJANJA: Odvojite hranu u manje komade jednakih veličina, maks. 3x3x3 cm. Obradujte u kraćem ili duljem vremenskom razdoblju. Svaki put obrađujte manju količinu. Uvijek namjestite strugalicu i koristite ju prema zahtjevima.

KVAR: Prilikom uporabe nastavka za pripremu povrća ne može se ukloniti alat za rezanje.

MJERE OTKLANJANJA: Uvijek koristite izlazni poklopac. Koristite debele kožne rukavice ili druge rukavice koje oštrice alata za rezanje ne mogu prorezati i uklonite alat za rezanje okretanjem alata u smjeru kazaljke na satu.

TEHNIČKE SPECIFIKACIJE HALLDE CC-34

KAPACITET I ZAPREMINA: Obraduje do 2 kg u minuti s nastavkom za pripremu povrća, ovisno o vrsti alata za rezanje i vrsti hrane. Zapremina nastavka za pripremu povrća: 0,9 litara. Promjer cijevi za punjenje: 53 mm. Nastavak za rezač/posudu: bruto zapremina posude: 3 litre. Neto zapremina posude sa slobodnom tekućinom: 1,4 litre.

BAZA STROJA: Motor: 1,0 kW. 100-120 V, jednofazni, 50-60 Hz. 220-240 V, jednofazni, 50/60 Hz. Toplinska zaštita motora. Prijenos:

zupčasti remen bez potrebe održavanja.
Sigurnosni sustav: Dva sigurnosna prekidača.
Stupanj zaštite: IP34. Utičnica za električno napajanje: Uzemljenje, jedna faza, 10 A.
Osigurač u kutiji s osiguračima za prostoriju: 10 A, s vremenskom odgodom. Razina zvuka: LpA (EN31201): 76 dBA za vrijeme rezanja i 82 dBA za vrijeme sjeckanja. Magnetsko polje: Manje od 0,1 mikrotlesle.

REGULATORI I BRZINE: Četiri brzine (HALLDE 4 brzine) za savršen rezultat obrade s priključenim nastavkom za pripremu povrća i nastavkom za rezač/posudu. Automatsko podešavanje brzine (HALLDE Automatska brzina) koje putem senzora registrira je li namješten nastavak za pripremu povrća ili nastavak za rezač/posudu. Za vrijeme rezanja s nastavkom za pripremu povrća stroj radi na 500 okr/min u položaju "I" i 800 okr/min u položaju "II", a za vrijeme sjeckanja s nastavkom za rezač/posudu na 1450 okr/min u položaju "I" i 2650 okr/min u položaju "II". Impulsna funkcija radi na 2650 okr/min za vrijeme sjeckanja s nastavkom za rezač/posudu, u položaju "P".

ALATI ZA REZANJE I NOŽ ZA SJECKANJE: Promjer alata za rezanje je 185 mm. Promjer noža za sjeckanje je 170 mm.

NETO TEŽINE: Baza stroja: 8,6 kg. Kompletan nastavak za pripremu povrća ali bez alata za rezanje: 1 kg. Alati za rezanje: približno 0,3 kg prosječno. Kompletan nastavak za brzo sjeckanje ali bez noža: 1,4 kg.

NORME/STANDARDI: NSF STANDARD 8, vidjeti Izjavu o sukladnosti.

NOTKUNARLEIÐ- BEININGAR

HÄLLDE CC-34

(IS)

VARÚÐ:

Varist að skera ykkur á beittum hnífum og lausum vélarhlutum.

Lyftið alltaf vélinni upp á báðum handföngum á hliðum vélarhússins.

Setjið aldrei hendurnar ofan í skálina, matarahólfið eða matarapípuna á grænmetis-skurðarbúnaðinum.

Notið ávallt stautinn þegar skorið er með matarapípunni á grænmetis-skurðarbúnaðinum.

Slökkvið alltaf á vélinni með því að snúa hraðastillingum í stöðu „O“ og taka hana úr sambandi eða slökkva á straumrofa áður en vélin er þríf.

Grípið ávallt um handfangið á grænmetis-skurðarbúnaðinum þegar matarahólfið er opnað eða lokað.

Aðeins löggiltum fagmönnum er heimilt að gera við vélina og opna vélarhúsið.

Notið ekki grænmetis-skurðarbúnaðinn til að skera frosin matvæli. Fjarlægið alla harða hluta úr matnum áður en hann er skorinn (t.d. eplakjarna, trénaða hluta næpa o.s.frv.) til að skemma ekki hnífana.

Þetta tæki er ekki ætlað til notkunar af börnum eða einstaklingum með skerta líkamlega, skyn- eða andlega getu eða skort á reynslu á tækjum sem þessu, nema viðkomandi einstaklingur hafi hlotið fullnægjandi leiðsögn eða tilsögn um notkun tækisins.

UMBÚÐIR FJARLÆGDAR

Gangið úr skugga um að allir hlutar fylgi vélinni, að vélin sé í lagi og að ekkert hafi skemmst í flutningi. Athugasemdir verða að hafa borist seljanda innan átta daga.

UPPSETNING

Fjarlægið hnífinn úr skálinni fyrir uppsetningu.

Tengið vélina við rafmagn í samræmi við upplýsingarnar á kenniplötunni aftan á vélinni.

Komið vélinni fyrir á traustum bekk eða borði sem er 650-900 mm hátt.

Festið veggfestinguna fyrir skurðarverkfærin og frárásarskífuna á vegg nálægt vélinni.

KANNIÐ ÁVALLT FYRIR NOTKUN

MEÐ

GRÆNMETISSKURÐARBÚNAÐINUM:

Takið vélina úr sambandi eða slökkvið á straumrofa og gangið síðan úr skugga um að rafmagnssnúran sé heil og ósprungin.

Fjarlægið grænmetis-skurðarbúnaðinn, öll skurðarverkfæri og frárásarskífuna samkvæmt leiðbeiningum undir liðnum „Losun“ og gangið svo úr skugga um að vélin fari ekki í gang þegar hraðastillirinn er í stöðu „II“.

Setjið upp vélina samkvæmt leiðbeiningum undir liðnum „Samsetning“. Snúið hraðastillingum í stöðu „II“. Gangið úr skugga um að vélin stöðvist þegar handfangi grænmetis-skurðarbúnaðarins er lyft upp og að öxullinn hætti að snúast innan 2 sekúndna. Gangið svo úr skugga um að vélin fari aftur í gang þegar handfangið er dregið niður.

Gangið úr skugga um að gúmmiundirstöður vélarinnar séu kirfilega skrúfaðar fastar.

Upplýsingar um skurðarverkfærin eru á síðum 55.

Kallið til löggiltan fagmann ef eitthvað er gallað eða bilað til að laga gallann áður en vélin er tekin í notkun.

MEÐ HNÍFS- OG SKÁLARBÚNAÐI:

Takið vélina úr sambandi eða slökkvið á straumrofa og gangið síðan úr skugga um að rafmagnssnúran sé heil og ósprungin.

Gangið úr skugga um að skálin, hnífurinn og lokið sitji rétt. Snúið hraðastillingum í stöðu „II“ og gangið úr skugga um að öxullinn hætti að snúast innan 4 sekúndna eftir að lokið er fjarlæggt með því að snúa því rangsælis eins langt og hægt er.

Fjarlægið lokið, hnífinn og skálina. Snúið hraðastillingum í stöðu „II“ og gangið úr skugga um að vélin fari ekki í gang.

Gangið úr skugga um að gúmmifætur vélarinnar séu kirfilega skrúfaðir fastir.

Gangið úr skugga um að hnífarnir sé heilir og bítir vel.

Kallið til löggiltan fagmann ef eitthvað er gallað eða bilað til að laga gallann áður en vélin er tekin í notkun.

VINNSLUGERÐIR

MEÐ

GRÆNMETISSKURÐARBÚNAÐINUM:

Sneiðir, sker í teninga, rífur, tætir og sker í strimla í ýmsum stærðum, eftir því hvaða skurðarverkfæri er valið. Vinnur grænmeti, ávexti, brauð, ost, hnetur, sveppi o.s.frv.

Stóra matarahólfið er einkum notað til að vinna með matvæli í miklu magni og skera stærri vörur eins og hvítkál.

Stóra matarahólfið er líka notað þegar skera á matvælin frá ákveðinni hlið, eins og tómata og sitrónur. Komið vörinni fyrir eins og sýnt er á myndinni.

Innbyggða matarapípan er notuð til að skera langt og mjótt hráefni eins og gúrkur, sjá mynd.

MEÐ HNÍFS- OG SKÁLARBÚNAÐINUM:

Sker, malar og blandar saman kjöthakk, kryddsmjör, salatsósu, eftirrétti, mauk, kæfu o.s.frv. Vinnur kjöt, fisk, ávexti, grænmeti, lauk, steinselju, hnetur, pamesanost, sveppi, súkkulaði o.s.frv.

NOTENDUR

Veitingastaðir, verslunareldhús, kaffihús, bakarí, mótuneyti, elliheimili, skólar, skyndibitastaðir, dagheimili, salatbarir o.s.frv.

VINNSLUGETA

MEÐ

GRÆNMETISSKURÐARBÚNAÐINUM:

Allt að 80 skammtar á dag og 2 kíló á mínútu.

MEÐ HNÍFS- OG SKÁLARBÚNAÐINUM:

Vinnslutíminn og það magn og bitastærð sem unnt er að vinna með í einu er mismunandi eftir þéttleika hráfnisins og þeim árangri sem stefnt er að.

Jafn og góður árangur fæst með því að hluta hráefni eins og kjöt og fisk fyrst í nokkurn veginn jafnstóra bita, ekki stærri en 3x3x3 sm.

Í eftirfarandi lista er gefið upp hámarks magn hráfnis sem ráðlagt er að vinna með í einu.

- Kjöt: 1 kíló
- Fiskur: 1 kíló
- Kryddsmjör: 1 kíló
- Majónes: 1 lítri
- Steinselja: 1 lítri

SKAFAN

HNÍFS- OG SKÁLARBÚNAÐUR:

Hafið sköfuna alltaf á þegar vélin er notuð þar sem sköfublöðin þrjú hægja á snúningi þess sem er í skálinni og beina því inn að miðju/skurðarhluta hennar.

Með því að færa sköfuhandfangið fram og aftur er auðveldlega hægt að skafa lok og hliðar skálarinnar og láta matinn færast inn í skurðarhluta hennar meðan vélin er í gangi.

SAMSETNING

GRÆNMETISSKURÐARBÚNAÐURINN:

Setjið frárásarskífuna á öxullinn, snúið henni og þrýstið henni niður svo hún festist á sínum stað.

Setjið svo valið skurðarverkfæri á öxullinn og snúið því þar til það festist.

Skorið í teninga: komið teningagrind fyrir þannig að egg hnífanna vísi upp, og skoran á hlið teningagrindarinnar passi inn í stilligrípina á vélinni. Setjið svo skurðarskífuna á öxullinn og snúið henni þar til hún festist.

Setjið grænmetis-skurðarbúnaðinn á vélina þannig að textinn „Close Open“ vísi á klukkan 5 miðað við frárásarop vélarinnar og snúið

honum réttisælis eins langt og hann kemst svo hann festist.

HNÍFS- OG SKÁLARBÚNAÐUR:

Setjið skálina ofan á vélina þannig að staðsetningarplata skálarinnar falli inn í gróp efst á vélinni.

Setjið hnífinn á öxulinn og snúið honum meðan honum er þrýst niður svo hann festist á sínum stað.

Festið þéttingarhringinn í raufinni innan á lokinu.

Grípið um miðjan sköfuhringinn og setjið lokið á sköfuhringinn.

Leggið sköfuhandfangið ofan á lokið og sköfuhringinn undir því. Snúið sköfuhandfanginu rangsælis eins langt og hægt er í sköfuhringnum svo hlutarnir þrír festist saman.

Setjið lokið á skálina þannig að textinn „Close Open“ vísi á klukkan 5 miðað við frárásarop vélarinnar.

Snúið lokinu réttisælis eins langt og hægt er.

LOSUN

GRÆNMETISSKURÐARBÚNAÐURINN:

Snúið grænmetisskurðarbúnaðinum rangsælis eins langt og hægt er og lyftið honum svo af vélinni.

Snúið skurðarverkfærinu réttisælis og lyftið því upp.

Takið teningagrindina af.

Lyftið upp frárásarskífurni.

HNÍFS- OG SKÁLARBÚNAÐURINN:

Snúið lokinu rangsælis eins langt og hægt er og lyftið lokinu/sköfunni af.

Þrýstið saman sköfuhringnum og sköfuhandfanginu meðan þið snúið sköfuhandfanginu réttisælis eins langt og hægt er til aðskilja hlutana þrjá.

Snúið hnífnum réttisælis eins langt og hægt er og fjarlægjið hnífinn og lyftið honum úr skálinni. Ef innihald skálarinnar er í vökvaformi ætti að tæma hana áður en hnífurinn er fjarlægður.

NOTKUN HRAÐASTILLIS

Þegar viðkvæmur matur eins og tómatar o.þ.h. er skorinn í teninga eða sneiðar er mælt með að stilla hraðann á „I“ fyrir hæga vinnslu sem skilar bestum árangri.

Þegar hraðastillirinn er í stöðu „0“ er slökkt á vélinni. Í stöðunni „I“ vinnur vélin stöðugt á litlum hraða og í stöðunni „II“ stöðugt á miklum hraða. Þegar hraðastillirinn er í stöðu „P“ vinnur vélin þar til hraðastillingin er sleppt (hnífs- og skálarbúnaður).

ÞRIF

Lesið allar leiðbeiningar áður vélin er þríf.

FYRIR ÞRIF: Slökkvið ávallt á vélinni og takið hana úr sambandi. Ef vélin er ekki með kló

skuluð þið slökkva á straumrofa. Fjarlægjið alla hluta sem má fjarlægja og á að þrifa. Sé vélin útbúin hnífs- og skálarbúnaði skal einnig fjarlægja sköfublöðin og þéttiringinn.

ÞRIF Í UPPÞVOTTAVÉL: Alla hluta sem má fjarlægja má setja í uppvottavél.

HANDÞVOTTUR: Notið ávallt uppvottalög.

HREINSIEFNI: Notið uppvottabursta til að þrifa matarsvæðin. Hægt er að þrifa hníföxulinn í miðri vélinni með litlum flöskubursta. Notið rakan klút til að þrifa aðra hluta vélarinnar.

SÓTTBREINSUN: Notið ísóprópýlalkóhól (65-70%). Ísóprópýlalkóhól er afar eldfimt svo farið varlega þegar það er notað.

VIÐVÖRUN:

- Hellið hvorki né öðlið vatni á hliðar vélarinnar.
- Notið ekki natríumhýpóklórít (klór) eða önnur efni sem innihalda það.
- Notið aldrei beitt verkfæri við þrif eða önnur verkfæri sem ekki eru ætluð fyrir þrif.
- Notið ekki fægiefni.

FORÐIST: Notið ekki þvottasvampa með ræstipúðum (t.d. Scotch-Brite™) nema það sé algjörlega nauðsynlegt. Það yfir yfirborðsflæti svo þeir hrinda síður vatni frá sér.

RÁÐ FYRIR UMHIRDU:

- Þrifið vélina strax eftir notkun.
- Þurrkið vélina strax eftir þrif til að forðast oxun og upplitun á yfirborðsflötum.

UPPLÝSINGAR: Ef vélin er látin vera rök í lengri tíma koma blettir á hana. Blettirnir eru skaðlausir en hafa slæm áhrif á útlit vélarinnar. Grænmeti og ávextir innihalda sýru. Það hefur áhrif á málminn, eftir því hvaða vörur eru unnar, eftir mismunandi langan tíma. Því er mikilvægt að þrifa vélina strax eftir vinnslu á sóltum og súrum vörum.

BILANALET

Til að koma í veg fyrir tjón á vélinni er CC-34 útbúin hitastýrðri mótörvörn sem slekkur sjálfkrafa á vélinni ef hitastig hennar verður of hátt. Hitastýrða mótörvörmin er með sjálfvirkri endurstillingu, sem þýðir að hægt er að gangsetja vélina aftur þegar hún hefur kólnað, sem tekur yfirleitt 10-30 mínútur.

BILUN: Vélina fer ekki í gang eða stöðvast meðan hún er í gangi og ekki er hægt að endurræsa hana.

LAUSN: Gangið úr skugga um að klóin sitji rétt í innstungunni eða að straumrofinn sé í stöðu „I“. Gangið úr skugga um að öryggi í töfluskápnum séu í lagi og að ampertala þeirra sé rétt. Gangið úr skugga um að grænmetisskurðarbúnaðurinn sé rétt festur og að búíð sé að draga niður handfangið á honum. Gangið úr skugga um að skálin og lokið sitji rétt. Bíðið í allt að 30 mínútur og reynið svo að gangsetja vélina aftur. Fáðið löggiltan fagmann til að gera við hana.

BILUN: Lítil vinnslugeta eða ófullnægjandi árangur þegar grænmetisskurðarbúnaðurinn er notaður.

LAUSN: Veljið rétta skurðarverkfærið Notið ávallt frárásarskífuna. Gangið úr skugga um að hnífarnir og skurðarskífurnar séu heilar og bítu vel. Þrýstið matnum niður af minna afli.

BILUN: Lítil vinnslugeta eða ófullnægjandi árangur þegar hnífs- og skálarbúnaðurinn er notaður.

LAUSN: Skerið matinn í minni, jafnstóra bita, í mesta lagi 3x3x3 sm. Vinnið þá í styttri eða lengri tíma. Vinnið minna magn í hvert sinn. Hafið alltaf sköfuna áfasta og notið hana eftir þörfum.

BILUN: Ekki hægt að fjarlægja skurðarverkfærið þegar grænmetisskurðarbúnaðurinn er notaður.

LAUSN: Notið ávallt frárásarskífuna. Notið þykkan leðurhanska eða öðruvísi hanska sem hnífur skurðarverkfærisins skera ekki í gegnum og fjarlægjið skurðarverkfærið með því að snúa því réttisælis.

TÆKNILEGAR UPPLÝSINGAR UM HALLDE CC-34

VINNSLUGETA OG MAGN: Vinnur allt að 2 kílóum á mínútu með grænmetisskurðarbúnaðinum, fer eftir skurðarverkfæri og tegund matvæla. Rúmmál grænmetisskurðarbúnaðarins: 0,9 lítrar. Þvermál matarapíunnar: 53 mm. Hnífs- og skálarbúnaður: brúttórúmmál skálar: 3 lítrar. Nettórúmmál skálar með léttfljótandi vökva: 1,4 lítrar.

VÉLARHÚS: Mótör: 1,0 kW. 100-120 V, einfasa, 50-60 Hz. 220-240 V, einfasa, 50/60 Hz. Hitastýrð mótörvörn. Aflyfifærsla: viðhaldsfrí tannhjólsmreim. Öryggiskerfi: Tveir öryggisrofar: Varnarflokkur: IP34. Rafmagnsinnstunga: Jarðtengd, einfasa, 10A. Öryggi í töfluskáp á staðnum: 10A, treg. Hljóðvíst: LpA (EN31201): 76 dBA við skurð og 82 dBA við vinnslu. Segulsvið: Minna en 0,1 mikrótesla.

HRAÐASTILLINGAR: Fjórar hraðastillingar fyrir fullkomna vinnslu með bæði grænmetisskurðarbúnaðinum og hnífs- og skálarbúnaðinum. Sjálfvirk hraðastilling sem greinir hvort grænmetisskurðarbúnaðurinn eða hnífs- og skálarbúnaðurinn er tengdur. Þegar skorið er með grænmetisskurðarbúnaðinum vinnur vélin á 500 sn./mín. í stöðu „I“ og 800 sn./mín. í stöðu „II“, og þegar hakkað er með hnífs og skálarbúnaðinum vinnur vélin á 1.450 sn./mín. í stöðu „I“ og 2.650 sn./mín. í stöðu „II“. Snögghraðastillirinn vinnur á 2.650 sn./mín. þegar unnið er með hnífs- og skálarbúnaðinum í stöðu „P“.

SKURÐARVERKFÆRI OG HNÍFUR: Þvermál skurðarverkfæranna er 185 mm. Þvermál hnífsins er 170 mm.

NETTÓÞYNGDIR: Vélarhús: 8,6 kíló. Grænmetisskurðarbúnaður án skurðarverkfæra: 1 kíló. Skurðarverkfæri: u.þ.b. 0,3 kíló að meðaltali. Búnaður fyrir hraða hökkun, án hnífs: 1,4 kíló. NSF-STADALL 8, sjá samræmisyfirlýsingu.

ISTRUZIONI PER L'USO

HÄLLDE CC-34

(IT)

ATTENZIONE!

Fare molta attenzione alle mani: nell'apparecchio ci sono parti mobili e taglienti.

Trasportare l'apparecchio tenendolo sempre per le due maniglie ai lati della base.

Non mettere mai le mani nel cestello, nell'alimentatore o tubo dell'accessorio per la preparazione delle verdure.

Utilizzare sempre il pestello nel tubo di alimentazione dell'accessorio per la preparazione delle verdure.

Prima di pulire l'apparecchio, spegnerlo sempre spostando il selettore velocità in posizione "0" e quindi togliere la spina dalla presa di rete o, in alternativa, spegnere l'interruttore.

Tenere sempre con una mano il manico dell'accessorio per la preparazione delle verdure, quando si apre o si chiude l'alimentatore.

Solo un servizio tecnico qualificato può eseguire riparazioni ed aprire il basamento dell'apparecchio.

Non utilizzare l'accessorio per la preparazione delle verdure per tagliare cibi congelati. Rimuovere tutte le parti dure degli alimenti prima di tagliare (es. steli di mele, parti legnose delle rape, ecc.) per evitare di danneggiare le lame.

Questo apparecchio non deve essere utilizzato da bambini o persone con ridotte capacità fisiche, sensoriali o mentali o da persone prive di esperienza con tali apparecchi, a meno che abbiano ricevuto adeguate istruzioni o supervisione.

ESTRAZIONE DALL'IMBALLO

Controllare la presenza di tutti i componenti, controllare il funzionamento dell'apparecchio, e che non si sia danneggiato durante il trasporto. Eventuali reclami devono essere comunicati al fornitore entro otto giorni dalla consegna.

INSTALLAZIONE

Rimuovere il coltello dal cestello prima di eseguire l'installazione.

Collegare l'apparecchio a una presa di corrente con la tensione compatibile con i dati indicati sulla taghetta posta sul retro della base.

Posizionare l'apparecchio su un piano

d'appoggio o tavolo robusto, di 650-900 mm di altezza.

Montare il portautensili e l'estrattore su una parete in prossimità dell'apparecchio.

ESEGUIRE SEMPRE IL CONTROLLO PRIMA DELL'UTILIZZO

CON L'ACCESSORIO PER LA PREPARAZIONE DI VERDURE:

Estrarre la spina dalla presa di corrente o spegnere l'interruttore generale e controllare che il cavo elettrico sia integro e che l'isolante non abbia crepe visibili.

Rimuovere l'accessorio per la preparazione di verdure, gli utensili da taglio e il piattello estrattore come indicato alla voce "Smontaggio", quindi controllare che l'apparecchio non si avvii quando il selettore velocità è in posizione "II".

Attrezzare l'apparecchio come indicato alla voce "Montaggio". Inpostare il selettore velocità su "II". Verificare che l'apparecchio smetta di funzionare quando si solleva il manico dell'accessorio e che l'albero smetta di ruotare entro 2 secondi. Controllare che l'apparecchio si riavvii quando la maniglia è abbassata.

Controllare che i piedini in gomma sotto la base dell'apparecchio siano saldamente avvitati.

Con riferimento agli utensili da taglio, vedere le pagine 55.

In caso di difetti o malfunzionamenti, rivolgersi ad un tecnico qualificato per la riparazione prima di utilizzare l'apparecchio.

CON L'ACCESSORIO LAMA/CESTELLO:

Estrarre la spina dalla presa di corrente o spegnere l'interruttore generale e controllare che il cavo elettrico sia integro e che l'isolante non abbia crepe visibili.

Montare il cestello, coltello e coperchio. Posizionare il selettore in posizione "II" e controllare che l'albero smetta di ruotare entro 4 secondi dopo aver sollevato il coperchio ruotandolo completamente in senso antiorario.

Rimuovere il coperchio, il coltello e il cestello. Portare il selettore di velocità in posizione "II" e controllare che l'apparecchio non si avvii.

Controllare che i piedini in gomma sotto la base dell'apparecchio siano saldamente avvitati.

Controllare che le lame siano in buone condizioni e affilate.

In caso di difetti o malfunzionamenti, rivolgersi ad un tecnico qualificato per la riparazione prima di utilizzare l'apparecchio.

TIPO DI IMPIEGO

CON L'ACCESSORIO PER LA PREPARAZIONE DI VERDURE:

Affetta, grattugia, tritura, affetta alla julienne e seziona in varie dimensioni, in funzione dell'utensile selezionato. Consente di lavorare verdure, frutta, pane secco, formaggio, noci, funghi ecc.

Il capiente vano di alimentazione è utilizzato principalmente per ammassare vari tipi di prodotti e per tagliare prodotti di grandi dimensioni come i cavoli.

Il capiente vano di alimentazione viene utilizzato anche quando il prodotto va tagliato in una specifica direzione, come pomodori e limoni. Posizionare/impilare i prodotti come indicato in figura.

Il tubo di alimentazione integrato viene utilizzato per il taglio di prodotti lunghi come cetrioli, vedi foto.

CON L'ACCESSORIO LAMA/CESTELLO:

Trita, macina, miscela e amalgama carne trita, mousse di pesce, burro aromatizzato, condimenti, maionese, dessert, puré, paté, ecc. Prepara carne, pesce, frutta, verdura, cipolle, prezzemolo, noci, mandorle, parmigiano, funghi, cioccolato ecc.

UTILIZZATORI

Ristoranti, cucine di negozi, caffetterie, bar, cucine dietetiche, case di riposo, scuole, fast food, catering, centri diurni, insalaterie, ecc.

CAPACITA'

UTILIZZANDO L'ACCESSORIO PER LA PREPARAZIONE DI VERDURE

Fino a 80 porzioni al giorno e 2 kg al minuto.

UTILIZZANDO L'ACCESSORIO LAMA/ CESTELLO

Quantità, dimensioni e tempi di lavorazione dipendono dalla consistenza dei generi trattati e dal risultato desiderato.

Per ottenere un risultato omogeneo, i generi di una certa consistenza, come carne e formaggio, vanno prima ridotti in pezzetti di dimensioni omogenee inferiori a 3x3x3 cm.

Le quantità massime da utilizzare per volta sono le seguenti:

- Carne: 1 kg
- Pesce: 1 kg
- Burro aromatizzato: 1 kg
- Maionese: 1 litro
- Prezzemolo: 1 litro

IL RASCHIATORE

ACCESSORIO COLTELLO/CESTELLO:

Accertarsi sempre che il raschiatore sia montato durante tutti i tipi di lavorazione, poiché le sue tre lame rallentano la rotazione del contenuto guidandolo verso il centro/zona di taglio del cestello.

Muovendo avanti e indietro l'impugnatura del raschiatore, è possibile raschiare facilmente il contenuto dal coperchio e dalle pareti del cestello, riconducendo il contenuto verso la zona di taglio mentre l'apparecchio è in funzione.

MONTAGGIO

CON L'ACCESSORIO PER LA PREPARAZIONE DI VERDURE:

Montare l'estrattore sull'albero, ruotarlo e premerlo in basso nella sua sede.

Inserire l'utensile selezionato sul supporto e ruotarlo facendolo cadere sulla sua sede.

Taglio in cubetti: posizionare la griglia per cubetti con il bordo affilato delle lame verso l'alto, in modo che l'incavo dal lato della griglia a dadi si inserisca sulla guida sulla base dell'apparecchio. Quindi posizionare l'affettatrice sull'albero e ruotarla fino a quando scende in sede.

Posizionare l'accessorio per la preparazione delle verdure sulla base dell'apparecchio in modo che il testo "Close Open" sia a ore 5 rispetto alla base dell'apparecchio e ruotare l'accessorio per la preparazione delle verdure in senso orario fino a fine corsa e quando saldamente in posizione.

ACCESSORIO LAMA/CESTELLO:

Posizionare il cestello sulla base dell'apparecchio in modo che la guida di riferimento del cestello vada ad inserirsi nell'apposita scanalatura sulla base.

Inserire il coltello sull'albero e ruotarlo mentre lo si spinge verso il basso, fino a quando si blocca in sede.

Fissare la guarnizione nella scanalatura interna del coperchio.

Afferrare il centro del raschiatore e collocare il coperchio sull'anello raschiatore.

Posizionare il manico del raschiatore sul coperchio con l'anello di sotto. Ruotare il manico del raschiatore in senso antiorario fino a quando entra nell'anello e le tre parti sono collegate.

Inserire il coperchio in modo che il testo "Close Open" sia in posizione corrispondente alle ore 5 rispetto alla base.

Ruotare il coperchio in senso orario completamente.

SMONTAGGIO

CON L'ACCESSORIO PER LA PREPARAZIONE DI VERDURE:

Ruotare l'accessorio per la preparazione delle verdure in senso antiorario fino a fine corsa, quindi sollevarlo.

Ruotare l'utensile da taglio in senso orario e sollevarlo.

Togliere la griglia per i cubetti.

Togliere il piattello estrattore.

ACCESSORIO LAMA/CESTELLO:

Ruotare il coperchio in senso antiorario fino a quando si separa dalla base dell'apparecchio.

Premere insieme l'anello del raschiatore e il manico (montato sul coperchio), ruotando il manico in senso orario fino a quando le tre parti si separano.

Ruotare il coltello in senso orario fino a quando si separa, e rimuoverlo dal rovesciare il cestello. Se il contenuto del cestello è liquido, questo deve essere svuotato prima di rimuovere il coltello.

USARE IL SELETTORE DI VELOCITÀ

Durante il taglio di cubetti e sezioni sottili di prodotti delicati come ad esempio i pomodori, si consiglia di impostare la velocità su "I" per lavorare a bassa velocità e garantire migliori risultati.

Quando il selettore si trova in posizione "0", l'apparecchio è spento. In posizione "I" l'apparecchio funziona in continuo a bassa velocità, in posizione "II" in continuo ad alta velocità. In posizione "P" (impulso) l'apparecchio funziona fino a quando il pulsante è rilasciato (accessorio coltello/cestello).

PULIZIA

Leggere attentamente le istruzioni prima di procedere alla pulizia dell'apparecchio.

PRIMA DELLA PULIZIA: Spegnerne sempre l'apparecchio prima della pulizia e rimuovere la spina dalla presa di rete. In alternativa, se l'apparecchio non dispone di una spina, spegnere l'interruttore. Rimuovere tutte le parti rimovibili che devono essere pulite. Se l'apparecchio è dotato di un accessorio verticale per tagliare o mescolare, rimuovere anche le lame e la guarnizione.

PULIZIA IN LAVASTOVIGLIE: Tutte le parti rimovibili sono lavabili in lavatrice.

LAVAGGIO A MANO: Usare sempre detersivo liquido per lavaggio a mano.

MATERIALI PER LA PULIZIA: Utilizzare una spazzola da cucina per pulire le zone di contatto con gli alimenti. Il supporto dei coltelli al centro dell'apparecchio può essere pulito con una piccola spazzola per bottiglie. Pulire le altre superfici dell'apparecchio con un panno umido.

DISINFEZIONE: Usare alcool isopropilico (65-70%). L'alcol isopropilico è altamente infiammabile, usare quindi cautela durante l'applicazione.

AVVISO:

- Non versare o spruzzare acqua sui lati dell'apparecchio.
- Non utilizzare ipoclorito di sodio (cloro) o qualsiasi altro prodotto contenente tale sostanza.
- Non usare mai oggetti appuntiti o altri oggetti non specifici per la pulizia.
- Non utilizzare detersivi abrasivi o prodotti per la pulizia.

DA EVITARE: Non utilizzare spugne con pagliette abrasive (tipo Scotch-Brite™) se non assolutamente necessario. Questo rende la superficie più ruvida e meno idrorepellente.

NOTE SULLA CURA:

- Pulire l'apparecchio subito dopo l'uso.
- Asciugare subito l'apparecchio dopo la pulizia per evitare ossidazione e perdita di colore sulla superficie.

INFORMAZIONI: Se l'apparecchio viene lasciato umido per lungo tempo potrebbero apparire delle macchie. Le macchie non creano alcun problema, ma la superficie perde la sua lucidità iniziale. Verdure e frutta possono contenere acidi. A seconda del tipo di prodotti lavorati, ciò potrebbe avere effetto sull'aspetto del metallo col passare del tempo. Per questo è importante pulire l'apparecchio subito dopo il contatto con prodotti salati ed acidi.

RIMOZIONE PROBLEMI

Per eliminare il rischio di danni al motore, CC-34 è dotato di protezione termica del motore che spegne l'apparecchio automaticamente quando la temperatura del motore diviene eccessiva. La protezione termica del motore ha un riarmo automatico, quindi l'apparecchio può essere riavviato quando il motore si è sufficientemente raffreddato, solitamente dopo 10 - 30 minuti.

GUASTO: L'apparecchio non parte, oppure si ferma mentre è in funzione e non si riesce a farlo ripartire.

INTERVENTO: Controllare che il cavo di alimentazione sia correttamente inserito nella presa o, alternativamente, portare l'interruttore principale in posizione "I". Controllare che i fusibili del quadro generale siano integri e del corretto amperaggio. Controllare che l'accessorio per le verdure sia correttamente montato e che il manico sia abbassato. Controllare che cestello e coperchio siano montati correttamente. Attendere fino a 30 minuti e provare a riavviare l'apparecchio. Rivolgersi ad un tecnico qualificato.

GUASTO: Bassa capacità o scarsi risultati quando si utilizza l'accessorio per la preparazione delle verdure.

INTERVENTO: Scegliere l'utensile adatto. Usare sempre l'estrattore. Controllare che le parti taglienti e le piastre grattugia/tritatore siano integre e affilate. Premere gli alimenti verso il basso applicando meno forza.

GUASTO: Bassa capacità o scarsi risultati quando si utilizza l'accessorio coltello/cestello.

INTERVENTO: Separare gli alimenti in pezzi più piccoli e omogenei, max. 3x3x3 cm. Far funzionare per un periodo maggiore o minore. Lavorare una minor quantità per volta. Usare sempre il raschiatore montato e nel modo previsto.

GUASTO: Non si riesce a togliere l'utensile da taglio quando si usa l'accessorio per la preparazione delle verdure.

INTERVENTO: Usare sempre l'estrattore. Utilizzare un guanto di protezione in cuoio o altro materiale resistente al taglio e ruotare l'utensile in senso orario per rilasciarlo.

DATI TECNICI HALLDE CC-34

CAPACITA' E VOLUME: Lavora fino a 2 kg. al minuto con l'accessorio per preparare le verdure, in funzione del tipo di utensile da taglio e alimenti. Volume dell'accessorio per la preparazione delle verdure: 0.9 litri. Diametro del tubo di alimentazione: 53 mm. Accessorio coltello/cestello: volume lordo del cestello: 3 litri. Volume netto del cestello con liquidi: 1.4 litri.

BASE APPARECCHIO: Motore: 1.0 kW. 100-120 V, monofase, 50-60 Hz. 220-240 V, monofase, 50/60 Hz. Salvamotore termico. Trasmissione a cinghia dentata senza manutenzione. Sistema di sicurezza: due interruttori di sicurezza. Grado di protezione: IP34. Alimentazione elettrica: con messa a terra, monofase, 10 A. Fusibile nel quadro generale: 10 A, ritardato. Rumorosità: LpA (EN31201): 76 dBA durante il taglio e 82 dBA durante la triturazione. Campo magnetico: Inferiore a 0.1 microtesla.

CONTROLLI E VELOCITA': Quattro velocità (HALLDE 4 velocità) per lavorazioni perfette sia con l'accessorio per le verdure, che con l'accessorio coltello/cestello. L'impostazione automatica della velocità (Auto-Speed HALLDE) rileva automaticamente se è montato l'accessorio per le verdure o l'accessorio coltello/cestello. Durante il taglio con l'accessorio per la preparazione di verdure l'apparecchio funziona a 500 giri/min in posizione "I" e 800 giri/min in posizione "II", durante la triturazione con l'accessorio coltello/cestello a 1450 giri/min in posizione "I" e 2650 giri/min in posizione "II". La funzione a impulso funziona a 2650 giri/min durante la triturazione con l'accessorio coltello/cestello in posizione "P".

UTENSILI DA TAGLIO E COLTELLO PER TRITURARE: Il diametro dell'utensile da taglio è 185 mm. Il diametro del coltello tagliere è di 170 mm.

PESI NETTI: Base apparecchio: 8.6 kg. Accessorio per la preparazione delle verdure completo ma senza utensili da taglio: 1 kg. Utensili da taglio: in media 0.3 kg. Accessorio completo per triturazione veloce ma senza coltello: 1.4 kg.

NORME/STANDARD: NSF STANDARD 8, vedere dichiarazione di conformità.

GEBRUIKSAANWIJZING

HÄLLDE CC-34

(NL)

LET OP!

Wees zeer voorzichtig, vooral met uw handen, in verband met scherpe messen en bewegende delen.

Draag de machine altijd aan beide handgrepen aan de zijkanten van de voet van de machine.

Plaats nooit uw handen in de kom, of in het toevoercompartiment of de vulbuis van het groentensnijaccessoire.

Gebruik altijd de stamper tijdens snijden met de vulbuis van het groentensnijaccessoire.

Vóór het reinigen van de machine moet u het altijd uitschakelen door de snelheidsregelaar in stand "O" te zetten en vervolgens de stekker uit het stopcontact halen of, als alternatief, de scheidingschakelaar te openen.

Pak de handgreep van het groentensnijaccessoire wanneer het toevoercompartiment wordt geopend of gesloten.

Alleen een gekwalificeerde servicemonteur mag de machine repareren en de behuizing openen.

Gebruik het groentensnijaccessoire niet voor het snijden van ingevroren voedsel. Verwijder alle harde delen uit het voedsel alvorens te gaan snijden (bijvoorbeeld appelsteeltjes, houtige bestanddelen van rapen enz.) om beschadiging van de snijvlakken te voorkomen.

Dit apparaat mag niet worden bediend door kinderen of door personen met een verminderde fysieke, sensorische of mentale capaciteit, of door personen zonder ervaring met dergelijke apparaten, tenzij zij een afdoende instructie of begeleiding krijgen.

UITPAKKEN

Controleer of alle onderdelen aanwezig zijn, of de machine werkt en of er niets is beschadigd tijdens het transport. Claims moeten binnen acht dagen na levering worden ingediend bij de leverancier.

INSTALLATIE

Verwijder het mes uit de kom voor de installatie.

Sluit de machine aan op een elektriciteitsnet met de specificatie in overeenstemming met de gegevens op het typeplaatje op de achterkant van de voet van de machine.

Plaats de machine een stevige werkbank of tafel van 650-900 mm hoog.

Monteer het wandrek voor de snijgereedschappen en de uitwerpschijf op een muur dicht bij de machine.

CONTROLE VOOR GEBRUIK

MET HET

GROENTENSNIJACCESSOIRE:

Haal de stekker uit het stopcontact of open de scheidingschakelaar en controleer vervolgens of de elektrische kabel in goede staat is en niet aan de buitenkant is gebarsten.

Verwijder het groentensnijaccessoire, de snijgereedschappen en de uitwerpschijf volgens de instructies in "Demontage" en controleer vervolgens of de machine niet start wanneer de snelheidsregelaar in stand "I" staat.

Bevestig de machine overeenkomstig de instructies onder het kopje "Montage". Stel de toerentalknop in op "II". Controleer of de machine stopt wanneer de handgreep van het groentensnijaccessoire wordt opgetild en of de as binnen 2 seconden stopt met draaien. Controleer vervolgens of de machine opnieuw start wanneer de handgreep omlaag wordt gezet.

Controleer of de rubberen voetjes van de machine stevig op hun plaats zijn vastgeschroefd.

Zie pagina 55 voor snijgereedschappen.

Bel in het geval van een defect of storing een gekwalificeerde servicemonteur om het defect te verhelpen voordat u de machine gebruikt.

MET DE KOM MET MESSEN:

Haal de stekker uit het stopcontact of open de scheidingschakelaar en controleer vervolgens of de elektrische kabel in goede staat is en niet aan de buitenkant is gebarsten.

Plaats de kom, het mes en de deksel. Zet de snelheidsregelaar op stand "II" en controleer of de as binnen 4 seconden stopt met draaien nadat de deksel is weggehaald door deze zo ver mogelijk linksom te draaien

Verwijder de deksel, het mes en de kom. Draai de snelheidsregelaar naar stand "I" en controleer of de machine niet start.

Controleer of de rubberen voetjes van de machine stevig op hun plaats zijn vastgeschroefd.

Controleer of de messen in goede staat en scherp zijn.

Bel in het geval van een defect of storing een gekwalificeerde servicemonteur om het defect te verhelpen voordat u de machine gebruikt.

TYPE VERWERKING

MET HET

GROENTENSNIJACCESSOIRE:

Voor het snijden in plakjes, blokjes, reepjes, stukjes en vormpjes in diverse formaten afhan-

kelijk van het geselecteerde snijgereedschap. Verwerkt groenten, vruchten, droog brood, kaas, noten, champignons enz.

Het grote toevoercompartiment wordt hoofdzakelijk gebruikt voor grote toevoer van allerlei soorten producten en voor het snijden van grotere producten zoals kool.

Het grote toevoercompartiment wordt ook gebruikt wanneer het product in een bepaalde richting moet worden gesneden, zoals tomaten en citroenen. Plaats/stapel de producten zoals in de afbeelding.

De ingebouwde vulbuis wordt gebruikt voor het snijden van lange producten zoals komkommers, zie foto.

MET DE KOM MET MESSEN:

Voor het fijnhakken, malen, mixen en mengen van gehakt, aromatische boter, dressing, desserts, puree, paté, soepen enz. Voor het prepareren van vlees, vis, fruit, groenten, uien, peterselie, noten, amandelen, Parmezaanse kaas, champignons, chocolade enz.

GEbruikers

Restaurants, winkelkeukens, cafés, bakkerijen, dieetkeukens, rusthuizen, scholen, fastfood-restaurants, dagverblijven, saladebars enz.

CAPACITEIT

HET GROENTENSNIJACCESSOIRE GEBRUIKEN:

Maximaal 80 porties per dag en 2 kg per minuut.

DE KOM MET MESSEN GEBRUIKEN:

De hoeveelheid en de grootte van de stukken die tegelijkertijd worden verwerkt en de duur van de verwerking zijn afhankelijk van de samenstelling van het voedsel en het gewenste resultaat.

Voor een gelijkmatig en goed resultaat met vaste voedingsmiddelen zoals vlees en kaas moeten deze eerst in stukken van ongeveer gelijke grootte worden verdeeld en niet groter zijn dan 3x3x3 cm.

De aanbevolen maximumhoeveelheden die per keer kunnen worden verwerkt, zijn als volgt:

- Vlees: 1 kg
- Vis: 1 kg
- Aromatische boter: 1 kg
- Mayonaise: 1 liter
- Peterselie: 1 liter

DE SCHRAPER

KOM MET MESSEN:

Gebruik de schrapper bij alle soorten verwerking, aangezien de drie schrapermessen de rotatie van het voedsel in de kom vertragen en het voedsel in de richting van het midden/de snijzone van de kom leiden.

Door de handgreep van de schrapper heen en weer te bewegen, kunnen de deksel en de wanden van de kom gemakkelijk worden geschrapt en wordt het voedsel naar de snijzone teruggebracht terwijl de machine draait.

MONTAGE

HET GROENTENSNIJACCESSOIRE:

Plaats de uitwerpschijf op de as, draai de plaat en druk deze naar beneden in de koppeling.

Plaats vervolgens het gekozen snijgereedschap op de as en draai het zodat het zijn koppeling valt

Tijdens het blokjes maken: plaats het blokrooster met de scherpe rand van de messen omhoog, zodat de uitsparing in de zijkant van het blokrooster in de geleidegroef op de machinevoet past. Plaats vervolgens de snijder op de as en draai de snijder zodat deze in zijn koppeling valt.

Plaats het groentensnijaccessoire op de machinevoet zodat de tekst "Sluiten Open" op 5 uur staat ten opzichte van de uitlaat van de machinevoet en draai het hulpstuk zo ver mogelijk rechtsom totdat het vast op zijn plaats zit.

KOM MET MESSEN::

Plaats de kom op de machinevoet zodat de fixeerplaat van de kom in de uitsparing aan de bovenzijde van de machinevoet is geplaatst.

Plaats het mes op de as en draai het mes terwijl u het omlaag drukt zodat het helemaal in zijn koppeling zakt.

Plaats de afdichtring in de groef aan de binnenzijde van de deksel.

Pak het midden van de schraperring en plaats de deksel op de schraperring.

Plaats de schrapperhandgreep boven op de deksel en de schraperring eronder. Draai de handgreep van de schrapper zo ver mogelijk linksom in de schraperring en de drie delen worden samengevoegd.

Plaats de deksel op de kom zodat de tekst "Close Open" op 5 uur staat ten opzichte van de uitlaat van de machinevoet.

Draai de deksel zo ver mogelijk rechtsom.

DEMONTAGE

HET GROENTENSNIJACCESSOIRE:

Draai het groentensnijaccessoire zo ver mogelijk linksom en haal het eraf.

Draai het snijgereedschap rechtsom en haal het eraf.

Haal het blokrooster eraf.

Haal de uitwerpschijf eraf.

KOM MET MESSEN:

Draai de deksel zo ver mogelijk linksom en haal de deksel/schraper eraf.

Druk de schraperring en de schrapperhandgreep tegen elkaar terwijl u de schrapperhand-

greep zo ver mogelijk rechtsom draait en de drie delen van elkaar haalt.

Draai het mes zo ver mogelijk rechtsom en verwijder het mes en haal de kom weg. Als de inhoud van de kom vloeibaar is, moet de kom worden geleegd voordat het mes wordt verwijderd.

DE SNELHEIDSREGELAAR GEBRUIKEN

Tijdens het in blokjes en plakjes snijden van kwetsbaar voedsel zoals tomaten, enz., is het raadzaam dat de snelheidsregelaar in stand "I" staat voor een extra trage/voorzichtige verwerking en de beste resultaten.

Met de snelheidsregelaar in positie "O" wordt de machine uitgeschakeld. In de stand "I" draait de machine continu op lage snelheid en in stand "II" continu op hoge snelheid. In stand "P" (pulseren) draait de machine tot de snelheidsregelaar wordt losgelaten (kom met messen).

REINIGING

Lees alle instructies voordat u begint met het reinigen.

VÓÓR HET SCHOONMAKEN: Schakel de machine altijd uit en haal de stekker uit het stopcontact. Als alternatief, als de machine geen stekker heeft, opent u de scheidingschakelaar. Verwijder alle losse onderdelen die moeten worden schoongemaakt. Indien de machine is uitgerust met een kom met messen verwijdert u de schrapermessen en de afdichtring.

REINIGEN IN EEN AFWASMACHINE: Alle losse onderdelen kunnen in de machine worden gewassen.

REINIGEN MET DE HAND: Gebruik altijd een handafwasmiddel.

REINIGINGSMATERIAAL: Gebruik een afwasborstel om de voedselzones te reinigen. De mesas in het midden van de machine kan worden gereinigd met een kleine flesborstel. Gebruik een vochtige doek om de andere oppervlakken op de machine te reinigen.

ONTSMETTING: Gebruik isopropylalcohol (65-70%). Isopropylalcohol is licht ontvlambaar dus wees voorzichtig bij het aanbrengen.

WAARSCHUWING:

- Giet of spuit geen water op de zijkanten van de machine.
- Gebruik geen natriumhypochloriet (chloor) of een middel dat deze stof bevat.
- Gebruik geen scherpe voorwerpen of voorwerpen die niet voor reinigen bedoeld zijn.
- Gebruik geen schurende of agressieve schoonmaakmiddelen.

VERMIJDEN: Gebruik geen reinigingssponzen met schuurblokjes (bijv. Scotch-Brite™) tenzij dit absoluut noodzakelijk is. Dit maakt het oppervlak ruw en minder waterafstotend.

ADVIES OVER VERZORGING:

- Maak de machine direct na gebruik schoon.
- Droog de machine direct na het reinigen om oxidatie en verkleuring van het oppervlak te voorkomen.

INFORMATIE: Als de machine langere tijd vochtig blijft, ontstaan er vlekken. Deze vlekken zijn onschuldig, maar het oorspronkelijke oppervlak zal zijn glans kwijtraken. Groente en fruit bevatten zuren. Afhankelijk van welke producten worden verwerkt, kan dit na kortere of langere tijd effect hebben op het metaal. Het is daarom belangrijk de machine direct te reinigen na de verwerking van zout- en zuurproducten.

PROBLEMEN VERHELPEN

Om het risico van schade aan de motor te voorkomen is de CC-34 uitgerust met thermische motorbeveiliging die de machine automatisch uitschakelt wanneer de temperatuur van de motor te hoog zou worden. De thermische motorbeveiliging heeft een automatische reset, wat betekent dat de machine weer kan worden gestart wanneer de motor is afgekoeld, wat meestal tussen de 10 en 30 minuten duurt.

PROBLEEM: De machine start niet of blokkeert en hij kan niet opnieuw worden gestart.

OPLOSSING: Controleer of de stekker in het stopcontact zit of, als alternatief, zet de hoofdschakelaar op stand "I". Controleer of de zekeringen in de meterkast voor het pand intact zijn en de correcte waarde hebben. Controleer of het groentensnijaccessoire op de juiste wijze is aangebracht en of de handgreep van het hulpstuk omlaag is gezet. Controleer of de kom en de deksel op de juiste wijze zijn aangebracht. Wacht 30 minuten en probeer dan om de machine opnieuw te starten. Bel een gekwalificeerde servicemonteur om het na te kijken.

PROBLEEM: Een lage capaciteit of slecht verwerkingsresultaat bij het gebruik van het groentensnijaccessoire.

OPLOSSING: Selecteer het juiste snijgereedschap. Gebruik altijd de uitwerpschijf. Controleer of de messen en rasp/schaafplaten heel en scherp zijn. Druk het voedsel losjes omlaag met minder kracht.

PROBLEEM: Een lage capaciteit of slecht verwerkingsresultaat bij het gebruik van de kom met messen.

OPLOSSING: Verdeel het voedsel in kleinere, gelijkmatige stukken van max. 3 x 3 x 3 cm. Verwerk het voedsel een kortere of langere periode. Verwerk elke keer in een kortere tijd. Zorg dat de schrapper altijd is bevestigd en gebruik deze als vereist.

PROBLEEM: Het snijgereedschap kan niet worden weggehaald bij het gebruik van het groentensnijaccessoire.

OPLOSSING: Gebruik altijd de uitwerpschijf. Gebruik een dikke lederen handschoen of andere handschoen waar de bladen van

het snijgereedschap niet doorheen kunnen en verwijder het snijgereedschap door het rechtsom te draaien.

TECHNISCHE SPECIFICATIE HALLDE CC-34

CAPACITEIT EN VOLUME: Verwerkt tot 2 kg per minuut met het groentensnijaccessoire, afhankelijk van het type snijgereedschap en de voedingsmiddelen. Volume van het groentensnijaccessoire: 0,9 liter. Diameter van de vulbuis: 53 mm. Kom met messen: brutovolume kom: 3 liter. Nettovolume van de kom met vrijstromend vloeistof: 1,4 liter.

MACHINEVOET: Motor: 1,0 kW. 100-120 V, 1-fase, 50-60 Hz. 220-240 V, 1-fase, 50/60 Hz. Thermische motorbeveiliging. Transmissie: onderhoudsvrij getande riem. Beveiligingssysteem: Twee veiligheidsschakelaars. Beschermingsgraad: IP34. Stroomaansluiting: Geaard, 1-fase, 10 A. zekering in de meterkast voor het pand: 10 A, vertraagd. Geluidsniveau: LpA (EN31201): 76 dBA tijdens snijden en 82 dBA tijdens hakken. Magnetisch veld: Minder dan 0,1 microtesla.

BEDIENING EN SNELHEDEN: Vier snelheden (HALLDE 4-snelheden) voor perfecte verwerkingsresultaten met zowel het groentensnijaccessoire als de kom met messen. Automatische snelheidsinstelling (HALLDE Auto-snelheid) die weet of het groentensnijaccessoire of de kom met messen is aangebracht. Tijdens het snijden met het groentensnijaccessoire draait de machine op 500 tpm in stand "I" en op 800 tpm in stand "II", en tijdens het hakken met de kom met messen op 1450 tpm in stand "I" en op 2650 tpm in stand "II". De pulseerfunctie werkt op 2650 tpm tijdens het hakken met de kom met messen in stand "P".

SNIJGEREEDSCHAPPEN EN HAKMES: De diameter van de snijgereedschappen is 185 mm. De diameter van het hakmes is 170 mm.

NETTOGEWICHT: Machinevoet: 8,6 kg. Groentensnijaccessoire compleet maar exclusief snijgereedschap: 1 kg. Snijgereedschappen: ca. 0,3 kg gemiddeld. Snelhakaccessoire, compleet maar exclusief mes: 1,4 kg.

NORMEN/STANDAARDEN: NSF STANDAARD 8, zie conformiteitsverklaring.

BRUKSANVISNING

HÄLLDE CC-34

(NO)

FORSIKTIG!

Vær svært forsiktig, særlig med hendene, under håndtering med skarpe knivblader og bevegelige deler.

Bær alltid maskinen etter de to håndtakene på siden av maskinbasen.

Putt aldri hendene ned i bollen eller inn i materommet eller ned i materøret på grønnsakskuttetilbehøret.

Bruk alltid stapperen under kutting med materøret på grønnsakskuttetilbehøret.

Før du skal rengjøre maskinen, må den alltid slås av ved å sette hastighetsknappen i posisjon "0" og deretter trekke støpslet ut av stikkkontakten, alternativt må skillebryteren åpnes.

Ta alltid i håndtaket på grønnsakskuttetilbehøret når materommet skal åpnes eller lukkes.

Kun en fagperson skal åpne maskinhuset og reparere maskinen.

Ikke bruk grønnsakskuttetilbehøret til å kutte opp frosne matvarer. Fjern alle harde deler fra matvarene før kutting (f.eks. eplestilk, treaktige områder på kålroten osv.) for å unngå skader på kutteknivene.

Dette produktet skal ikke brukes av barn eller av personer med reduserte fysiske, sensoriske eller mentale evner, eller av personer som mangler erfaring med slike produkter, med mindre de er gitt tilstrekkelig opplæring eller er under tilsyn.

PAKKE UT

Kontroller at alle deler er inkludert, at maskinen fungerer og at ingenting er blitt skadet under transport. Krav må fremmes overfor leverandøren av maskinen innen åtte dager etter levering.

INSTALLASJON

Fjern kniven fra bollen før installasjon.

Koble maskinen til et strømnett som samsvarer med spesifikasjonene på typeskiltet på baksiden av maskinbasen.

Plasser maskinen på stødig benk eller bord i en høyde på 650-900 mm.

Monter vegghyllen for kutteredskapene og utmatingsplaten på en vegg i nærheten av maskinen.

KONTROLLER ALLTID FØLGENDE FØR BRUK

MED GRØNNSAKSKUTTETILBEHØRET:

Trekk støpslet ut av stikkkontakten eller åpne skillebryteren. Kontroller deretter at strømkabelen er i god stand og at den ikke er sprukket på utsiden.

Fjern grønnsakskuttetilbehøret, eventuelle kutteredskaper og utmatingsplaten i samsvar med instruksjonene under overskriften "Demontering". Kontroller deretter at maskinen ikke starter når hastighetsknappen er i posisjon "II".

Monter maskinen i samsvar med instruksjonene under overskriften "Montering". Sett hastighetsknappen i posisjon "II". Kontroller at maskinen stopper når håndtaket på grønnsaksblandetilbehøret vipres opp og at akselen slutter å rotere innen 2 sekunder. Kontroller deretter at maskinen starter opp igjen når håndtaket vipres ned.

Kontroller at gummiføttene på maskinbasen er skrudd godt på plass.

Om kutteredskapene, se side 55.

Hvis det oppstår feil eller funksjonsfeil, må du kontakte en fagperson for å utbedre feilen før maskinen kan tas i bruk.

MED HURTIGKUTTETILBEHØRET:

Trekk støpslet ut av stikkkontakten eller åpne skillebryteren. Kontroller deretter at strømkabelen er i god stand og at den ikke er sprukket på utsiden.

Monter bollen, kniven og lokket. Sett hastighetsknappen i posisjon "II". Kontroller deretter at akselen slutter å rotere innen 4 sekunder etter at lokket fjernes ved å vri det mot urviseren så langt det går.

Fjern lokket, kniven og bollen. Drei hastighetsknappen til posisjon "II" og kontroller at maskinen ikke starter.

Kontroller at gummiføttene på maskinen er skrudd godt på plass.

Kontroller at knivene er i god stand og at de er skarpe.

Hvis det oppstår feil eller funksjonsfeil, må du kontakte en fagperson for å utbedre feilen før maskinen kan tas i bruk.

TYPE TILBEREDNING

MED GRØNNSAKSKUTTETILBEHØRET:

Skiver, lager terninger, river, strimler, rifler skiver i mange ulike størrelser, avhengig av valgt kutteredskap. Kutter grønnsaker, frukt, tørt brød, ost, nøtter, sopp osv.

Det store materommet brukes hovedsakelig til innmating av store mengder med alle typer produkter og for å kutte opp større produkter, f.eks. kål.

Det store materommet brukes også når produktet skal kuttes i en spesiell retning, for

eksempel tomater og sitroner. Plasser/stable produktene som vist på bildet.

Det integrerte materøret brukes til å kutte lange produkter, for eksempel agurk, se bildet.

MED HURTIGKUTTETILBEHØRET:

Kutter, knuser, mikser og blander malt kjøtt, kryddersmør, dressing, desserter, puréer, patéer, supper osv. Behandler kjøtt, fisk, frukt, grønnsaker, løk, persille, nøtter mandler, parmesan, sopp, sjokolade osv.

BRUKERE

Restauranter, butikk-kjøkken, kaféer, bakerier, diettkjøkken, aldershjem, skoler, gatekjøkken, barnehager, salatbarer osv.

KAPASITET

BRUKE

GRØNNSAKSKUTTETILBEHØRET

Opp til 80 porsjoner per dag og 2 kg per minutt.

BRUKE HURTIGKUTTETILBEHØRET

Mengden og størrelsen på de stykkene som kan kuttes samtidig, og hvor lang tid kuttingen tar, avhenger av konsistensen på matvarene og ønsket resultat.

For å få et jevnt og godt resultat med faste matvarer som kjøtt og ost bør de først deles opp i omtrent like store deler som ikke er større enn 3x3x3 cm.

Maksimal anbefalt mengde maskinen bør blande samtidig, er angitt under.

- Kjøtt: 1 kg
- Fisk: 1 kg
- Kryddersmør: 1 kg
- Majones: 1 liter
- Persille: 1 liter

SKRAPEN

HURTIGKUTTETILBEHØRET:

Ha alltid skrapen installert under all form for behandling siden de tre skrapebladene reduserer rotasjonshastigheten på matvarene i bollen og fører matvarene mot midten/kutteområdet i bollen.

Ved å vri håndtaket på skrapen fram og tilbake kan lokket og veggene i bollen enkelt skrapes av, og matvarene kommer tilbake til kutteområdet mens maskinen går.

MONTERING

GRØNNSAKSKUTTETILBEHØRET:

Plasser utmatingsplaten på akselen, roter utmatingsplaten og trykk den ned i koblingen.

Plasser deretter valgt kutteredskap på akselen og roter kutteredskapen slik at den går ned i koblingen.

Når du skal lage terninger: Plasser terningsgitteret med den skarpe eggen på knivene opp,

slik at sporet på siden av gitteret går inn i sporet på maskinbasen. Plasser deretter skiveren på akselen og roter den slik at den går ned i koblingen.

Plasser grønnsakskuttetilbehøret på maskinbasen slik at teksten "Close Open" står i klokken 5 i forhold til utløpet på maskinbasen. Vri grønnsakskuttetilbehøret med urviseren til det stopper og sitter godt fast.

HURTIGKUTTETILBEHØRET:

Plasser bollen på maskinbasen slik at styreplaten på bollen går i inngrep i utsparingen øverst på maskinbasen.

Plasser kniven på akselen og roter kniven mens du trykker den ned, slik at den går helt ned i koblingen.

Installer tetningsringen i sporet på innsiden av lokket.

Ta tak midt på skraperingen og plasser lokket på skraperingen.

Plasser skrapehåndtaket øverst på lokket og skraperingen under. Vri skrapehåndtaket mot urviseren til det stopper i skraperingen. Nå er de tre delene satt sammen.

Plasser lokket på bollen slik at teksten "Close Open" står i klokken 5 i forhold til utløpet på maskinbasen.

Vri lokket med urviseren til det stopper.

DEMONTERING

GRØNNSAKSKUTTETILBEHØRET:

Vri grønnsakskuttetilbehøret mot urviseren til det stopper, løft det deretter av.

Vri kutteredskapen med urviseren og løft den av.

Løft av terningsgitteret.

Løft av utmatingsplaten.

HURTIGKUTTETILBEHØRET:

Vri lokket mot urviseren til det stopper og løft av lokket/skraperen.

Trykk sammen skraperingen og skrapehåndtaket samtidig som skrapehåndtaket roteres med urviseren til det stopper. Ta de tre delene fra hverandre.

Roter kniven med urviseren så langt den går. Fjern kniven og løft av bollen. Hvis innholdet i bollen er flytende, bør det tømmes ut før du fjerner kniven.

BRUKE HASTIGHETSKNAPPEN

Når du skal lage terninger og skive skjøre matvarer som f.eks. tomater, anbefaler vi å sette hastighetsknappen i posisjon "I" for å få ekstra sakte/forsiktig behandling og best mulig resultat.

Når hastighetsknappen står i posisjon "0", er maskinen av. I posisjon "I" går maskinen kontinuerlig i lav hastighet, og i posisjon "II"

kontinuerlig i høy hastighet. I posisjon "P" (puls) går maskinen til hastighetsknappen slippes opp (hurtigkuttetilbehør).

RENGJØRING

Les alle instruksjonene før du begynner å rengjøre maskinen.

FØR RENGJØRING: Slå alltid av maskinen og trekk støpslet ut av stikkkontakten. Alternativt, hvis maskinen ikke har et støpsel, må du åpne skillebryteren. Fjern alle demonterbare deler som skal rengjøres. Hvis maskinen har hurtigkuttetilbehør, må skrapebladene og tetningsringen også fjernes.

RENGJØRING I OPPVASKMASKIN: Alle demonterbare deler kan vaskes i oppvaskmaskin.

RENGJØRING FOR HÅND: Bruk alltid håndoppvaskmiddel.

RENGJØRINGSREDSKAPER: Bruk en oppvaskbørste for å rengjøre matvareområdene. Knivakselen midt i maskinen kan rengjøres med en liten flaskebørste. Bruk en fuktig klut for å tørke av de andre overflatene på maskinen.

DESINFISERING: Bruk isopropylalkohol (65–70 %). Isopropylalkohol er svært lettantennelig, så vær forsiktig når du bruker dette.

ADVARSEL:

- Ikke tøm eller sprut vann på sidene på maskinen.
- Ikke bruk natriumhypokloritt (klor) eller andre midler som inneholder dette stoffet.
- Ikke bruk skarpe gjenstander eller andre gjenstander som ikke er tiltenkt rengjøring.
- Ikke bruk skuremidler eller rengjøringsmidler.

UNNGÅ: Ikke bruk vaskesvamber med grov pute (f.eks. Scotch-Brite™) med mindre dette er absolutt nødvendig. Dette vil ripe opp overflaten og gjøre den mindre vannavvisende.

RÅD OM STELL:

- Rengjør maskinen umiddelbart etter bruk.
- Tørk maskinen omgående etter rengjøring for å unngå oksidering og misfarging på overflaten.

INFORMASJON: Hvis maskinen blir stående fuktig over lengre tid, vil det oppstå flekker/misfarging. Disse flekkene/misfargingen er ufarlige, men den opprinnelige overflaten vil miste glansen. Grønnsaker og frukt inneholder syre. Avhengig av hvilke produkter som behandles, vil disse påvirke metallet etter en viss tid. Det er derfor viktig å rengjøre maskinen umiddelbart etter behandling av salte og syreholdige produkter.

FEILSØKING

For å hindre skader på motoren har CC-34 et termisk motorvern som automatisk slår av maskinen hvis temperaturen i motoren blir for høy. Det termiske motorvernet har en automa-

tisk tilbakestilling, som betyr at maskinen kan starte igjen når motoren har kjølt seg ned, noe som vanligvis tar mellom 10 og 30 minutter.

FEIL: Maskinen vil ikke starte eller stopper mens den er i gang og kan ikke startes opp igjen.

TILTAK: Kontroller at støpslet er plagget ordentlig inn i stikkkontakten, eller sett alternativt strømbryteren i posisjon "I". Kontroller at sikringene i veggboksen på stedet ikke er utløst og at de har riktig strømstyrke. Kontroller at grønnsakskuttetilbehøret er riktig installert og at håndtaket på grønnsakskuttetilbehøret er blitt senket ned. Kontroller at bollen og lokket er riktig plassert. Vent i minimum 30 minutter og prøv å starte maskinen på nytt. Kontakt en fagperson for å utbedre feilen.

FEIL: Lav kapasitet eller dårlig blanderesultat ved bruk av grønnsakskuttetilbehøret.

TILTAK: Velg riktig kutteredskap. Bruk alltid utmatingsplaten. Kontroller at kniver og rivjernplatene er hele og skarpe. Trykk matvarene ned med mindre kraft.

FEIL: Lav kapasitet eller dårlig blanderesultat ved bruk av hurtigkuttetilbehøret.

TILTAK: Del matvarene i små, like store deler, maks. 3x3x3 cm. Kjør maskinen i kort eller litt lengre tid. Bland sammen en liten mengde om gangen. Ha alltid skraperen installert og bruk den ved behov.

FEIL: Kutteredskapen kan ikke fjernes når grønnsakskuttetilbehøret er i bruk.

TILTAK: Bruk alltid utmatingsplaten. Bruk en tykk lærhanske eller en annen hanske slik at knivene på kutteredskapen ikke kan kutte gjennom. Fjern kutteredskapen ved å vri den med urviseren.

TEKNISKE SPESIFIKASJONER HALLDE CC-34

KAPASITET OG VOLUM: Kutter opp til 2 kg per minutt med grønnsakskuttetilbehøret, avhengig av kutteredskap og matvarer. Volum i grønnsakskuttetilbehøret: 0,9 liter. Diameter på materøret: 53 mm. Hurtigkuttetilbehør: Bruttovolum i bollen: 3 liter. Nettovolum i bollen med tyntflytende væske: 1,4 liter.

MASKINBASE: Motor: 1,0 kW. 100-120 V, enfaset, 50-60 Hz. 220-240 V, enfaset, 50/60 Hz. Termisk motorvern. Gir: Vedlikeholdsfri tannreim. Sikkerhetssystem: To sikkerhetsbrytere. Kapslingsgrad: IP34. Stikkontakt: Jordet, enfaset, 10 A. Sikring i sikringsskapet på stedet: 10 A, treg. Lydtrykknivå: LpA (EN31201): 76 dBA under kutting og 82 dBA under hakking. Magnetfelt: Mindre enn 0,1 mikrotlesla.

REGULATORER OG HASTIGHETER: Fire hastigheter (HALLDE 4-Speed) for perfekt blanderesultat med både grønnsakskuttetilbehøret og hurtigkuttetilbehøret. Automatisk hastighetsinnstilling (HALLDE Auto-Speed) som registrerer om grønnsakskuttetilbehøret

eller hurtigkuttetilbehøret er montert. Under kutting med grønnsakskuttetilbehøret går maskinen med 500 o/min i posisjon "I", og under hakking med hurtigkuttetilbehøret med 1450 o/min i posisjon "I" og 2650 o/min i posisjon "II". Pulsfunksjonen går med 2650 o/min under hakking med hurtigkuttetilbehøret, i pos "P".

KUTTEREDSKAP OG KUTTEKNIV: Diameteren på kutteredskaperen er 185 mm. Diameteren på kuttekniven er 170 mm.

NETTOVEKTER: Maskinbase: 8,6 kg. Grønnsakskuttetilbehør komplett, men uten kutteredskap: 1 kg. Kutteredskap: Ca. 0,3 kg gjennomsnitt. Hurtigkuttetilbehør komplett, men uten kniv: 1,4 kg.

NORMER/STANDARDER: NSF STANDARD 8, se samsvarserklæring.

INSTRUKCJA OBSŁUGI

HALLDE CC-34 (PL)

OSTRZEŻENIE!

Należy uważać, aby nie zranic się ostrymi nożami lub ruchomymi elementami urządzenia.

Urządzenie należy przenosić, chwytając za dwa uchwyty znajdujące się po bokach podstawy.

Nie wolno wkładać rąk do miski ani komory podajnika i rury do wkładania produktów.

Podczas krojenia produktów z wykorzystaniem podajnika do przetwarzania warzyw należy zawsze używać dociskacza.

Przed rozpoczęciem czyszczenia urządzenia należy je zawsze wyłączyć, ustawiając przełącznik prędkości w pozycji „O”, a następnie wyjąć wtyczkę z gniazda sieciowego lub wyłączyć wyłącznik izolacyjny.

Zawsze trzymaj za uchwyt na podajniku do przetwarzania warzyw podczas otwierania lub zamykania komory podajnika.

Naprawę urządzenia i inne czynności wymagające otwarcia jego podstawy może wykonywać wyłącznie autoryzowany serwis.

Nie wolno używać podajnika do przetwarzania warzyw do cięcia zamrożonej żywności. Przed przetwarzaniem żywności usuń z niej wszystkie twarde części (np. ogonki jabłek, zdrewniałe części rzepy), aby uniknąć uszkodzenia ostrzy tnących.

Urządzenie to nie jest przeznaczone do użytkowania przez dzieci lub osoby z ograniczonymi zdolnościami fizycznymi, sensorycznymi lub umysłowymi albo osoby z brakiem doświadczenia, chyba że są one pod nadzorem lub są odpowiednio instruowane w zakresie użytkowania.

ROZPAKOWYWANIE

Sprawdź, czy wszystkie części zostały dostarczone, czy urządzenie pracuje prawidłowo i czy podczas transportu żaden element nie został uszkodzony. Dowolne braki lub wady należy zgłosić dostawcy urządzenia w terminie ośmiu dni od dnia dostarczenia urządzenia.

INSTALACJA

Przed instalacją wyjmij ostrza z miski.

Podłącz urządzenie do odpowiedniego gniazda sieciowego zgodnego ze specyfikacją na tabliczce znamionowej umieszczonej na tylnej ścianie podstawy.

Ustaw urządzenie na stabilnym blacie kuchennym lub stole o wysokości 650-900 mm.

Zamontuj wieszak na narzędzia tnące i płytę wyrzutnika na ścianie w pobliżu maszyny.

ZAWSZE SPRAWDZAJ PRZED UŻYCIEM

PODAJNIKA DO PRZETWARZANIA WARZYW:

Wyciągnij wtyczkę z gniazda sieciowego lub wyłącz wyłącznik izolacyjny, a następnie sprawdź, czy przewód jest w dobrym stanie, a izolacja nie jest uszkodzona.

Zdemontuj podajnik, narzędzia tnące oraz tarczę wyrzucającą zgodnie z instrukcjami umieszczonymi w części „Demontaż”, a następnie upewnij się, że urządzenie nie uruchamia się po ustawieniu pokrętła regulacji prędkości w pozycji „II”.

Zmontuj urządzenie zgodnie z zaleceniami instrukcji w dziale „Montaż”. Ustaw pokrętło regulacji prędkości w pozycji „II”. Sprawdź, czy urządzenie wyłącza się po podniesieniu uchwyty podajnika i czy wał napędowy przestaje obracać się w ciągu 2 sekund. Sprawdź, czy urządzenie ponownie uruchamia się po jego opuszczeniu.

Sprawdź, czy gumowe nóżki w podstawie urządzenia są mocno przykręcone.

Szczegóły dotyczące narzędzi tnących na stronach 55.

W przypadku uszkodzenia lub nieprawidłowości, przed rozpoczęciem użytkowania urządzenia wezwij specjalistyczny serwis w celu usunięcia usterek.

MONTAŻ MISY:

Wyciągnij wtyczkę z gniazda sieciowego lub wyłącz wyłącznik izolacyjny, a następnie sprawdź, czy przewód jest w dobrym stanie, a izolacja nie jest uszkodzona.

Zamontuj misę, nóż oraz pokrywę. Ustaw pokrętło regulacji prędkości w pozycji „II”, odsuń pokrywę obracając ją w lewo do oporu i sprawdź, czy wał napędowy zatrzymuje się w ciągu czterech sekund.

Zdemontuj pokrywę, nóż oraz misę. Ustaw pokrętło regulacji prędkości w pozycji „II” i upewnij się, że urządzenie nie uruchamia się.

Sprawdź, czy gumowa podstawa urządzenia jest odpowiednio zamocowana.

Sprawdź, czy noże są w dobrym stanie i dostatecznie ostre.

W przypadku nieprawidłowości, przed rozpoczęciem użytkowania urządzenia wezwij specjalistyczny serwis w celu usunięcia usterek.

MOŻLIWOŚCI

PODAJNIKA DO PRZETWARZANIA WARZYW:

Tnie w plastry, kroi w kostkę, w słupki (julienne),

plastry karbowane oraz wiórki w zależności od wybranego narzędzia tnącego. Przetwarza warzywa, owoce, suchy chleb, ser, orzechy, grzyby, itp. Duża komora podajnika służy do krojenia dużych ilości każdego rodzaju produktów, a także do krojenia większych produktów, takich jak kapusta.

Duża komora podajnika jest używana także do krojenia produktów w ściśle określonym kierunku, np. podczas krojenia w plastry pomidorów i cytryn. Wkładaj/umieszczaj produkty tak jak wskazano na obrazku.

Rura do wkładania produktów jest używana głównie podczas obróbki podłużnych produktów, takich jak ogórki.

MONTAŻ MISY:

Sieka, uciera, miksuje i miesza mielone mięso, masło smakowe, dressingi, desery, purée, pasty, zupy itp. Przetwarza mięso, ryby, owoce, warzywa, cebulę, pietruszkę, orzechy, migdały, parmezan, grzyby, czekoladę itp.

PRZEZNACZENIE

Restauracje, kawiarnie, bary, kuchnie dietetyczne, sanatoria, szpitale, szkoły, bary szybkiej obsługi, firmy cateringowe, bary sałatkowe itp.

POJEMNOŚĆ

Z ZASTOSOWANIEM PODAJNIKA DO PRZETWARZANIA WARZYW:

Do 80 porcji dziennie oraz 2 kg na minutę.

Z ZASTOSOWANIEM MISY:

Ilości i rozmiary poszczególnych kawałków produktów, które można przetwarzać podczas jednego napełnienia, a także czas obróbki, zależą od konsystencji produktów oraz od wymaganych wyników obróbki.

W celu uzyskania dobrych wyników, twarde produkty, takie jak mięso, sery itp. należy wcześniej pokroić na równe kawałki, nie większe niż 3x3x3 cm.

Poniższa tabela przedstawia zalecane maksymalne ilości jednorazowego przetwarzania poszczególnych produktów.

- Mięso: 1 kg
- Ryby: 1 kg
- Masło smakowe: 1 kg
- Majonez: 1 litr
- Nać pietruszki: 1 litr

SKROBAK

Podczas pracy należy zawsze korzystać ze skrobaka, ponieważ trzy jego ostrza spawalniają obroty żywności w misie i kierują je do środka, czyli do strefy krojenia w misie.

Obracanie uchwyty skrobaka do przodu i do tyłu powoduje zbieranie produktów z pokrywy i ścianek miski i przemieszczanie ich do strefy krojenia podczas pracy urządzenia.

MONTAŻ

PODAJNIKA DO PRZETWARZANIA WARZYW:

Umieść tarczę wyrzucającą na wale napędowym, a następnie obróć i dociśnij, aby osadzić ją na połączeniu.

Następnie załóż wybrane narzędzie tnące na wał napędowy i obróć je, aby osadzić na połączeniu.

Do krojenia w kostkę: zainstaluj kratkę do krojenia w kostkę z ostrymi krawędziami ostrzy skierowanymi do góry, aby wgłębienie z boku kratki pasowało do wycięcia w podstawie urządzenia. Następnie załóż tarczę tnącą na wał napędowy i obróć ją aby osadzić na połączeniu.

Umieść podajnik na podstawie urządzenia tak, aby tekst „Close Open” („Zamknięte Otwarte”) znajdował się w pozycji odpowiadającej godzinie piątej na tarczy zegara w stosunku do wylotu na podstawie urządzenia, a następnie przekręć podajnik maksymalnie w prawo aż do zatrzaśnięcia.

MONTAŻ MISY:

Umieść misę na podstawie urządzenia w taki sposób, aby jej występ blokujący znalazł się w zagłębieniu w górnej części podstawy.

Umieść nóż na wale napędowym, a następnie obróć go jednocześnie naciskając, aby zamocować go prawidłowo w gnieździe.

Umieść pierścień uszczelniający w rowku na wewnętrznej stronie pokrywy.

Uchwyć środek pierścienia skrobaka i umieść pokrywę na pierścieniu skrobaka.

Umieść uchwyt skrobaka na górze pokrywy a pierścień skrobaka pod pokrywą. Przekręć uchwyt skrobaka w lewo do oporu aż do połączenia wszystkich trzech części.

Umieść pokrywę na misie w taki sposób, aby napis „Close Open” znalazł się w położeniu godziny 5 patrząc od strony wylotu podstawy urządzenia.

Przekręć pokrywę w prawo do oporu.

DEMONTAŻ

PODAJNIKA DO PRZETWARZANIA WARZYW:

Przekręć podajnik maksymalnie w lewo, a następnie wyciągnij go.

Przekręć narzędzia tnące w prawo, a następnie wyciągnij je.

Wyciągnij kratkę do krojenia w kostkę.

Wyciągnij tarczę wyrzucającą.

DEMONTAŻ MISY:

Przekręć pokrywę w lewo do oporu, a następnie wyciągnij pokrywę/skrobak.

Dociśnij do siebie pierścień i uchwyt skrobaka, przekręć uchwyt maksymalnie w prawo, aż do rozdzielenia wszystkich trzech części.

Obróć nóż w prawo do oporu, a następnie wyjmij nóż i zdejmij misę. Jeżeli w misie znajduje się płynny produkt, to przed wyjęciem noża należy ją opróżnić.

KORZYSTANIE Z POKRĘTŁA REGULACJI PRĘDKOŚCI

Podczas krojenia w kostkę lub plastry delikatnych produktów, takich jak pomidory itp., zaleca się ustawienie pokrętki regulacji prędkości w pozycji „I” w celu uzyskania wolnej pracy urządzenia i najlepszych wyników.

W pozycji „O” pokrętki sterującego urządzenie jest wyłączone. W pozycji „I” urządzenie pracuje w sposób ciągły, natomiast w pozycji „II” w sposób ciągły z wysoką prędkością. W pozycji „P” (praca impulsowa) urządzenie pracuje aż do zwolnienia pokrętki regulacji prędkości (z zainstalowaną misą).

CZYSZCZENIE

Przed przystąpieniem do czyszczenia urządzenia zapoznaj się ze wszystkimi instrukcjami.

PRZED ROZPOCZĘCIEM CZYSZCZENIA: Urządzenie należy zawsze najpierw wyłączyć, a następnie wyjąć wtyczkę z gniazda sieciowego. Jeżeli urządzenie nie posiada gniazdka, wyłączyć wyłącznik izolacyjny. Zdemontuj wszystkie zdejmowane części, które należy wyczyścić. Jeżeli urządzenie jest wyposażone w pionowy siekacz/mikser, usuń ostrza skrobaka oraz pierścień uszczelniający.

MYCIE W ZMYWARCE: Wszystkie zdejmowane części można myć w zmywarce.

MYCIE RĘCZNE: Należy zawsze używać płynu do mycia naczyń.

ŚRODKI DO CZYSZCZENIA: Do czyszczenia używaj szczotki do naczyń. Do czyszczenia wału napędowego noża w środku urządzenia można użyć małej szczotki do czyszczenia butelek. Do czyszczenia innych powierzchni urządzenia użyj wilgotnej szmatki.

DEZYNFEKCJA: Używaj alkoholu izopropylowego (65-70%). Alkohol izopropylowy jest łatwopalny, należy zachować ostrożność podczas stosowania.

OSTRZEŻENIE:

- Obudowy urządzenia nie wolno polewać ani spryskiwać wodą.
- Nie należy używać podchlorynu sodu (chloru) ani innych środków zawierających ten związek.
- Nie używaj ostrych przedmiotów ani innych przedmiotów nie przeznaczonych do czyszczenia.
- Nie używaj żrących detergentów ani środków czystości.

UNIKAĆ: Nie należy używać gąbek do czyszczenia z powierzchnią ścierną (np. Scotch-Brite™), chyba że jest to absolutnie konieczne. Powierzchnie stają się szorstkie i mniej wodoodporne.

PORADY:

- Wyczyść urządzenie natychmiast po użyciu.
- Osusz urządzenie natychmiast po czyszczeniu, aby zapobiec utlenianiu i odbarwieniu powierzchni.

INFORMACJE: Jeżeli urządzenie pozostanie wilgotne przez dłuższy czas, pojawiają się plamy. Plamy są nieszkodliwe, lecz powierzchnia traci swój blask. Warzywa i owoce zawierają kwasy. Od rodzaju przetwarzanych produktów zależy oddziaływanie na metal po upływie jakiegoś czasu. Dlatego jest ważne natychmiastowe wyczyszczenie urządzenia po przetworzeniu słonych i kwasowych produktów.

ROZWIĄZYWANIE PROBLEMÓW

Aby wyeliminować ryzyko uszkodzenia silnika, urządzenie CC-34 zostało wyposażone w zabezpieczenie termiczne, które automatycznie odłącza zasilanie, jeśli silnik osiągnie zbyt wysoką temperaturę. Zabezpieczenie termiczne silnika posiada automatyczne nastawienie, co oznacza, że urządzenie może być ponownie uruchomione po ochłodzeniu się silnika, co trwa od 10 do 30 minut.

PROBLEM: Urządzenie nie uruchamia się lub zatrzymuje się podczas pracy i nie daje się ponownie uruchomić.

ROZWIĄZANIE: Sprawdź, czy wtyczka przewodu zasilającego została prawidłowo podłączona do gniazda sieciowego oraz czy główny przełącznik jest w pozycji „I”. Sprawdź, czy bezpieczniki w szafce bezpiecznikowej pomieszczenia nie są przepalone i czy ich wartość znamionowa jest odpowiednia. Sprawdź, czy podajnik został prawidłowo zainstalowany i czy uchwyt podajnika jest opuszczony. Upewnij się, że misa oraz pokrywa zostały prawidłowo zainstalowane. Oczekaj około 30 minut, a następnie spróbuj uruchomić urządzenie ponownie. Jeżeli urządzenie w dalszym ciągu nie można uruchomić, wezwij specjalistyczny serwis.

PROBLEM: Niska wydajność lub złe wyniki obróbki podczas korzystania z podajnika do przetwarzania warzyw.

ROZWIĄZANIE: Dobierz odpowiednie narzędzie tnące. Zawsze korzystaj z tarczy wyrzucającej. Sprawdź, czy ostrza i tarcze tnące nie są uszkodzone i czy są ostre. Delikatnie popychaj obrabiane produkty.

PROBLEM: Niska wydajność lub złe wyniki obróbki podczas korzystania z misy.

ROZWIĄZANIE: Podziel produkty na mniejsze, równe kawałki o maksymalnych rozmiarach 3x3x3 cm. Obrabiaj produkty krócej lub dłużej. Jednocześnie obrabiaj mniejsze ilości produktów. Zawsze instaluj skrobak i korzystaj z niego w razie potrzeby.

PROBLEM: Podczas korzystania z podajnika nie można zdemontować narzędzia tnącego.

ROZWIĄZANIE: Zawsze korzystaj z tarczy wyrzucającej. Użyj grubej skórzanej rękawicy lub innej, odpornej na rozcięcie, i zdemontuj narzędzie tnące, obracając je w prawo.

DANE TECHNICZNE HALLDE CC-34

POJEMNOŚĆ URZĄDZENIA I OBJĘTOŚĆ PRODUKTÓW: Urządzenie umożliwia obróbkę do 2 kg produktów na minutę (z wykorzystaniem podajnika do przetwarzania warzyw), w zależności od rodzaju narzędzi tnących i produktów. Pojemność podajnika do przetwarzania warzyw: 0,9 litra. Średnica rury do wkładania produktów: 53 mm. Całkowita pojemność miski: 3 litry. Objętość płynu netto: 1,4 litry.

URZĄDZENIE BAZOWE: Silnik: 1.0 kW. Zasilanie 100-120 V, jednofazowy, 50/60 Hz. Zasilanie 220-240 V, jednofazowy, 50/60 Hz. Termiczne zabezpieczenie silnika. Napęd: bezobsługowy pasek zębany. System bezpieczeństwa: Dwa wyłączniki bezpieczeństwa. Klasa zabezpieczenia: IP34. Gniazdo zasilające: Z uziemieniem, 1-fazowe, 10 A. Wymagany bezpiecznik w szafce elektrycznej lokalu: 10 A, zwłoczny. Poziom hałasu: LpA (EN31201): 76 dBA podczas krojenia i 82 dBA podczas szatkowania. Pole magnetyczne: poniżej 0,1 mikrotesli.

REGULACJA PRĘDKOŚCI: Cztery prędkości (HALLDE 4-SPEED) pozwalające osiągać najlepsze wyniki obróbki podczas krojenia i szatkowania. Automatyczne ustawienie prędkości (HALLDE AUTO-SPEED) rozpoznające zainstalowany podajnik lub misę. Podczas krojenia z wykorzystaniem podajnika urządzenie pracuje z prędkością 500 obr./min w pozycji „I” regulatora i 800 obr./min w pozycji „II” regulatora. Podczas szatkowania z wykorzystaniem miski urządzenie pracuje z prędkością 1450 obr./min w pozycji „I” regulatora i około 2650 obr./min w pozycji „II” regulatora. Funkcja pracy impulsowej w pozycji „P” regulatora pozwala na pracę z prędkością 2650 obr./min podczas szatkowania z wykorzystaniem miski.

NARZĘDZIA TNĄCE I OSTRZE DO SZATKOWANIA: Średnica narzędzi tnących wynosi 185 mm. Średnica ostrza do szatkowania wynosi 170 mm.

WAGA NETTO: Urządzenie bazowe: 8,6 kg. Podajnik do przetwarzania warzyw (kompletny, lecz bez narzędzi tnących): 1 kg. Narzędzia tnące: średnio około 0,3 kg. Przystawka do szybkiego szatkowania (kompletna, lecz bez ostrza): 1,4 kg.

NORMY/STANDARDY: NSF standard 8, patrz deklarację zgodności.

INSTRUÇÕES DE USO

HALLDE CC-34

(PT)

ATENÇÃO!

Tenha cuidado para não ferir as mãos nas lâminas afiadas e peças em movimento.

Transporte sempre a máquina pelas duas pegas laterais na base da máquina.

Nunca introduza as suas mãos no recipiente ou no compartimento ou tubo de alimentação do acessório de corte de legumes.

Durante as operações de corte com o tubo de alimentação do acessório de corte de legumes, utilize sempre o pilão.

Antes de limpar a máquina, desligue-a sempre, colocando o botão de controlo de velocidade na posição "0" e desligando a ficha da tomada elétrica na parede ou acionando o interruptor de isolamento.

Segure sempre na pega do acessório de corte de legumes quando o compartimento de alimentação é aberto ou fechado.

Apenas um técnico qualificado poderá abrir a base da máquina e proceder à sua reparação.

Não utilize o acessório de corte de legumes para cortar alimentos congelados. Retire todas as partes duras dos alimentos antes das operações de corte (p. ex., o talo das maçãs, as partes fibrosas mais duras dos nabos) para que estas não danifiquem as lâminas de corte.

O eletrodoméstico não pode ser utilizado por crianças ou pessoas com capacidades físicas, sensoriais ou mentais reduzidas ou com falta de experiência e conhecimento, exceto sob supervisão ou instrução adequadas.

AO DESEMBALAR

Certifique-se de que não faltam peças, que a máquina funciona corretamente e de que nada foi danificado durante o transporte. O fornecedor deverá ser notificado de eventuais reclamações no prazo de oito dias.

INSTALAÇÃO

Retire a lâmina do recipiente antes da instalação.

Ligue a máquina a uma fonte de alimentação principal de acordo com as especificações apresentadas na placa de identificação existente na parte de trás da base da máquina.

Coloque a máquina sobre uma bancada ou

mesa firme, com 650-900 mm de altura.

Monte o suporte de parede para os utensílios de corte e a placa ejetora numa parede próxima da máquina.

VERIFICAR SEMPRE ANTES DE UTILIZAR

COM O ACESSÓRIO DE CORTE DE LEGUMES:

Retire a ficha da tomada elétrica ou acione o interruptor de isolamento e depois verifique se o cabo elétrico está em boas condições e não apresenta fissuras.

Retire o acessório de corte de legumes, quaisquer utensílios de corte e a placa ejetora de acordo com as instruções referidas na secção "Desmontagem" e certifique-se depois de que a máquina não liga quando o botão de controlo de velocidade está na posição "II".

Encaixe a máquina conforme descrito na secção "Montagem". Coloque o botão de ajustamento de velocidade na posição "II". Certifique-se de que a máquina para quando a pega do acessório de corte de legumes é levantada e de que o eixo/veio para de rodar nos 2 segundos seguintes. Depois, assegure-se de que a máquina volta novamente a funcionar quando a pega é baixada.

Certifique-se de que os apoios de borracha da base da máquina estão bem apertados na devida posição.

Para mais informações sobre utensílios de corte, consulte as páginas 55.

Em caso de avaria ou funcionamento incorreto, contacte um técnico qualificado para reparar a avaria antes de voltar a utilizar a máquina.

COM O ACESSÓRIO DE CORTE/ RECIPIENTE:

Retire a ficha da tomada elétrica ou acione o interruptor de isolamento e depois verifique se o cabo elétrico está em boas condições e não apresenta fissuras.

Encaixe o recipiente, a lâmina e a tampa. Coloque o botão de controlo de velocidade na posição "II" e certifique-se de que o veio para de rodar 4 segundos depois de a tampa ter sido removida, rodando-a o máximo possível no sentido dos ponteiros do relógio.

Remova a tampa, a lâmina e o recipiente. Coloque o botão de controlo de velocidade na posição "II" e certifique-se de que a máquina não liga.

Certifique-se de que os apoios de borracha da base da máquina estão devidamente apertados.

Verifique se as lâminas estão em boas condições e afiadas.

Em caso de avaria ou funcionamento incorreto, contacte um técnico qualificado para reparar a avaria antes de voltar a utilizar a máquina.

TIPO DE PROCESSAMENTO

COM O ACESSÓRIO DE CORTE DE LEGUMES:

Dependendo do tipo de utensílio de corte selecionado é possível fatiar, cortar aos cubos, ralar, triturar, cortar em juliana e fazer cortes ondulados com várias espessuras. Processa legumes, fruta, pão seco, queijo, nozes, cogumelos, etc.

O compartimento de alimentação grande é principalmente utilizado para introduzir grandes quantidades de todo o tipo de alimentos, assim como para cortar produtos maiores, tais como couves.

O compartimento de alimentação grande também é utilizado quando se pretende cortar os alimentos numa determinada direção, como é o caso de tomates e limões. Coloque/empilhe o produto conforme apresentado na figura.

O tubo de alimentação incorporado é utilizado para cortar alimentos alongados, tais como pepinos.

COM O ACESSÓRIO DE CORTE/ RECIPIENTE:

Corta, pica e mistura carne picada, manteiga aromática, molhos, sobremesas, puré, paté, sopas, etc. Prepara carne, peixe, fruta, legumes, cebolas, salsa, nozes, amêndoas, queijo Parmesão, cogumelos, chocolate, etc.

UTILIZADORES

Restaurantes, estabelecimentos de comida para fora, cafés, padarias, cozinhas de produtos dietéticos, lares de idosos, escolas, cadeias de fast food, centros de dia, bares de saladas, etc.

CAPACIDADE

AO UTILIZAR O ACESSÓRIO DE CORTE DE LEGUMES

Até 80 porções por dia e 2 kg por minuto.

AO UTILIZAR O ACESSÓRIO DE CORTE/ RECIPIENTE

A quantidade e o tamanho dos alimentos simultaneamente processados, bem como a duração do processo, dependem da consistência dos alimentos e do resultado desejado.

Para se obterem resultados bons e uniformes com alimentos consistentes, tais como a carne e o queijo, estes deverão, em primeiro lugar, ser cortados em pedaços com um tamanho aproximadamente igual que não seja superior a aprox. 3x3x3 cm.

As quantidades máximas recomendadas que a máquina pode processar de uma só vez são apresentadas abaixo.

- Carne: 1 kg
- Peixe: 1 kg
- Manteiga aromatizada: 1 kg
- Maionese: 1 litro
- Salsa: 1 litro

O CORTADOR

ACESSÓRIO DE CORTE/RECIPIENTE:

Mantenha sempre o raspador encaixado durante todos os tipos de processamento, uma vez que as lâminas do raspador diminuem a rotação dos alimentos no recipiente e guiamos até ao centro/área de corte do recipiente.

Ao rodar a pega do raspador para a frente e para trás, a tampa e as paredes do recipiente podem ser facilmente raspadas e os alimentos podem voltar à área de corte durante o funcionamento da máquina.

MONTAGEM

ACESSÓRIO DE CORTE DE LEGUMES:

Coloque a placa ejetora no veio. Rode a placa e pressione até esta encaixar na respetiva conexão.

De seguida, coloque o utensílio de corte selecionado no veio e rode-o de maneira a encaixar na respetiva conexão.

Ao cortar em cubos: coloque a grade de seccionamento em cubos com o gume das lâminas para cima, de modo que a ranhura lateral da grade encaixe na saliência-guia existente na base da máquina. De seguida, coloque o utensílio de fatiar no veio e rode-o, de modo que encaixe na respetiva conexão.

Coloque o acessório de corte de legumes na base da máquina, de modo que a inscrição "Close Open" (Fechar Abrir) fique na posição correspondente às 5 horas em relação à base da máquina. Em seguida, rode o acessório de corte de legumes no sentido dos ponteiros do relógio até fixar de forma segura.

O ACESSÓRIO DE CORTE/RECIPIENTE:

Coloque o recipiente na base da máquina, de modo que a saliência de localização do recipiente encaixe na ranhura existente na parte superior da base da máquina.

Coloque a lâmina no veio e rode-a enquanto a pressiona para baixo, de modo que esta encaixe completamente na conexão.

Encaixe o anel vedante na ranhura na parte interna da tampa.

Segure no centro do anel do raspador e coloque a tampa em cima do mesmo.

Coloque a pega do raspador por cima da tampa e o anel do raspador debaixo desta. Rode a pega do raspador o máximo possível no sentido contrário ao dos ponteiros do relógio no anel do raspador e as três peças ficam unidas.

Coloque a tampa no recipiente, de modo que a inscrição "Close Open" (Fechar Abrir) fique na posição correspondente às 5 horas em relação à base da máquina.

Rode a tampa o máximo possível no sentido dos ponteiros do relógio.

DESMONTAGEM

ACESSÓRIO DE CORTE DE LEGUMES:

Rode o acessório de corte de legumes o máximo possível no sentido contrário ao dos ponteiros do relógio para o poder retirar.

Rode o utensílio de corte no sentido dos ponteiros do relógio e retire-o.

Retire a grade de seccionamento em cubos.

Retire a placa ejetora.

O ACESSÓRIO DE CORTE/RECIPIENTE:

Rode a tampa o máximo possível no sentido contrário ao dos ponteiros do relógio e retire a tampa/raspador.

Pressione a pega e o anel do raspador em conjunto e, ao mesmo tempo, rode a pega do raspador o máximo possível no sentido dos ponteiros do relógio e separe as peças.

Rode a lâmina o máximo possível no sentido dos ponteiros do relógio e retire o recipiente. Se o conteúdo do recipiente for líquido, este deverá ser esvaziado antes de a lâmina ser retirada.

UTILIZAR O BOTÃO DE CONTROLO DE VELOCIDADE

Ao cortar e fatiar alimentos delicados, como p. ex. tomate, etc., recomendamos que o botão de controlo de velocidade seja colocado na posição "I", de modo que o processamento seja acentuadamente lento/suave e se obtenham os melhores resultados.

Com o botão de controlo de velocidade na posição "0", a máquina é desligada. Na posição "I" a máquina funciona continuamente a baixa velocidade e na posição "II" funciona continuamente a uma velocidade elevada. Na posição "P" (Pulse) a máquina funciona até que o botão de controlo de velocidade seja desativado (acessório de corte/recipiente).

LIMPEZA

Leia todas as instruções antes de iniciar a limpeza da máquina.

ANTES DA LIMPEZA: Desligue sempre a máquina e retire a ficha da tomada elétrica. Alternativamente, se a máquina não tiver ficha, acione o interruptor de isolamento. Retire todas as peças amovíveis que necessitam de limpeza. Se a máquina estiver equipada com um acessório de corte/mistura vertical, remova as lâminas do raspador e o anel vedante.

LIMPEZA NA MÁQUINA DE LAVAR A LOIÇA: Todas as peças amovíveis podem ser lavadas na máquina.

LAVAR À MÃO: Utilize sempre líquido da loiça.

MATERIAIS DE LIMPEZA: Utilize uma escova de lavar loiça para limpar a zona de alimentos. O veio da lâmina, no centro da máquina, pode ser limpo com um pequeno escovilhão. Utilize um pano húmido para limpar as outras superfícies da máquina.

DESINFEÇÃO: Utilize álcool isopropílico (65–70%). O álcool isopropílico é altamente inflamável, pelo que deve ser utilizado com o máximo cuidado.

AVISO:

- Não entorne ou pulverize água nos laterais da máquina.
- Não utilize hipoclorito de sódio (cloro) ou qualquer outro agente que contenha essa substância.
- Não utilize objetos afiados ou outros objetos que não sejam apropriados para a limpeza da máquina.
- Não utilize detergentes ou produtos de limpeza abrasivos.

A EVITAR: Não utilize esponjas de limpeza com esfregão (p. ex., Scotch-Brite™), exceto se absolutamente necessário. Os esfregões arranham a superfície e tornam-na menos resistentes à água.

CONSELHOS SOBRE OS CUIDADOS A TER:

- Limpe a máquina imediatamente a seguir à sua utilização.
- Seque a máquina imediatamente após a limpeza para evitar oxidação e descoloração da superfície.

INFORMAÇÃO: Se a máquina permanecer húmida durante um longo período de tempo, podem surgir manchas. Estas manchas são inofensivas, mas a superfície original perderá o seu brilho. Os vegetais e a fruta contêm ácidos. Dependendo do tipo de alimentos que são processados, isto terá um efeito sobre o metal a longo prazo. Por conseguinte, é importante limpar a máquina imediatamente após o processamento de alimentos salgados ou ácidos.

RESOLUÇÃO DE PROBLEMAS

Para eliminar o risco de danos no motor, a CC-34 vem equipada com uma proteção térmica do motor que desliga a máquina automaticamente, se a temperatura do motor for demasiado elevada. A proteção térmica do motor é automaticamente reposta, o que significa que a máquina pode ser novamente ligada depois de o motor arrefecer, o que demora entre 10 a 30 minutos.

AVARIA: A máquina não liga ou desliga-se em funcionamento e não é possível voltar a ligá-la.

SOLUÇÃO: Verifique se a ficha está corretamente encaixada na tomada elétrica na parede ou coloque o interruptor principal na posição "I". Verifique se os fusíveis do quadro elétrico local estão intactos e têm a amperagem correta. Verifique se o acessório de corte de legumes está corretamente encaixado e se a respetiva pega foi baixada. Certifique-se de que o recipiente e a tampa estão encaixados corretamente. Aguarde 30 minutos e depois tente ligar novamente a máquina. Contacte um técnico qualificado para efetuar este trabalho.

AVARIA: Baixa capacidade ou resultados de processamento insatisfatórios ao utilizar o acessório de corte de legumes.

SOLUÇÃO: Selecione o utensílio de corte adequado. Utilize sempre a placa ejetora. Certifique-se de que as lâminas e as placas de ralar/triturar estão em boas condições e afiadas. Pressione os alimentos ligeiramente para baixo.

AVARIA: Baixa capacidade ou resultados de processamento insatisfatórios ao utilizar o acessório de corte/recipiente.

SOLUÇÃO: Corte os alimentos em pedaços mais pequenos com um tamanho aproximadamente igual que não seja superior a 3x3x3 cm. Processe por um período de tempo mais curto ou mais longo. Processe quantidades menores de cada vez. Tenha sempre o raspador encaixado e utilize-o à medida que for necessário.

AVARIA: Não é possível retirar utensílio de corte, em caso de processamento com o acessório de corte de legumes.

SOLUÇÃO: Utilize sempre a placa ejetora. Utilize uma luva grossa de cabedal ou outro tipo de luva resistente a cortes para remover o utensílio de corte, rodando-o no sentido dos ponteiros do relógio.

ESPECIFICAÇÕES TÉCNICAS HÄLLDE CC-34

CAPACIDADE E VOLUME: Processa até 2 kg de alimentos por minuto com o acessório de corte de legumes, dependendo do utensílio de corte utilizado e o tipo de alimentos. Volume do acessório de corte de legumes: 0,9 litros. Diâmetro do tubo de alimentação: 53 mm. Acessório de corte/recipiente: volume bruto do recipiente: 3 litros. Volume líquido do recipiente com fluidos pouco espessos: 1,4 litros.

BASE DA MÁQUINA: Motor: 1,0 kW. 100-120 V, monofásico, 50-60 Hz. 220-240 V, monofásico, 50/60 Hz. Proteção térmica do motor. Transmissão: correia dentada isenta de manutenção. Sistema de segurança: dois interruptores de segurança. Classe de proteção: IP34. Tomada elétrica: de ligação à terra, monofásica, 10 A. Fusível no quadro elétrico local: 10 A, com atraso. Nível de ruído: LpA (EN31201): 76 dBA em operações de corte e 82 dBA ao cortar. Campo magnético: inferior a 0,1 microtesla.

CONTROLOS E VELOCIDADES: Duas velocidades (HÄLLDE 4 velocidades) em conjunto com o acessório de corte de legumes e o acessório de corte/recipiente para resultados de processamento perfeitos. Ajustamento automático de velocidade (HÄLLDE Auto-Speed) que pressente se o alimentador ou o acessório de corte/recipiente estão encaixados. Ao cortar com o acessório de corte de legumes, a máquina funciona a 500 rpm na posição "I" e a 800 rpm na posição "II". Ao cortar com o acessório de corte/recipiente funciona a 1450 rpm na posição "I" e a 2650

rpm na posição "II". A função Pulse funciona a 2650 rpm durante o corte com o acessório de corte/recipiente, na posição "P".

UTENSÍLIOS DE CORTE E LÂMINA DE PICAR: O diâmetro dos utensílios de corte é de 185 mm. O diâmetro da lâmina de corte é de 170 mm.

PESOS LÍQUIDOS: Base da máquina: 8,6 kg. Acessório de corte de legumes completo, excluindo utensílios de corte: 1 kg. Utensílios de corte: em média, aprox. 0,3 kg. Acessório de corte rápido completo, excluindo lâmina: 1,4 kg.

NORMAS: NORMA 8 da NSF (National Sanitation Foundation, Fundação Nacional das Condições Sanitárias), ver declaração de conformidade.

РУКОВОДСТВО ПОЛЬЗОВАТЕЛЯ

HALLDE CC-34

(RU)

ВНИМАНИЕ!

Будьте очень осторожны, в особенности берегите руки при обращении с острыми ножами и подвижными деталями.

Всегда переносите устройства за две ручки, расположенные по бокам основания устройства.

Не помещайте руки в чашу, в бункер подачи или в трубу подачи насадки для обработки овощей.

Всегда пользуйтесь толкателем при проталкивании продуктов через трубу подачи насадки для обработки овощей.

Всегда выключайте устройство перед очисткой, переводя переключатель в положение "О", а затем выньте вилку питания из розетки или выключите рубильник.

Всегда держите ручки насадки для обработки овощей при открывании и закрывании бункера подачи.

Производить ремонт и открывать корпус устройства разрешается только квалифицированному специалисту по техническому обслуживанию.

Не используйте насадку для обработки овощей для переработки замороженных продуктов. Удалите все твердые частицы из продуктов перед обработкой (напр., яблочные косточки, твердые части капусты и т. п.) во избежание повреждения режущих поверхностей.

Данное устройство не должно использоваться детьми или лицами с ограниченными физическими, сенсорными или умственными способностями или лицами с недостаточным опытом обращения с подобными устройствами, если им не обеспечены соответствующие инструкции или присмотр.

РАСПАКОВКА

Убедитесь, что все детали были доставлены, устройство работает нормально, и при перевозке не возникло никаких повреждений. О любых недостатках необходимо в течение восьми дней уведомить поставщика устройства.

УСТАНОВКА

Перед установкой удалите из чаши нож.

Подключите устройство к сетевому источнику питания с характеристиками, которые соответствуют данным, указанным на табличке, закрепленной на задней стороне основания устройства.

Поместите устройство на твердую поверхность или на стол высотой 650-900 мм.

Установите настенное крепление для режущих элементов и диска сбрасывателя на стене рядом с устройством.

ВСЕГДА ПРОВЕРЯЙТЕ ПЕРЕД ИСПОЛЬЗОВАНИЕМ

НАСАДКА ДЛЯ ОБРАБОТКИ ОВОЩЕЙ:

Выньте вилку из розетки сети питания или отключите рубильник, затем проверьте состояние кабеля питания и целостность изоляции с внешней стороны.

Снимите насадку для обработки овощей, режущие элементы и диск сбрасыватель в соответствии с инструкциями, приведенными в разделе "Разборка", затем убедитесь, что устройство не включается, когда переключатель скорости находится в положении "II".

Соберите устройство в соответствии с инструкциями, приведенными в разделе "Сборка". Приведите переключатель скорости в положение "II". Убедитесь, что устройство выключается, когда ручка насадки для обработки овощей поднята, и что ось/вал прекращает вращаться через 2 секунды. Затем убедитесь, что устройство включается после опускания ручки.

Убедитесь, что резиновые опоры на основании устройства прочно привинчены.

Информация о режущих элементах приведена на стр. 55.

В случае неполадок для их устранения обратитесь к квалифицированному специалисту по техническому обслуживанию, прежде чем приступить к использованию устройства.

НАСАДКА КУТТЕР:

Выньте вилку из розетки сети питания или отключите рубильник, затем проверьте состояние кабеля питания и целостность изоляции с внешней стороны.

Установите чашу, нож и крышку. Приведите переключатель скорости в положение "II" и убедитесь, что вал прекращает вращаться через 4 секунды после снятия крышки поворотом против часовой стрелки до упора.

Снимите крышку, нож и чашу. Поверните переключатель скорости в положение "II" и убедитесь, что устройство не включается.

Убедитесь, что резиновые опоры устройства прочно привинчены.

Убедитесь, что ножи находятся в хорошем состоянии и наточены.

В случае неполадок для их устранения обратитесь к квалифицированному специалисту по техническому обслуживанию, прежде чем приступить к использованию устройства.

ТИП ОБРАБОТКИ

НАСАДКА ДЛЯ ОБРАБОТКИ ОВОЩЕЙ:

Нарезка ломтиками, кубиками, измельчение на терке, нарезка соломкой и волнистыми ломтиками разных размеров, в зависимости от выбранного режущего элемента. Обработка овощей, фруктов, сухого хлеба, сыра, орехов, грибов и т. д.

Бункер подачи используется для подачи различных продуктов и для обработки крупных продуктов, например, капусты.

Бункер подачи также используется, когда продукт необходимо нарезать в определенном направлении, например, томаты и лимоны. Загружайте и укладывайте продукты, как показано на рисунке.

Встроенная труба подачи используется для нарезки длинных продуктов, например, огурцов, см. рисунок.

НАСАДКА КУТТЕР:

Рубит, размалывает, смешивает мясной фарш, ароматическое масло, заправки, десерты, пюре, паштеты, супы и т. д. Для приготовления мяса, рыбы, фруктов, овощей, лука, петрушки, орехов, миндаля, пармезана, грибов, шоколада и т. д.

ПОЛЬЗОВАТЕЛИ

Рестораны, кухни, кафе, пекарни, диетические кухни, пансионаты для пожилых людей, школы, пункты быстрого питания, детские сады, закулочные и т. д.

ОБЪЕМ

ПРИ ИСПОЛЬЗОВАНИИ НАСАДКИ ДЛЯ ОБРАБОТКИ ОВОЩЕЙ:

До 80 порций в день, 2 кг в минуту.

ПРИ ИСПОЛЬЗОВАНИИ КУТТЕРА:

Количество и размер отдельных порций, которые можно обработать за один прием, и необходимое время обработки зависят от структуры продукта для обработки и требуемых результатов.

Для достижения оптимальных результатов твердые продукты, такие как мясо и сыр, следует предварительно разрезать на примерно равные части размером не более 3x3x3 см.

Рекомендованное максимальное количество продуктов, обрабатываемых устройством за один раз, указано ниже.

- Мясо: 1 кг
- Рыба: 1 кг
- Ароматическое масло: 1 кг
- Майонез: 1 литр
- Петрушка: 1 литр

СКРЕБОК

НАСАДКА КУТТЕР:

Всегда устанавливайте скребок во время обработки, поскольку три лезвия скребка замедляют вращение продуктов в чаше и направляют продукты в центр чаши/зону нарезания.

Поворотом рукоятки скребка назад и вперед во время работы устройства продукты легко снимаются с крышки и стенок чаши и возвращаются в зону нарезания.

СБОРКА

НАСАДКА ДЛЯ ОБРАБОТКИ ОВОЩЕЙ:

Установите диск сбрасыватель на вал, поверните диск сбрасыватель и прижмите так, чтобы он встал в соответствующий паз.

Затем установите нужный режущий элемент на вал и проверните его так, чтобы он попал в место соединения.

При нарезке кубиками: установите решетку для нарезания кубиками острыми краями вверх, так, чтобы выемка на боку решетки вошла в направляющий желоб в основании устройства. Затем установите нож для нарезки ломтиками на вал и проверните нож так, чтобы он вошел в место соединения.

Установите насадку для обработки овощей на основание устройства так, чтобы текст "Закрыть Открыть" ("Open Close") находился в положении "на 5 часов" по отношению к выходному отверстию в основании устройства, затем поверните его по часовой стрелке до упора так, чтобы он прочно закрепился в предусмотренном для него положении.

НАСАДКА КУТТЕР:

Установите чашу на основание устройства так, чтобы установочная пластина чаши вошла в паз в верхней части основания устройства.

Установите нож на вал и проверните его с нажимом так, чтобы он полностью вошел в соединительное гнездо.

Установите прокладку в бороздку на внутренней стороне крышки.

Зафиксируйте центр кольца скребка и установите крышку на кольцо скребка.

Установите рукоятку скребка сверху крышки, а кольцо скребка – снизу. Поверните рукоятку скребка против часовой стрелки так, чтобы она вошла в кольцо скребка и три детали соединились.

Установите крышку на чашу так, чтобы текст "Закрыть Открыть" ("Close Open") располагался в положении "на 5 часов" по отношению к выходу основания устройства.

Поверните крышку по часовой стрелке до упора.

РАЗБОРКА

НАСАДКА ДЛЯ ОБРАБОТКИ ОВОЩЕЙ:

Поверните насадку для обработки овощей против часовой стрелки до упора, затем снимите её.

Поверните режущий элемент по часовой стрелке и снимите его.

Снимите пластину для нарезки кубиками.

Снимите диск сбрасыватель.

НАСАДКА КУТТЕР:

Поверните крышку против часовой стрелки до упора и снимите крышку/скребок.

Прижмите кольцо скребка к рукоятке скребка, вращая рукоятку скребка по часовой стрелке до упора, и разделите три детали.

Поверните нож по часовой стрелке до упора, снимите его и выньте из чаши. Если в чаше находится жидкий продукт, ее следует опорожнить перед снятием ножа.

ИСПОЛЬЗОВАНИЕ ПЕРЕКЛЮЧАТЕЛЯ СКОРОСТИ

При нарезке кубиками или ломтиками таких нежных продуктов, как томаты и т. д. рекомендуется установить переключатель скорости в положение "I" для аккуратной обработки и достижения наилучших результатов.

В положении "O" переключателя скорости устройство выключено. В положении "I" устройство работает непрерывно на малой скорости, в положении "II" устройство работает непрерывно на высокой скорости. В положении "P" (pulse) устройство работает, пока переключатель скорости находится в нажатом положении (НАСАДКА КУТТЕР).

ОЧИСТКА

Перед очисткой устройства внимательно прочитайте все инструкции.

ПЕРЕД ОЧИСТКОЙ: Всегда отключайте устройство и вынимайте вилку из розетки. Если вилки нет, переключайте рубильник в положение "выключено". Снимите все съемные детали, которые необходимо очистить. Если устройство оснащено отсеком вертикальной режущей пластины/миксера, снимите также скребок и прокладку.

ОЧИСТКА В ПОСУДОМОЕЧНОЙ МАШИНЕ: Все съемные детали пригодны для мойки в посудомоечной машине.

ОЧИСТКА ВРУЧНУЮ: Для мойки деталей вручную используйте жидкость для ручного мытья посуды.

ЧИСТЯЩИЕ СРЕДСТВА: Используйте щетку для посуды для очистки поверхностей, соприкасающихся с обрабатываемыми продуктами. Вал ножа в центре устройства можно очистить с помощью небольшой щетки для бутылок. Другие поверхности устройства протирайте влажной тканью.

ДЕЗИНФЕКЦИЯ: Используйте изопропиловый спирт (65-70%). Изопропиловый спирт является легковоспламеняющимся веществом, поэтому с ним следует обращаться осторожно.

ВНИМАНИЕ:

- Не проливайте и не распыляйте воду на боковые поверхности устройства.
- Не используйте гипохлорит натрия (хлор) или составы, содержащие данное вещество.
- Не используйте острые предметы или предметы, не предназначенные для чистки.
- Не используйте абразивные моющие средства или очистители.

НЕ РЕКОМЕНДУЕТСЯ: Не используйте губки с абразивным покрытием (напр. Scotch-Brite™). Используйте их только в случае крайней необходимости. Их использование приводит к образованию шероховатостей на поверхности и снижению ее водоотталкивающей способности.

РЕКОМЕНДАЦИИ ПО УХОДУ:

- Очищайте устройство сразу после использования.
- Просушите устройство немедленно после очистки во избежание окисления и выцветания поверхности.

ИНФОРМАЦИЯ: Если устройство будет оставаться влажным в течение длительного времени, на его поверхности появятся пятна. Такие пятна являются безвредными, но поверхность потеряет свой первоначальный вид. Овощи и фрукты содержат кислоты. В зависимости от обрабатываемых продуктов, такие кислоты будут воздействовать на металл через определенные промежутки времени. Поэтому важно очистить устройство немедленно после обработки продуктов, содержащих соли и кислоты.

УСТРАНЕНИЕ НЕИСПРАВНОСТЕЙ

Чтобы устранить опасность повреждения мотора, устройство СС-34 оснащено тепловой защитой, которая автоматически отключает устройство, если температура мотора становится слишком высокой. Тепловая защита мотора имеет функцию автоматического сброса. Это означает, что устройство можно включить снова после охлаждения мотора. Для этого, как правило, требуется от 10 до 30 минут.

НЕИСПРАВНОСТЬ: Устройство не начинает работу или останавливается во время обработки и не включается.

СПОСОБ УСТРАНЕНИЯ: Убедитесь, что вилка плотно вставлена в розетку сети питания или переведите рубильник в положение "I". Убедитесь, что предохранители в настенной коробке для предохранителей, предназначенной для помещений, не повреждены и соответствуют

значению номинального тока. Убедитесь, что насадка для обработки овощей правильно установлена и что ручка устройства для обработки овощей опущена. Убедитесь, что чаша и крышка установлены надлежащим образом. Подождите 30 минут и попробуйте включить устройство снова. Обратитесь к квалифицированному специалисту по техническому обслуживанию.

НЕИСПРАВНОСТЬ: Низкая производительность или неудовлетворительные результаты при использовании насадки для обработки овощей.

СПОСОБ УСТРАНЕНИЯ: Выбирайте соответствующий режущий элемент. Всегда используйте диск сбрасыватель. Убедитесь, что ножи и терки/пластины для продольной нарезки в хорошем состоянии и наточены. Нажимайте на продукты с меньшей силой, чтобы они проходили свободно.

НЕИСПРАВНОСТЬ: Низкая производительность или неудовлетворительные результаты ПРИ ИСПОЛЬЗОВАНИИ КУТТЕРА.

СПОСОБ УСТРАНЕНИЯ: Измельчайте продукты на небольшие равномерные части размером не более 3х3х3 см. Производите обработку в течение более короткого или более длительного времени. Обрабатывайте меньшее количество продуктов с каждым разом. Всегда устанавливайте скребок и используйте его по назначению.

НЕИСПРАВНОСТЬ: Режущий элемент не снимается при использовании насадки для обработки овощей.

СПОСОБ УСТРАНЕНИЯ: Всегда используйте диск сбрасыватель. Используйте перчатки из плотной ткани или другие аналогичные перчатки, чтобы не поранить руки о режущий элемент, снимите режущий элемент, повернув его по часовой стрелке.

ТЕХНИЧЕСКИЕ ХАРАКТЕРИСТИКИ УСТРОЙСТВА HALLDE CC-34

ПРОИЗВОДИТЕЛЬНОСТЬ И ОБЪЕМ: Обработка до 2 кг в минуту с насадкой для обработки овощей, в зависимости от типа режущего элемента и продуктов. Объем насадки для обработки овощей: 0,9 литра. Диаметр трубки для подачи: 53 мм. **НАСАДКА КУТТЕР:** объем брутто чаши: 3 литра. Объем чаши для жидкостей: 1,4 литра.

УСТРОЙСТВО: Мотор: 1,0 кВт, 100-120 В, однофазный, 50-60 Гц, 220-240 В, однофазный, 50-60 Гц. Мотор с теплозащитой. Передача: зубчатый приводной ремень, не требующий технического обслуживания. Система безопасности: Два защитных выключателя. Уровень защиты: IP34. Розетка сети питания: с заземлением, однофазная, 10 А. Предохранитель в коробке для

предохранителей, предназначенной для помещений: 10 А, замедленный. Уровень шума: LpA (EN31201): 76 дБА во время нарезки и 82 дБА во время рубки. Магнитное поле: менее 0,1 мкТл.

ОРГАНЫ УПРАВЛЕНИЯ И СКОРОСТЬ: Четыре скорости (HALLDE 4-Speed) для достижения оптимальных результатов с использованием как насадки для обработки овощей, так и НАСАДКИ КУТТЕРА. Автоматическая настройка скорости (HALLDE Auto-Speed) с определением того, установлена ли насадка для обработки овощей или НАСАДКА КУТТЕР. При нарезке с использованием насадки для обработки овощей устройство работает на скорости 500 об/мин в положении "I" и 800 об/мин в положении "II", а при обработке с использованием НАСАДКИ КУТТЕРА устройство работает на скорости 1 450 об/мин в положении "I" и 2 650 об/мин в положении "II". С использованием функции "pulse" устройство работает на скорости 2 650 об/мин с НАСАДКОЙ КУТТЕРОМ, в положении "P". **РЕЖУЩИЕ ЭЛЕМЕНТЫ И ИЗМЕЛЬЧАЮЩИЙ НОЖ:** Диаметр режущих элементов 185 мм. Диаметр измельчающего ножа 170 мм.

МАССА НЕТТО: Основание устройства: 8,6 кг. Насадка для обработки овощей в сборе без режущих элементов: 1 кг. Режущие элементы: в среднем приблизительно 0,3 кг. НАСАДКА КУТТЕР в сборе без ножа: 1,4 кг.

СТАНДАРТЫ: СТАНДАРТ NSF 8, см. декларацию соответствия.

NAVODILA

HALLDE

CC-34

(SI)

POZOR!

Pazite, da se z rokami ne dotaknete ostrih rezil in gibljivih delov.

Aparat vedno prenašajte tako, da ga držite za dva ročaja na straneh podstavka aparata.

Rok nikoli ne vstavite v mešalno posodo ali v polnilni predal ali v polnilno cev nastavka za pripravo zelenjave.

Med rezanjem s polnilno cevjo nastavka za pripravo zelenjave vedno uporabite tolkač.

Pred čiščenjem aparat vedno izklopite, tako da stikalo hitrosti pomaknete v položaj »0« in nato vtikač iztaknete iz vtičnice. Aparat lahko izklopite tudi z ločilnim stikalom.

Ko polnilni predal odprete ali zaprete, vedno držite ročaj nastavka za pripravo zelenjave.

Samo usposobljen serviser lahko poseže v aparat in odpre njegovo ohišje.

Nastavka za pripravo zelenjave nikoli ne uporabite za rezanje zmrznjenih živil. Pred rezanjem iz živil odstranite vse trde dele (npr. peclje jabolk, lesnate dele repe itd.), da preprečite poškodbo rezil.

S to napravo ne smejo rokovati otroci ali osebe z zmanjšanimi fizičnimi, čutilnimi ali duševnimi zmožnostmi ter osebe s pomanjkljivimi izkušnjami s takimi napravami, razen če jim je nujen ustrezen nadzor oz. navodila.

ODSTRANITEV EMBALAŽE

Prepričajte se, da so bili dobavljeni vsi deli, da aparat pravilno deluje in da med prevozom ni prišlo do poškodb. Reklamacije dobavitelju aparata je treba vložiti v osmih dneh od dostave.

NAMESTITEV

Pred namestitvijo iz mešalne posode odstranite nož.

Aparat priključite na električno omrežje, ki je skladno s podrobnostmi na ploščici s tehničnimi podatki na hrbtni strani podstavka aparata.

Aparat postavite na čvrsto klop ali mizo, visoko 650–900 mm.

Stenski nosilec za rezalno orodje in ploščo za izmet montirajte na steno, blizu aparata.

PRED UPORABO APARAT VEDNO PREGLEJTE

Z NASTAVKOM ZA PRIPRAVO ZELENJAVE:

Iz vtičnice odstranite vtikač ali izklopite ločilno stikalo, nato pa preverite, da je električni kabel v dobrem stanju in da nima razpok.

Odstranite nastavek za pripravo zelenjave, rezalno orodje in ploščo za izmet v skladu z navodili v razdelku »Demontaža«, nato pa se prepričajte, da se aparat ne zažene, ko je nadzor hitrosti v položaju »II«.

Aparat montirajte v skladu z navodili v razdelku »Montaža«. Gumb za nastavitvev hitrosti zasukajte v položaj »II«. Prepričajte se, da se aparat zaustavi, potem ko ste dvignili ročaj nastavka za pripravo zelenjave in se os/blok z noži preneha vrteti v 2 sekundah. Nato se prepričajte, da se aparat ponovno zažene, ko ročaj spustite.

Prepričajte se, da so gumijaste nogice na podstavku aparata do konca privite v položaj.

Za informacije o rezalnem orodju glejte strani 55.

V primeru napake ali okvare stopite v stik z usposobljenim serviserjem, ki bo okvaro odpravil pred začetkom uporabe aparata.

Z NASTAVKOM REZALNIKA/MEŠALNE POSODE:

Iz vtičnice odstranite vtikač ali izklopite ločilno stikalo, nato pa preverite, da je električni kabel v dobrem stanju in da nima razpok.

Namestite mešalno posodo, nož in pokrov. Nadzor hitrosti nastavite na položaj »II«. Prepričajte se, da se blok z noži preneha vrteti v 4 sekundah, potem ko ste pokrov odstranili, tako da ste ga zasukali do konca v levo.

Odstranite pokrov, nož in mešalno posodo. Nadzor hitrosti nastavite na položaj »II« in se prepričajte, da se aparat ni zagnal.

Prepričajte se, da so gumijaste nogice do konca privite v položaj.

Prepričajte se, da so noži ostri in v dobrem stanju.

V primeru napake ali okvare stopite v stik z usposobljenim serviserjem, ki bo okvaro odpravil pred začetkom uporabe aparata.

VRSTA PREDELAVE

Z NASTAVKOM ZA PRIPRAVO ZELENJAVE:

Glede na uporabljeno rezalno orodje je z nastavkom mogoče rezati na rezine, rezati na kocke, ribati, strgati, rezati na trakce in rebrasto rezati na različne velikosti. Predela zelenjavo, sadje, suh kruh, sir, oreščke, gobe itd.

Velik polnilni predal se uporablja predvsem za dodajanje različnih vrst živil v velikih količinah in za rezanje večjih živil, kot je zelje.

Velik polnilni predal se uporablja tudi takrat, ko je živilo treba zrezati v določeni smeri, na primer paradiznike in limone. Živila položite/ naložite, kot je prikazano na sliki.

Vgrajena polnilna cev se uporablja za rezanje dolgih živil, kot so kumare (glejte sliko).

Z NASTAVKOM REZALNIKA/MEŠALNE POSODE:

Aparat seklja, melje in meša mleto meso, odišavljeno maslo, prelive, sladice, kaše, namaze, juhe itd. Pripravi meso, ribo, sadje, zelenjavo, čebulo, peteršilj, oreščke, mandlje, parmezan, gobe, čokolado itd.

UPORABNIKI

Restavracije, kuhinje v trgovinah, kavarne, pekarnice, dietne kuhinje, domovi za upokojence, šole, prodajalne hitre hrane, vrtci, solatni bari itd.

ZMOGLJIVOST

PRI UPORABI NASTAVKA ZA PRIPRAVO ZELENJAVE

Do 80 porcij na dan in 2 kg na minuto.

PRI UPORABI NASTAVKA REZALNIKA/ MEŠALNE POSODE

Količina in velikost kosov, ki jih je mogoče naenkrat predelati, ter čas, potreben za predelavo, so odvisni od gostote živil in od zelenega rezultata.

Za enakomeren in dober rezultat je trdna živila, kot sta meso in sir, treba najprej narezati na koščke približno enake velikosti, ki pa ne smejo biti večji od 3 x 3 x 3 cm.

Največje priporočene količine, ki jih aparat lahko naenkrat predela, so navedene spodaj:

- Meso: 1 kg
- Riba: 1 kg
- Odišavljeno maslo: 1 kg
- Majoneza: 1 liter
- Peteršilj: 1 liter

STRGALO

NASTAVEK REZALNIKA/MEŠALNE POSODE:

Strgalo naj bo nameščeno za vse vrste predelave, saj tri lopatice strgala upočasnijo vrtenje živil v mešalni posodi in jih usmerjajo proti sredini/rezalnemu območju mešalne posode.

Pokrov in stene mešalne posode lahko enostavno postrgate in živila med delovanjem aparata usmerite v rezalno območje tako, da ročaj strgala zasukate naprej in nazaj.

MONTAŽA

NASTAVEK ZA PRIPRAVO ZELENJAVE:

Ploščo za izmet namestite na blok z noži, zasukajte jo in jo potisnite navzdol, tako da zaskoči v položaj.

Nato izbrano rezalno orodje namestite na blok in ga zasukajte, tako da zaskoči v položaj.

Med rezanjem na kocke: mrežo za rezanje na kocke namestite tako, da so ostri robovi nožev obrnjeni navzgor in da se odprtina na strani mreže za rezanje na kocke prilega v vodilni utor na podstavku aparata. Nato rezalnik namestite na blok z noži in ga zasukajte, tako da zaskoči v položaj.

Nastavek za pripravo zelenjave namestite na podstavek aparata, tako da je napis »Close Open« (Zaprto Odprto) na položaju pete ure v primerjavi z izstopnim priključkom podstavka aparata, nato pa ga zasukajte do konca v desno, dokler ni pričvrščen v položaj.

NASTAVEK REZALNIKA/MEŠALNE POSODE:

Mešalno posodo namestite na podstavek aparata, tako da ploščo za lociranje mešalne plošče vstavite v odprtino na vrhu podstavka aparata.

Nož namestite na blok in ga zasukajte, medtem ko ga potiskate navzdol, tako da popolnoma zaskoči v položaj.

Tesnilni obroč namestite v utor na notranji strani pokrova.

Primito sredino obroča strgala in pokrov postavite na obroč strgala.

Ročaj strgala namestite na vrh pokrova in na obroč strgala pod njim. Ročaj strgala zavrtite do konca v levo v obroč strgala in trije deli se bodo združili.

Pokrov postavite na mešalno posodo, tako da je napis »Close Open« (Zaprto Odprto) na položaju pete ure v primerjavi z izstopnim priključkom podstavka aparata.

Pokrov zasukajte do konca v desno.

DEMONTAŽA

NASTAVEK ZA PRIPRAVO ZELENJAVE:

Nastavek za pripravo zelenjave zasukajte do konca v levo in ga nato snemite.

Rezalno orodje zasukajte v desno in ga snemite.

Snemite mrežo za rezanje na kocke.

Snemite ploščo za izmet.

NASTAVEK REZALNIKA/MEŠALNE POSODE:

Pokrov zasukajte do konca v levo in snemite pokrov/strgalo.

Obroč strgala in ročaj strgala pritisnite skupaj, medtem pa ročaj strgala zasukajte do konca v desno in ločite tri dele.

Nož zavrtite do konca v desno in ga snemite skupaj z mešalno posodo. Če je vsebina v mešalni posodi tekoča, je posodo treba izprazniti preden odstranite nož.

UPORABA NADZORA HITROSTI

Med rezanjem krhkih živil, kot je paradižnik ipd., priporočamo, da nadzor hitrosti nastavite v položaj »I« in s tem zagotovite dodatno počasno/rahlo predelavo in najboljše rezultate.

Ko je nadzor hitrosti v položaju »0«, je aparat izklopljen. V položaju »I« aparat deluje neprekinjeno pri nizki hitrosti, v položaju »II« pa deluje neprekinjeno pri visoki hitrosti. V položaju »P« (pulzno) aparat deluje, dokler ni gumb za nadzor hitrosti sproščen (nastavek rezalnika/mešalne posode).

ČIŠČENJE

Preden pričnete s čiščenjem aparata, preberite vsa navodila.

PRED ČIŠČENJEM: Aparat vedno izklopite in vtičač odstranite iz vtičnice. Če aparat nima vtičača, izklopite ločilno stikalo. Odstranite vse odstranljive dele, ki jih je treba očistiti. Če je aparat nameščen na navpični nastavek rezalnika/mešalnika, odstranite lopatice strgala in tesnilni obroč.

ČIŠČENJE V POMIVALNEM STROJU: Vse odstranljive dele je mogoče oprati v pomivalnem stroju.

ROČNO ČIŠČENJE: Vedno uporabite tekočino za pranje posode.

MATERIALI ZA ČIŠČENJE: Za čiščenje ostankov hrane uporabite ščetko za čiščenje posode. Blok z noži na sredini aparata lahko očistite z majhno ščetko za steklenice. Za brisanje ostalih površin aparata uporabite vlažno krpo.

RAZKUŽEVANJE: Uporabite izopropilni alkohol (65–70 %). Izopropilni alkohol je visoko vnetljiva snov, zato bodite previdni pri nanašanju.

OPOZORILO:

- Strani aparata ne polijte ali poškopite z vodo.
- Ne uporabite natrijevega hipoklorita (klor) ali drugega sredstva, ki vsebuje to snov.
- Za čiščenje ne uporabite ostrih predmetov ali predmetov, ki niso temu namenjeni.
- Ne uporabljajte abrazivnih detergentov ali čistilnih sredstev.

IZOGNITE SE: Uporabi gobice za čiščenje z grobo površino (npr. Scotch-Brite™), razen če to ni nujno potrebno. Uporaba takšne gobice naredi površino hrapavo in zmanjša njeno voodopornost.

NASVET ZA VZDRŽEVANJE:

- Aparat očistite takoj po uporabi.
- Aparat posušite takoj po čiščenju, da preprečite oksidacijo in razbarvanje površine.

INFORMACIJE: Če aparat več časa ostane vlažen, se bodo pojavili madeži. Madeži so neškodljivi, vendar bo prvotna površina izgubila svoj lesk. Zelenjava in sadje vsebujeta kisline. Glede na vrsto predelanih živil bo to po preteku različnih časovnih obdobjev učinkovalo

na kovino. Zato je aparat treba očistiti takoj po predelavi slanih ali kislih živil.

ODPRAVLJANJE TEŽAV

Za odpravljanje tveganja poškodb motorja je CC-34 opremljen z zaščito pred pregrevanjem motorja, ki aparat samodejno izklopi, če je temperatura motorja previsoka. Zaščita pred pregrevanjem motorja ima samodejno ponastavitev, kar pomeni, da je aparat mogoče ponovno zagnati, ko se je motor ohladil, to pa običajno traja od 10 do 30 minut.

OKVARA: Aparat se ne zažene ali se zaustavi, medtem ko deluje, in ga ni mogoče ponovno zagnati.

REŠITEV: Prepričajte se, da je vtičač ustrezno vstavljen v vtičnico, ali pa stikalo električnega omrežja nastavite na položaj »I«. Prepričajte se, da varovalke v omarici z varovalkami, ki se nahaja v namembnih prostorih, niso pregorele in da imajo ustrezno ampersko moč. Prepričajte se, da je nastavek za pripravo zelenjave pravilno nameščen in da je bil ročaj nastavka za pripravo zelenjave spuščten. Prepričajte se, da sta mešalna posoda in pokrov ustrezno nameščena. Počakajte do 30 minut in nato poskušajte zagnati aparat. Obrnite se na usposobljenega serviserja.

OKVARA: Nizka zmogljivost ali slabi rezultati predelave pri uporabi nastavka za pripravo zelenjave.

REŠITEV: Izberite ustrezno rezalno orodje. Vedno uporabite ploščo za izmet. Prepričajte se, da so noži in plošče za ribanje/strganje celi in ostri. Živila potisnite navzdol z manjšo silo.

OKVARA: Nizka zmogljivost ali slabi rezultati predelave pri uporabi nastavka rezila/mešalne posode.

REŠITEV: Živila zrežite na manjše kose približno enake velikosti, največ 3x3x3 cm. Predelajte za krajše ali daljše časovno obdobje. Posamezno predelajte manjše količine. Strgalo naj bo vedno nameščeno, uporabite pa ga po potrebi.

OKVARA: Pri uporabi nastavka za pripravo zelenjave rezalnega orodja ni mogoče odstraniti.

REŠITEV: Vedno uporabite ploščo za izmet. Uporabite debelo usnjeno rokavico ali drugo rokavico, ki je rezila rezalnega orodja ne morejo prerezati, in rezalno orodje odstranite tako, da ga zasukate v desno.

TEHNIČNI PODATKI ZA HÄLLDE CC-34

ZMOGLJIVOST IN PROSTORNINA: Predela do 2 kg na minuto z nastavkom za pripravo zelenjave, odvisno od vrste rezalnega orodja in živil. Prostornina nastavka za pripravo zelenjave: 0,9 litra. Premer polnilne cevi: 53 mm. Nastavek rezalnika/mešalne posode: bruto prostornina mešalne posode: 3 litra. Neto prostornina mešalne posode s prosto premikajočo tekočino. 1,4 litra.

PODSTAVEK APARATA: Motor: 1,0 kW. 100–120 V, enofazni, 50–60 Hz. 220–240 V, enofazni, 50/60 Hz. Zaščita pred pregrevanjem motorja. Menjalnik: zobati jermen, ki ga ni treba vzdrževati. Varnostni sistem: dve varnostni stikali. Stopnja zaščite: IP34. Vtičnica: ozemljena, enofazna, 10 A. Varovalka v omarici za varovalke v namembnih prostorih: 10 A, z zakasnitvijo. Raven zvoka: LpA (EN31201): 76 dBA med rezanjem in 82 dBA med sekljanjem. Magnetno polje: manj kot 0,1 mikro Tesla.

STIKALA IN HITROSTI: Štiri hitrosti (4 hitrosti HÄLLDE) za brezhibne rezultate predelave nastavka za pripravo zelenjave in nastavka rezalnika/mešalne posode. Nastavitev samodejne hitrosti (samodejna hitrost HÄLLDE), ki zazna, ali je nameščen nastavek za pripravo zelenjave ali nastavek rezalnika/mešalne posode. Med rezanjem z nastavkom za pripravo zelenjave aparat deluje pri 500 vrt./min v položaju »I« in 800 vrt./min v položaju »II«, pri sekljanju z nastavkom rezalnika/mešalne posode pa 1.450 vrt./min v položaju »I« in 2.650 vrt./min v položaju »II«. Pulzna funkcija deluje pri 2.650 vrt./min v položaju »P« med sekljanjem z nastavkom rezalnika/mešalne posode.

REZALNO ORODJE IN NOŽ ZA SEKLJANJE: Premer rezalnega orodja je 185 mm. Premer noža za sekljanje je 170 mm.

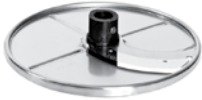
NETO TEŽE: Podstavek aparata: 8,6 kg. Nastavek za pripravo zelenjave brez rezalnega orodja: 1 kg. Rezalno orodje: približno 0,3 kg. Nastavek za hitro sekljanje brez noža: 1,4 kg.

NORME/STANDARDI: NSF STANDARD 8, glejte izjavo o skladnosti.

FITTING THE CUTTING TOOLS

WHEN USING SLICER, CRIMPING SLICER,
JULIENNE OR GRATER/SHREDDER

**CC-32S
RG-50S**



Cutting tool



Ejector plate



Knife house

**CC-34
RG-50**



Cutting tool



Ejector plate



Knife house

RG-100



Cutting tool



Ejector plate



Knife house

**RG-200
RG-250**



Decorating device



Cutting tool



Ejector plate

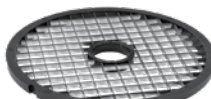


Knife house

WHEN USING DICING GRID



Slicer
from RG-100



Dicing grid



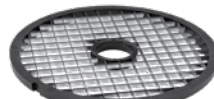
Ejector plate



Knife house



Slicer



Dicing grid



Ejector plate



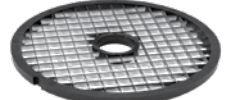
Knife house



Decorating device



Slicer



Dicing grid



Ejector plate



Knife house