



bluglass Tower

stainless
STEELTOUCH
FREEportion
control

BLUGLASS TOWER TOUCH FREE

Supply	230 V - 50 Hz
Absorbed power	30 W - 0,19 A
Inlet water pipe	Ø5/16" (8 mm)
Dispensing area height (mm)	319
Typology	Electronic tap
Net weight (kg)	8
Gross weight (kg)	10
Dimensions W x D x H (mm)	513 x 96 x 209
Packaging dimensions (mm)	800 x 260 x 255
Dispensing options	Cold still water, cold sparkling water
Materials	Robust stainless steel and tempered glass
Sensors	Touch free sensors

OTHER CHARACTERISTICS

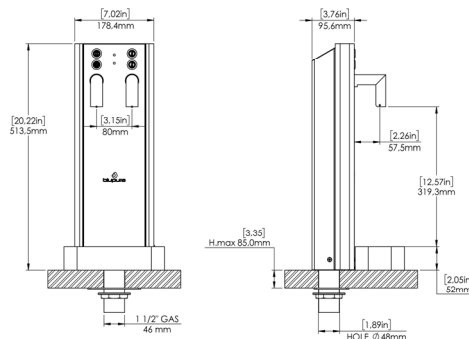
It can be connected to any type of under counter cooler.
Stainless steel drip tray
Portioning system

OPTIONAL

Nano silver pipe

Filters UV OUT (4 W)

For a proper installation of the system, the use of the WATER BLOCK is compulsory.



CERTIFICATIONS

