

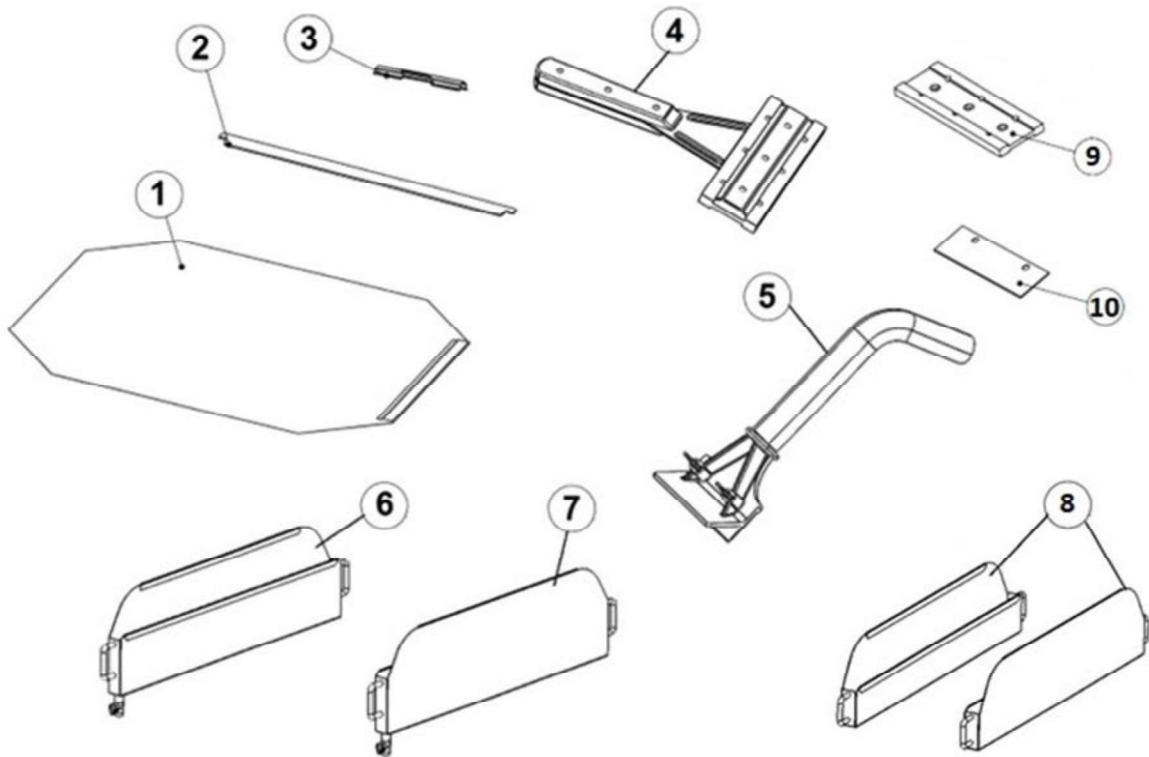
SECTION 4 | GRILL DESCRIPTION

4.7 Technical Specifications Table

Technical Details	SEN 150-EPI	SEN 300-EPI	SEN 300-1EPI	SEN 450-EPI	SEN 450-2EPI
Product Cooking Area:	0,15 m ²	0,30 m ²	0,15 m ²	0,45 m ²	0,30 m ²
Bottom Plate Heating Area:	0,20 m ²	0,40 m ²	0,40 m ²	0,60 m ²	0,60 m ²
Net Grill Weight:	191 Kg	306 Kg	256 Kg	420 Kg	370 Kg
Gross Weight:	214 Kg	338 Kg	288 Kg	464 Kg	414 Kg
Warm-up Time:	30 min	45 min	45 min	60 min	60 min
Adjustable Temperature Range (Top Plate Temperatures):	66°C-232°C	66°C-232°C	66°C-232°C	66°C-232°C	66°C-232°C
Adjustable Temperature Range (Bottom Plate Temperatures):	66°C-204°C	66°C-204°C	66°C-204°C	66°C-204°C	66°C-204°C
Electrical Current:	14A	25A	23A	37A	37A
Average Consumption:	9 kW	17,2 kW	15 kW	26 kW	23,5 kW
Adjustable Cooking Time:	1 sec–999 sec	1 sec–999 sec	1 sec–999 sec	1 sec–999 sec	1 sec–999 sec
Top Plate Material:	Aluminium	Aluminium	Aluminium	Aluminium	Aluminium
Bottom Plate Material:	Steel	Steel	Steel	Steel	Steel
Outer Body Steel:	Stainless Steel	Stainless Steel	Stainless Steel	Stainless Steel	Stainless Steel
Power Supply:	Electricity	Electricity	Electricity	Electricity	Electricity

SECTION 4 | GRILL DESCRIPTION

4.8 Accessories



NO	SPARE PART CODE	SPARE PART DESCRIPTION	QTY. (SEN 150-EPI)	QTY. (SEN 300-EPI)	QTY. (SEN 300-1EPI)	QTY. (SEN 450-EPI)	QTY. (SEN 450-2EPI)
1	010071	TEFLON SHEET	2	4	2	6	4
2	010036	TEFLON SHEET HANGER	1	2	1	3	2
3	010047	CLIP RELEASE MATERIAL	2	4	2	6	4
4	00656M	GRILL WIPER	1	1	1	1	1
5	00657M	GRILL SCRAPER	1	1	1	1	1
6	00637M	OIL WASTE BOX (LEFT)	N/A	1	1	1	1
7	00636M	OIL WASTE BOX (RIGHT)	N/A	1	1	1	1
8	00655M	OIL WASTE BOX	2	N/A	N/A	N/A	N/A
9	010259	WIPER	1	1	1	1	1
10	010232	SCRAPER SHEET	1	1	1	1	1