



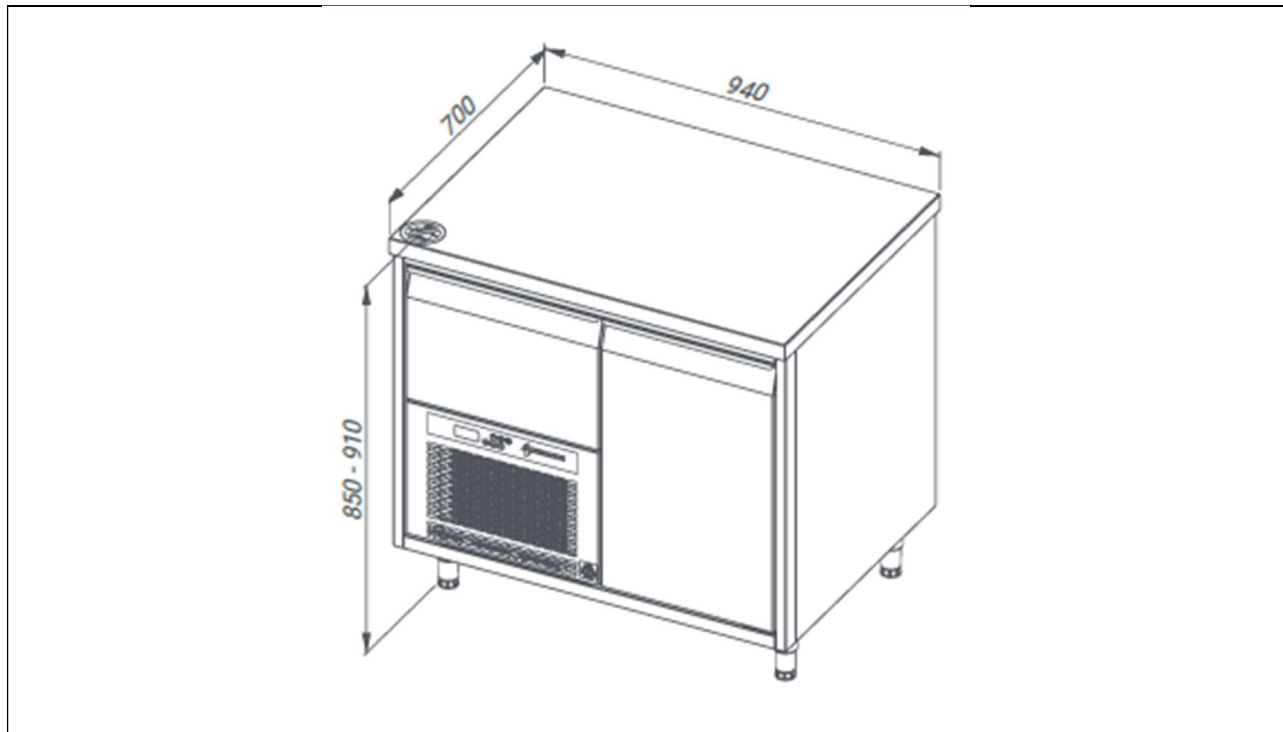
COOLING/FREEZING COUNTERS TECHNICAL SPECIFICATIONS



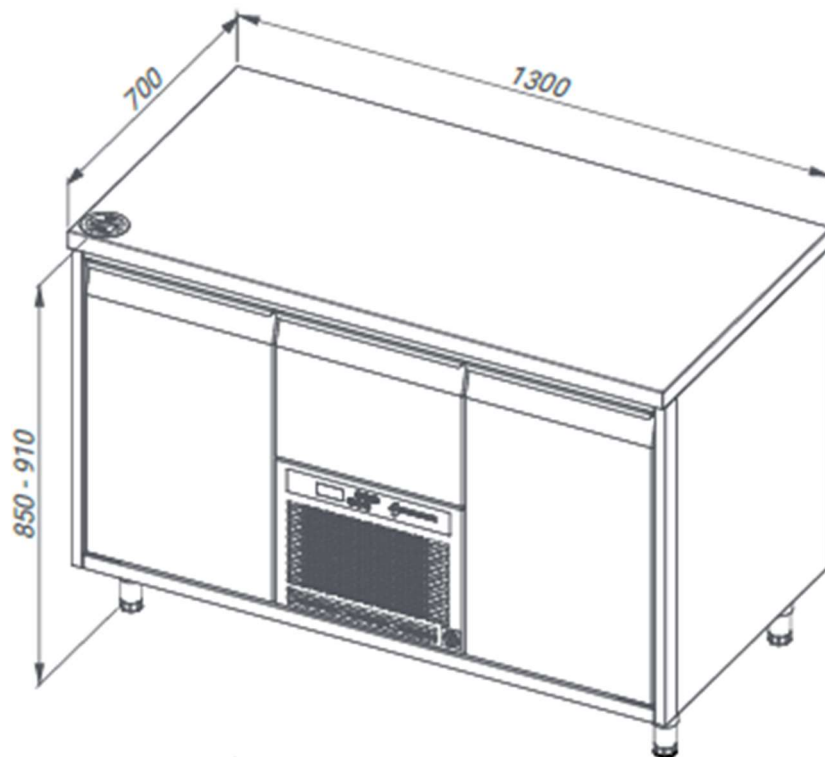
AVAILABLE OPTIONS

	1½ sections	2½ sections	3½ sections	4½ sections
With doors	F**E101	F**E202	F**E303	F**E404
For baking trays 400 x 600 mm	F**E105	F**E206	F**E307	-
With large drawers	F**E111	F**E212	F**E313	F**E414
For beer boxes 420 x 360 x 250 mm	F**E115	F**E216	F**E317	-
With small drawers	F**E121	F**E222	F**E323	F**E424
Low	F**E125	F**EP226	F**E327	F**E428
Low with a neutral drawer	F*S-E125	F*S-E226	F*S-E327	-
With doors and large drawers	-	F**E230	F**E332	F**E433
		F**E231	F**E335	F**E434
				F**E436
				F**E437
				F**E438
				F**E439
				F**E454
		F**E456		
With doors and small drawers	-	F**E240	F**E342	F**E443
		F**E241	F**E345	F**E444
				F**E445
				F**E447
				F**E448
		F**E449		

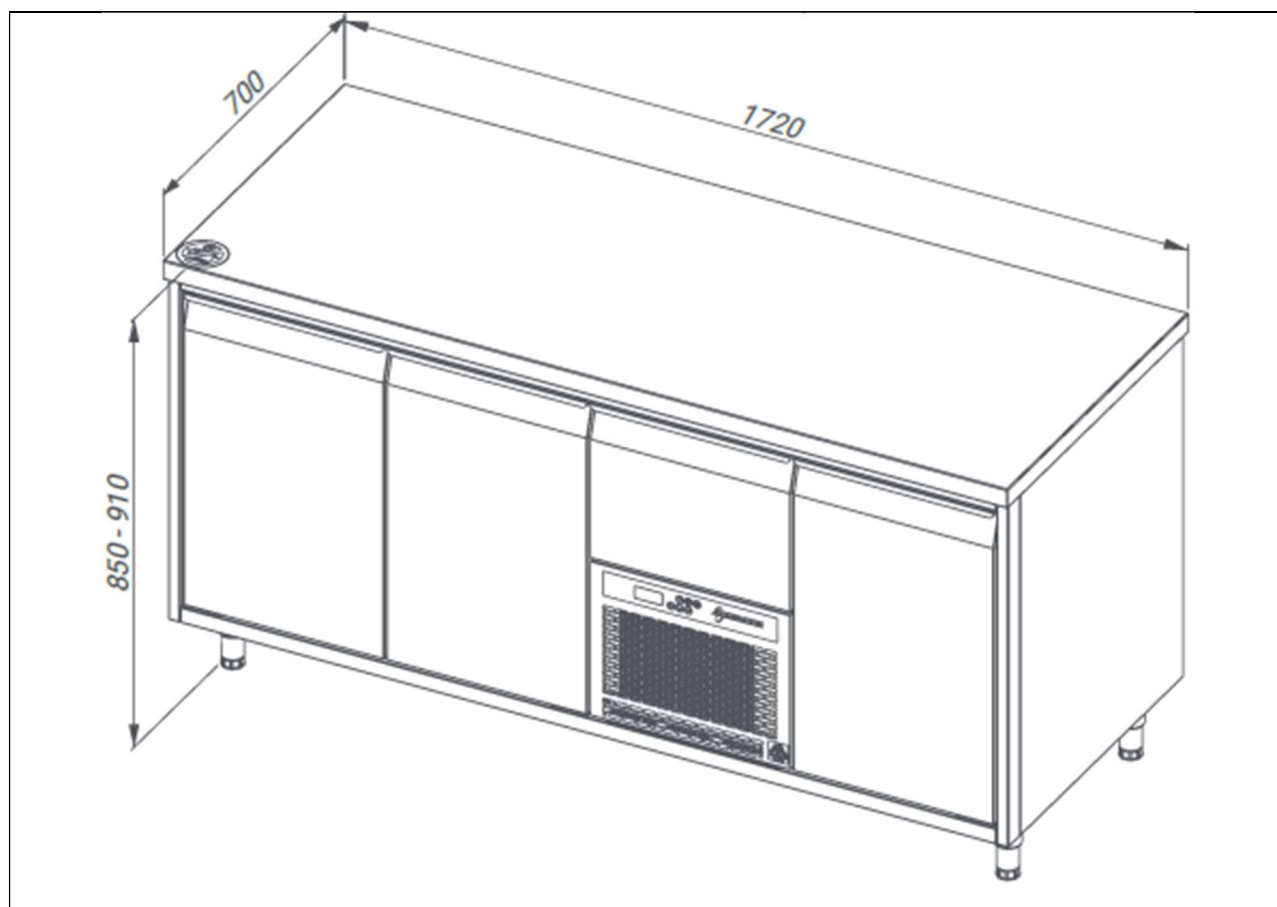
TECHNICAL SPECIFICATIONS



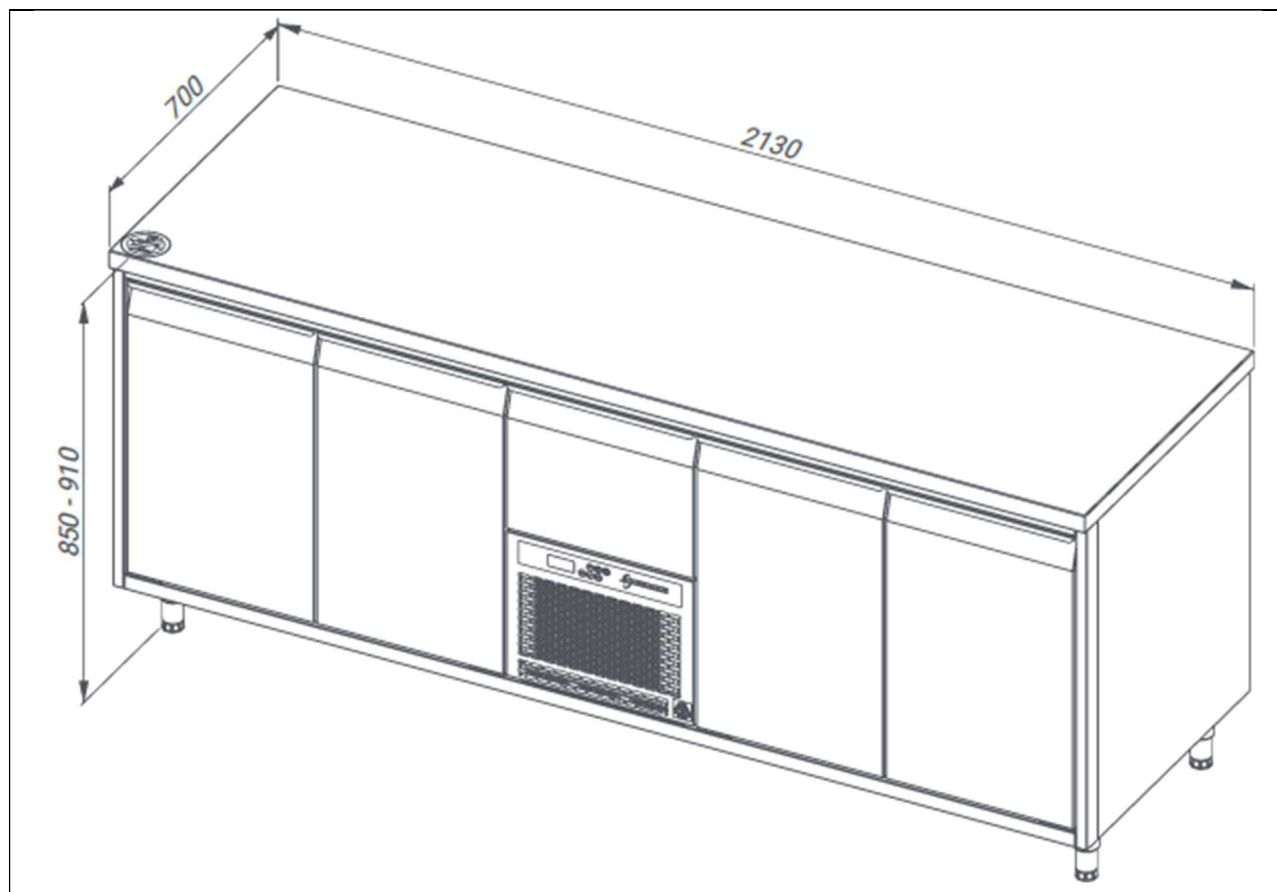
Model:	FP0-E101	FP0-N101
Monoblock:	K-ESMA-N5-T8	K-ESMP-N20-N18
Climate class:	5	3
Energy consumption:	1.14 kWh/24h	6.61 kWh/24h
Energy class:	A	F
Working temperature:	-5 ... +8 °C	-20 ... -18 °C
Input:	0.64 A	4.1 A
Power:	148 W	542 W
Voltage/frequency:	230-240 V / 50 Hz	230-240 V / 50 Hz
Weight, kg:	70	70
Cooling type:	Ventilated	Ventilated
Refrigerant:	R290	R290
Volume, l:	123	123



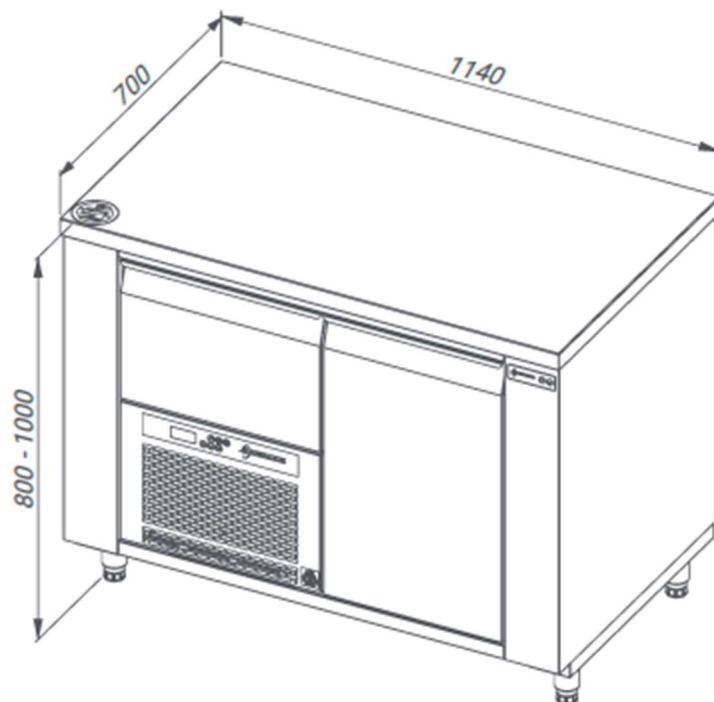
Model:	FP0-E202	FP0-N202
Monoblock:	K-ESMA-N5-T8	K-ESMP-N20-N18
Climate class:	5	3
Energy consumption:	1.24 kWh/24h	7.20 kWh/24h
Energy class:	A	E
Working temperature:	-5 ... +8 °C	-20 ... -18 °C
Input:	0.64 A	4.1 A
Power:	148 W	542 W
Voltage/frequency:	230-240 V / 50 Hz	230-240 V / 50 Hz
Weight, kg:	100	100
Cooling type:	Ventilated	Ventilated
Refrigerant:	R290	R290
Volume, l:	215	215



Model:	FP0-E303
Monoblock:	K-ESMA-N5-T8
Climate class:	5
Energy consumption:	1.33 kWh/24h
Energy class:	A
Working temperature:	-5 ... +8 °C
Input:	0.64 A
Power:	148 W
Voltage/frequency:	230-240 V / 50 Hz
Weight, kg:	130
Cooling type:	Ventilated
Refrigerant:	R290
Volume, l:	307

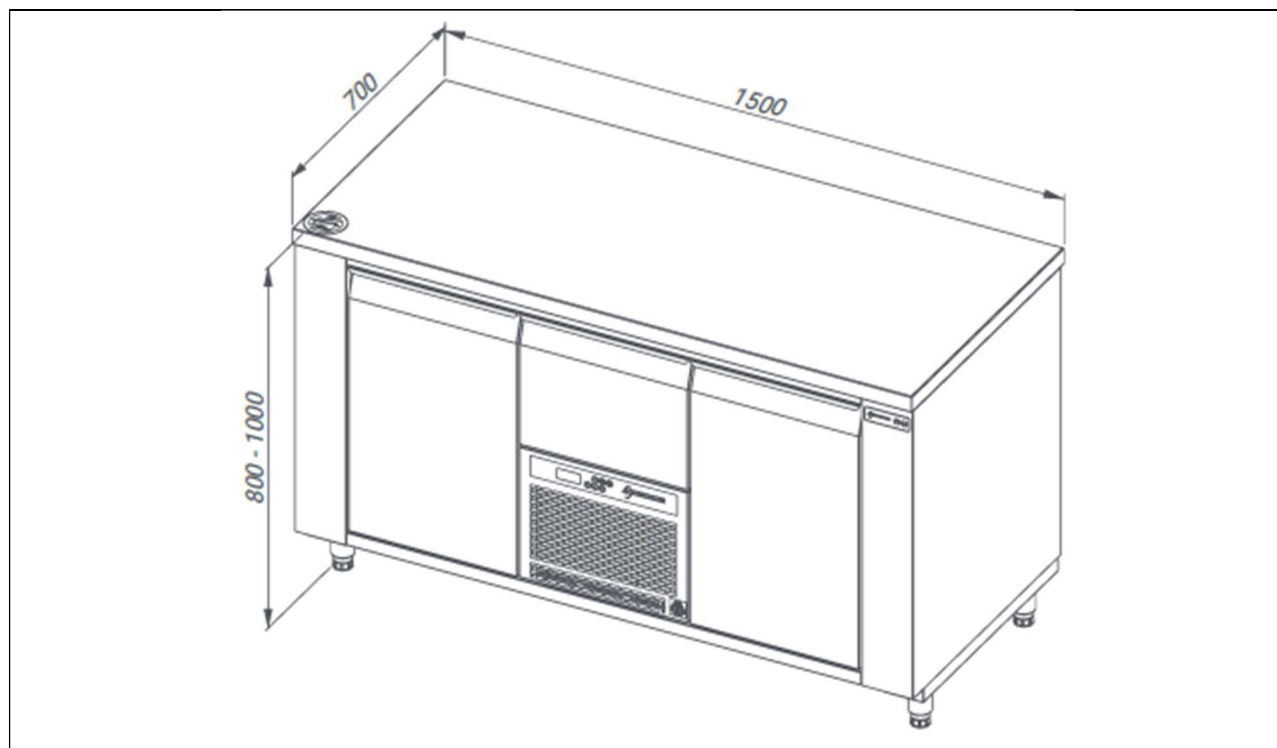


Model:	FP0-E404
Monoblock:	K-ESMA-N5-T8
Climate class:	5
Energy consumption:	1.69 kWh/24h
Energy class:	B
Working temperature:	-5 ... +8 °C
Input:	0.64 A
Power:	148 W
Voltage/frequency:	230-240 V / 50 Hz
Weight, kg:	160
Cooling type:	Ventilated
Refrigerant:	R290
Volume, l:	399



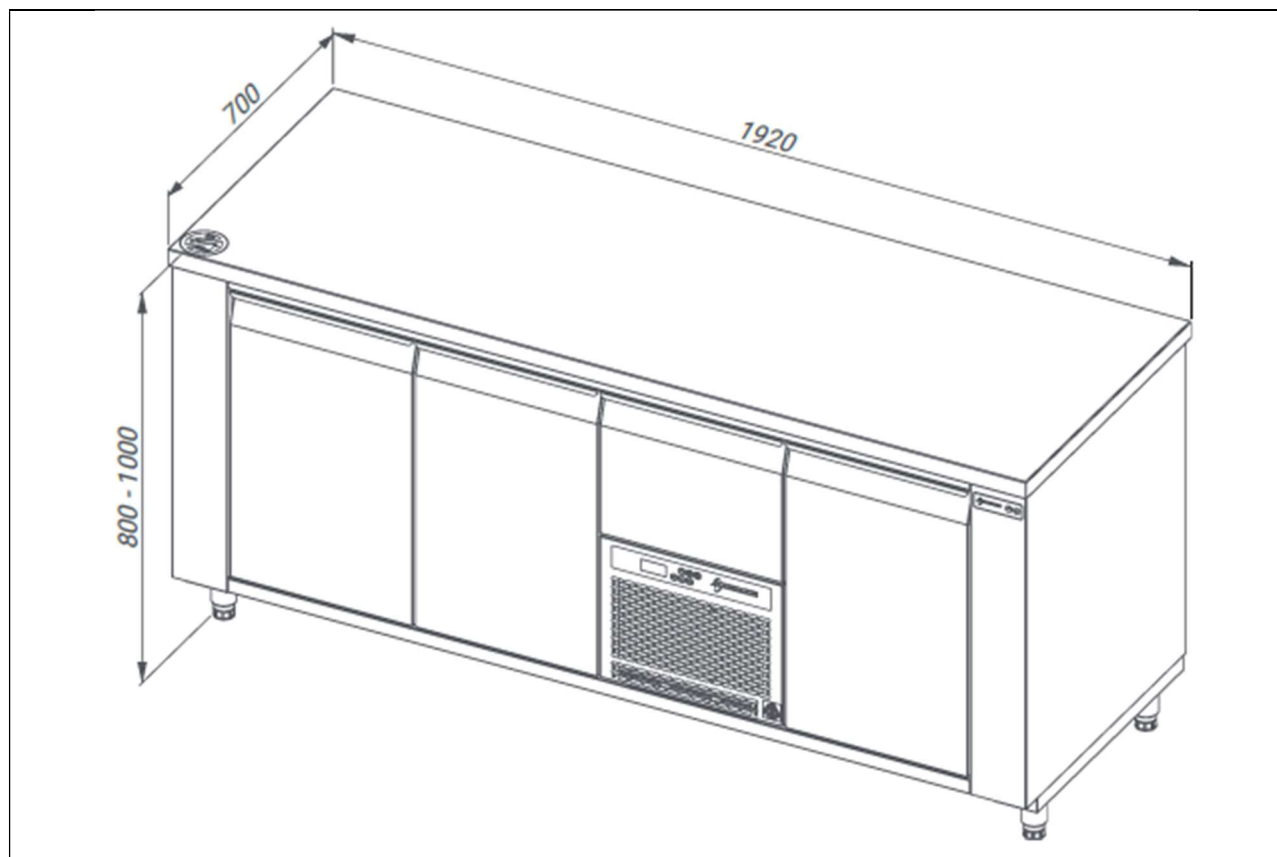
Model:	FPR-E101	FPR-N101
Monoblock:	K-ESMA-N5-T8	K-ESMP-N20-N18
Climate class:	5	3
Energy consumption:	1.14 kWh/24h	6.61 kWh/24h
Energy class:	A	F
Working temperature:	-5 ... +8 °C	-20 ... -18 °C
Input:	0.64 A	4.1 A
Power:	148 W	542 W
Voltage/frequency:	230-240 V / 50 Hz	230-240 V / 50 Hz
Weight, kg:	103	103
Cooling type:	Ventilated	Ventilated
Refrigerant:	R290	R290
Volume, l:	123	123

* Input of height adjusting mechanism - max 1.5 A



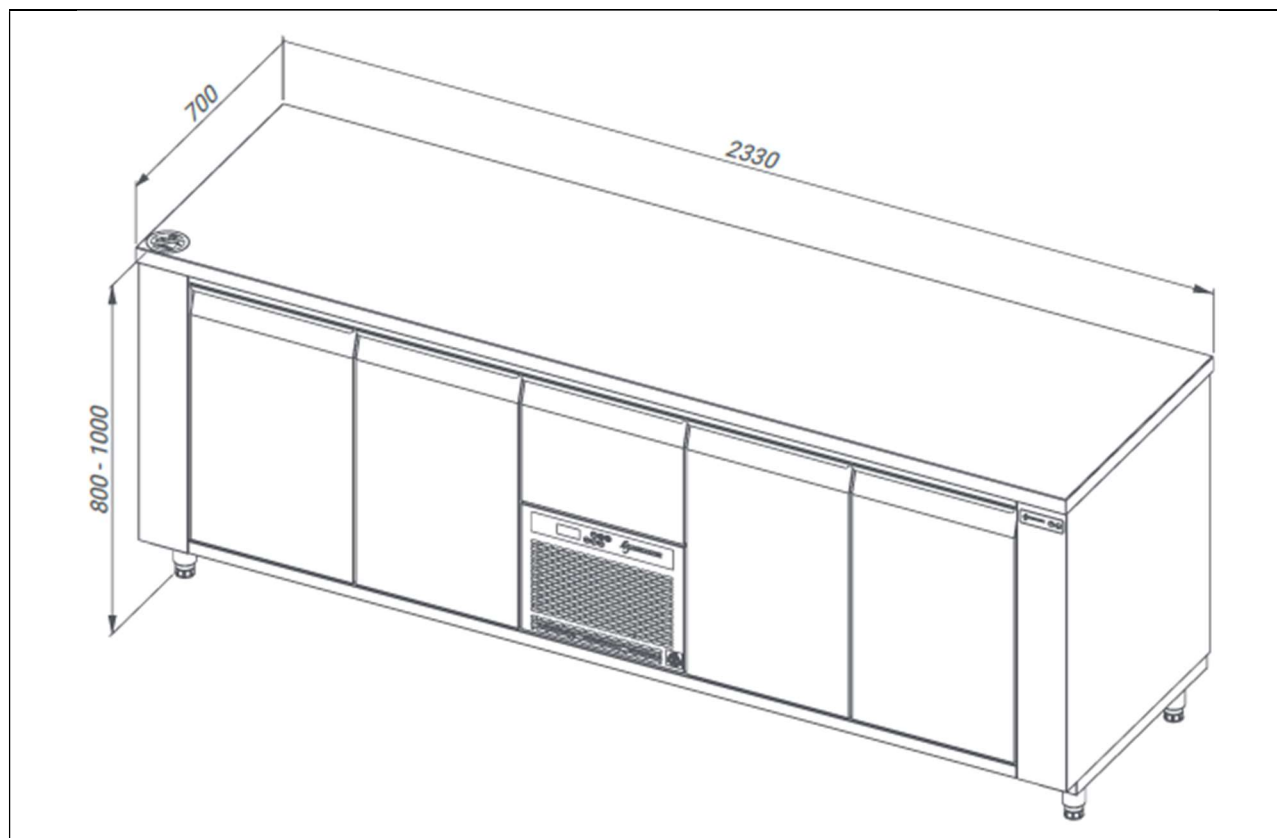
Model:	FPR-E202	FPR-N202
Monoblock:	K-ESMA-N5-T8	K-ESMP-N20-N18
Climate class:	5	3
Energy consumption:	1.24 kWh/24h	7.20 kWh/24h
Energy class:	A	E
Working temperature:	-5 ... +8 °C	-20 ... -18 °C
Input:	0.64 A	4.1 A
Power:	148 W	542 W
Voltage/frequency:	230-240 V / 50 Hz	230-240 V / 50 Hz
Weight, kg:	133	133
Cooling type:	Ventilated	Ventilated
Refrigerant:	R290	R290
Volume, l:	215	215

* Input of height adjusting mechanism - max 1.5 A



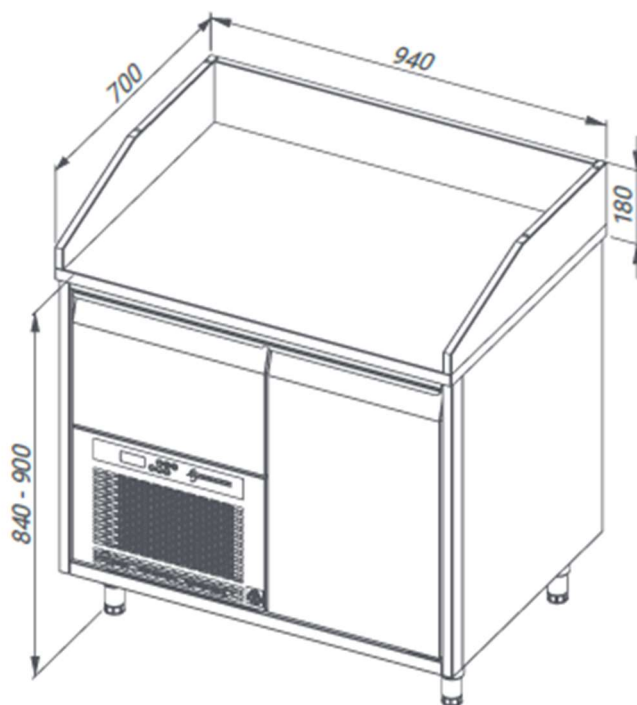
Model:	FPR-E303
Monoblock:	K-ESMA-N5-T8
Climate class:	5
Energy consumption:	1.33 kWh/24h
Energy class:	A
Working temperature:	-5 ... +8 °C
Input:	0.64 A
Power:	293 W
Voltage/frequency:	230-240 V / 50 Hz
Weight, kg:	163
Cooling type:	Ventilated
Refrigerant:	R290
Volume, l:	307

* Input of height adjusting mechanism - max 1.5 A

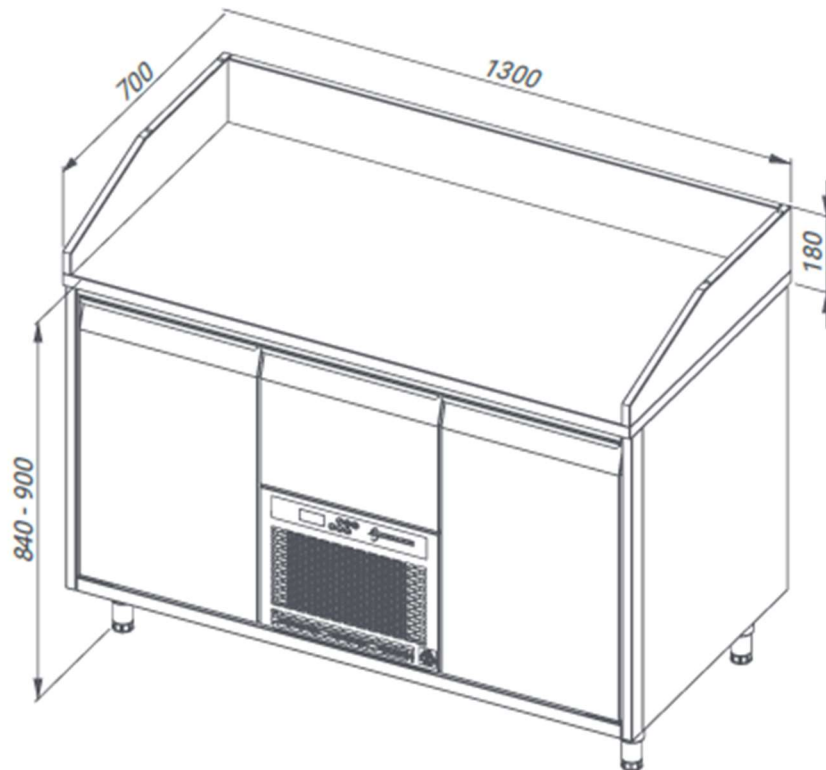


Model:	FPR-E404
Monoblock:	K-ESMA-N5-T8
Climate class:	5
Energy consumption:	1.69 kWh/24h
Energy class:	B
Working temperature:	-5 ... +8 °C
Input:	0.64 A
Power:	148 W
Voltage/frequency:	230-240 V / 50 Hz
Weight, kg:	193
Cooling type:	Ventilated
Refrigerant:	R290
Volume, l:	399

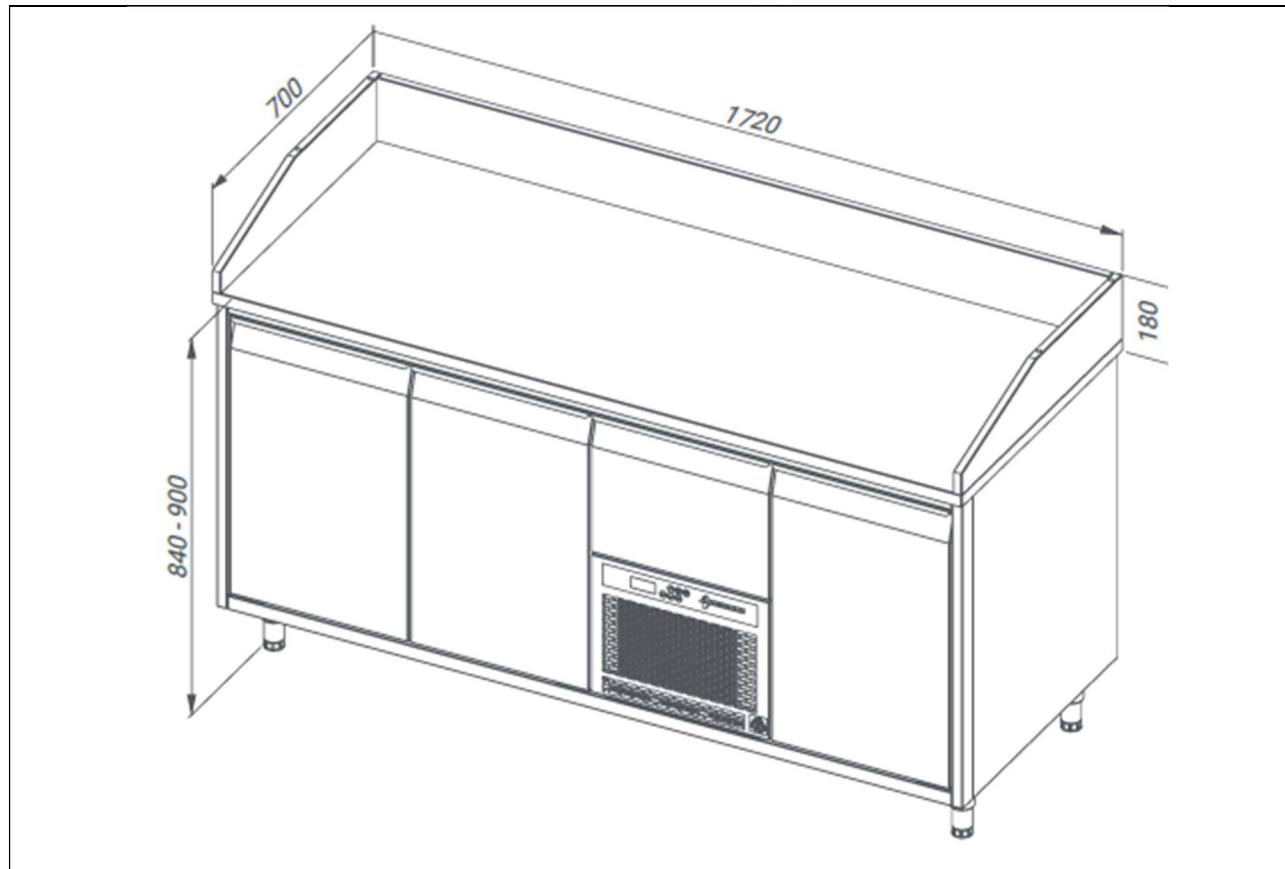
* Input of height adjusting mechanism - max 1.5 A



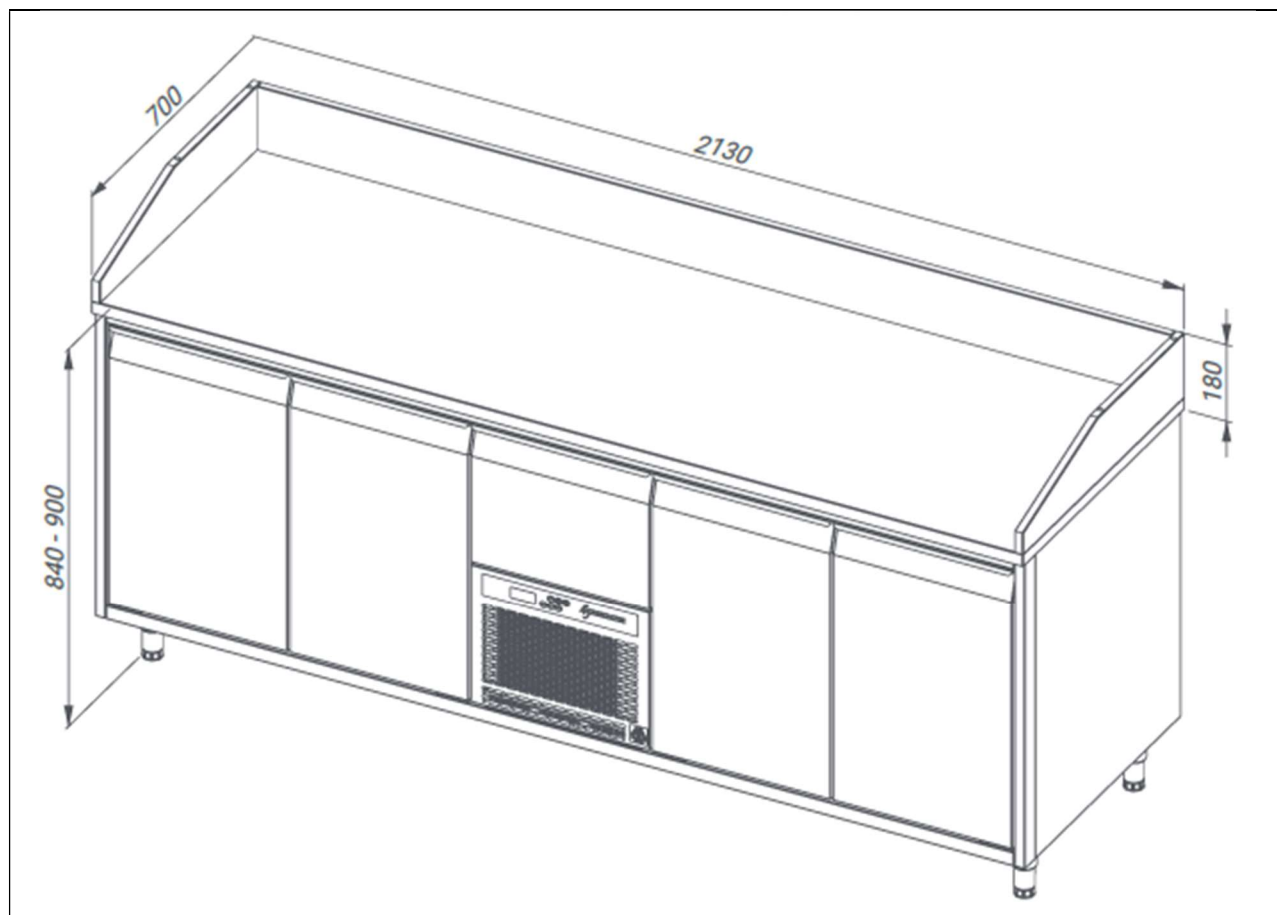
Model:	FM0-E101	FP0-N101
Monoblock:	K-ESMA-N5-T8	K-ESMP-N20-N18
Climate class:	5	3
Energy consumption:	1.14 kWh/24h	6.61 kWh/24h
Energy class:	A	F
Working temperature:	-5 ... +8 °C	-20 ... -18 °C
Input:	0.64 A	4.1 A
Power:	148 W	542 W
Voltage/frequency:	230-240 V / 50 Hz	230-240 V / 50 Hz
Weight, kg:	140	140
Cooling type:	Ventilated	Ventilated
Refrigerant:	R290	R290
Volume, l:	123	123



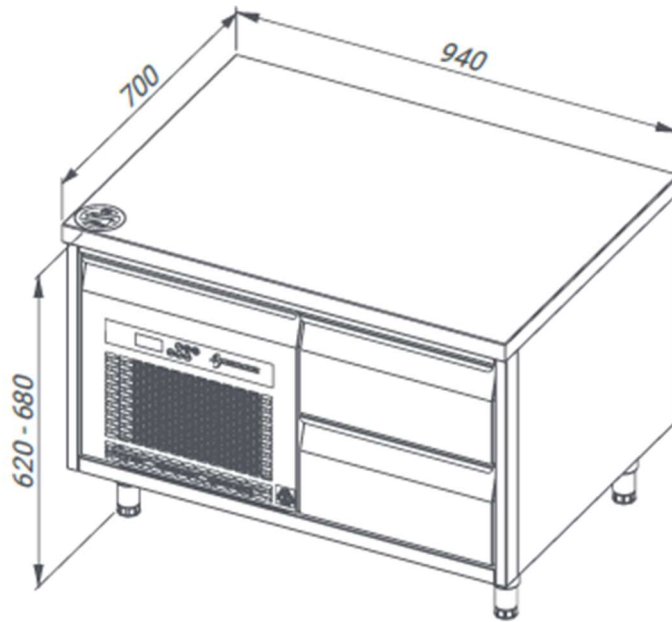
Model:	FM0-E202	FM0-N202
Monoblock:	K-ESMA-N5-T8	K-ESMP-N20-N18
Climate class:	5	3
Energy consumption:	1.24 kWh/24h	7.20 kWh/24h
Energy class:	A	E
Working temperature:	-5 ... +8 °C	-20 ... -18 °C
Input:	0.64 A	4.1 A
Power:	148 W	542 W
Voltage/frequency:	230-240 V / 50 Hz	230-240 V / 50 Hz
Weight, kg:	190	190
Cooling type:	Ventilated	Ventilated
Refrigerant:	R290	R290
Volume, l:	215	215



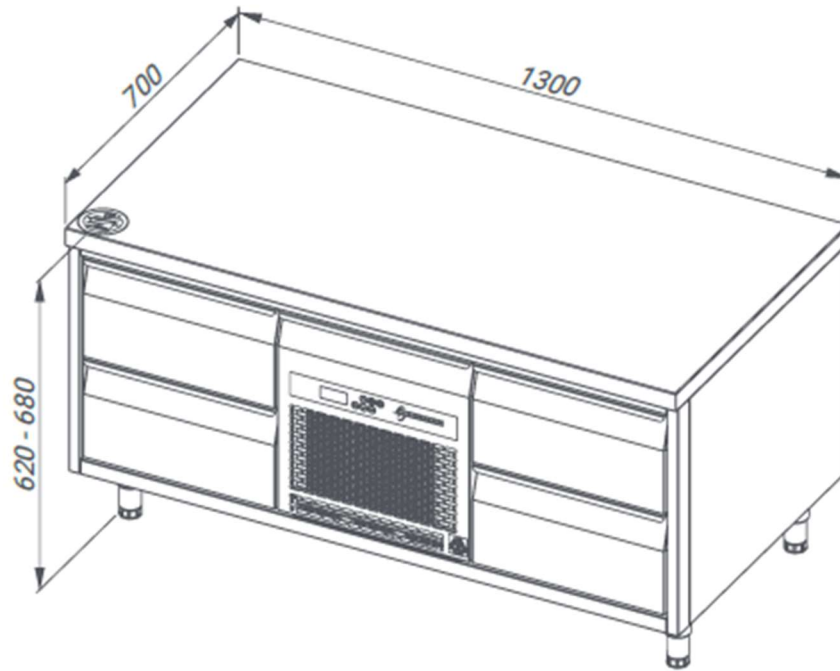
Model:	FM0-E303
Monoblock:	K-ESMA-N5-T8
Climate class:	5
Energy consumption:	1.33 kWh/24h
Energy class:	A
Working temperature:	-5 ... +8 °C
Input:	0.64 A
Power:	148 W
Voltage/frequency:	230-240 V / 50 Hz
Weight, kg:	250
Cooling type:	Ventilated
Refrigerant:	R290
Volume, l:	307



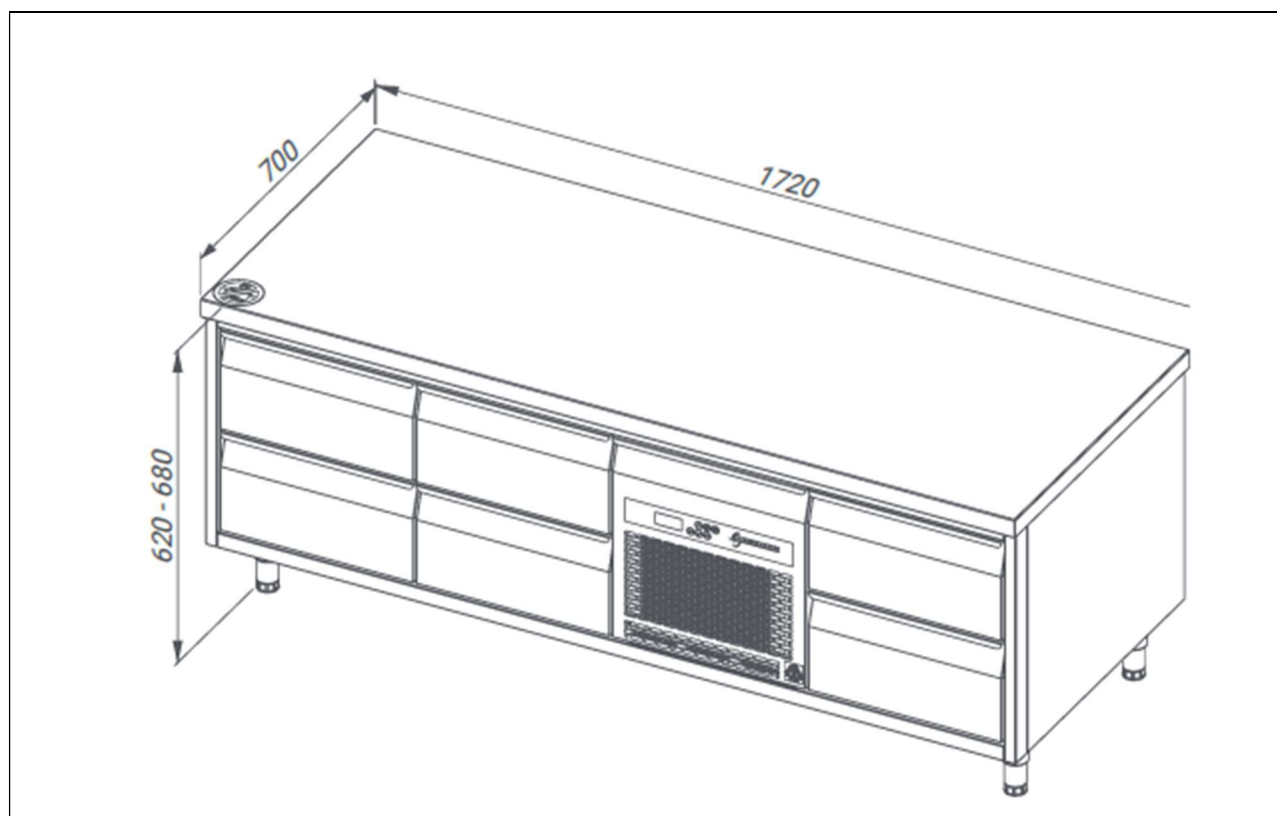
Model:	FM0-E404
Monoblock:	K-ESMA-N5-T8
Climate class:	5
Energy consumption:	1.69 kWh/24h
Energy class:	B
Working temperature:	-5 ... +8 °C
Input:	0.64 A
Power:	148 W
Voltage/frequency:	230-240 V / 50 Hz
Weight, kg:	300
Cooling type:	Ventilated
Refrigerant:	R290
Volume, l:	399



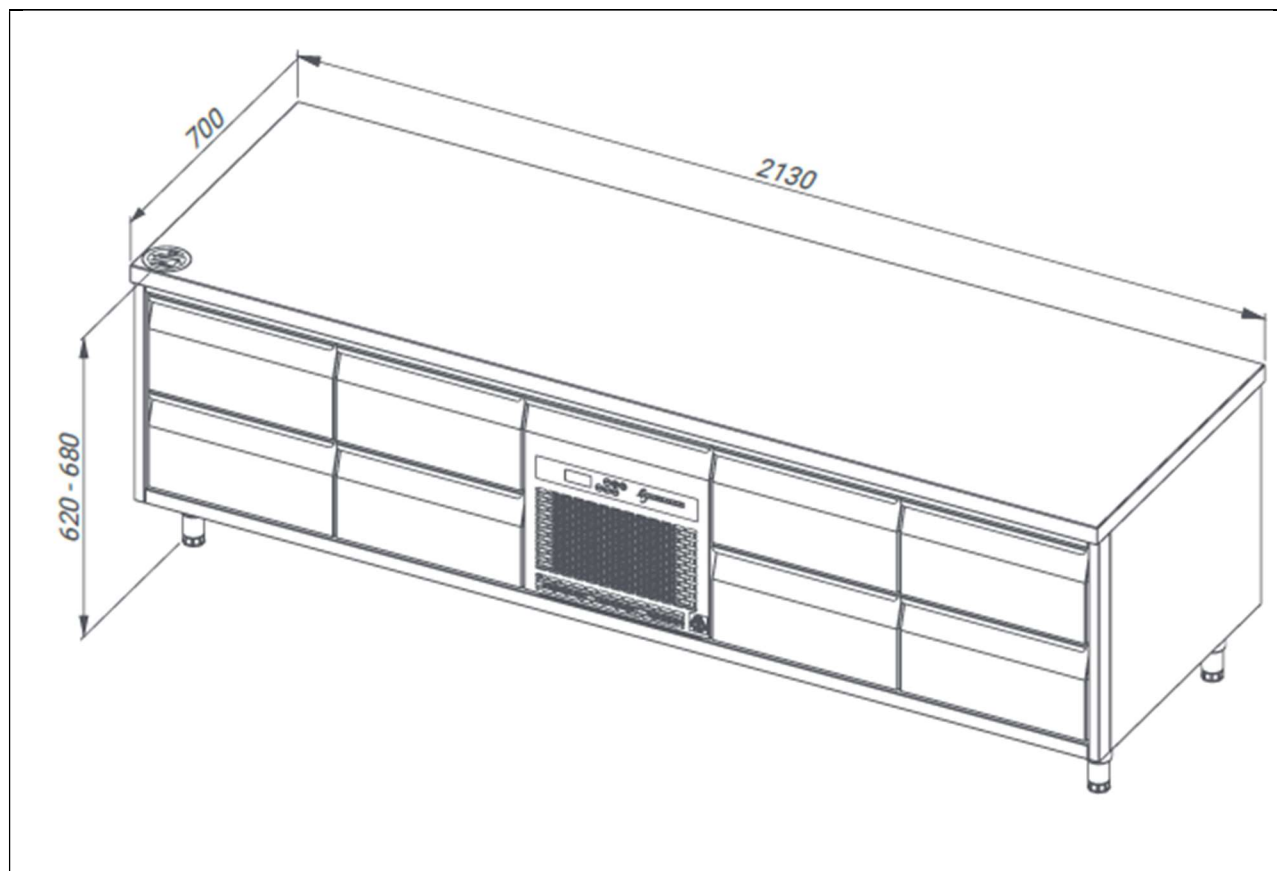
Model:	FP0-E125	FP0-N125
Monoblock:	K-ESMA-N5-T8	K-ESMP-N20-N18
Climate class:	5	3
Energy consumption:	1.03 kWh/24h	3.87 kWh/24h
Energy class:	A	D
Working temperature:	-5 ... +8 °C	-20 ... -18 °C
Input:	0.64 A	4.1 A
Power:	148 W	542 W
Voltage/frequency:	230-240 V / 50 Hz	230-240 V / 50 Hz
Weight, kg:	50	50
Cooling type:	Ventilated	Ventilated
Refrigerant:	R290	R290
Volume, l:	46	46



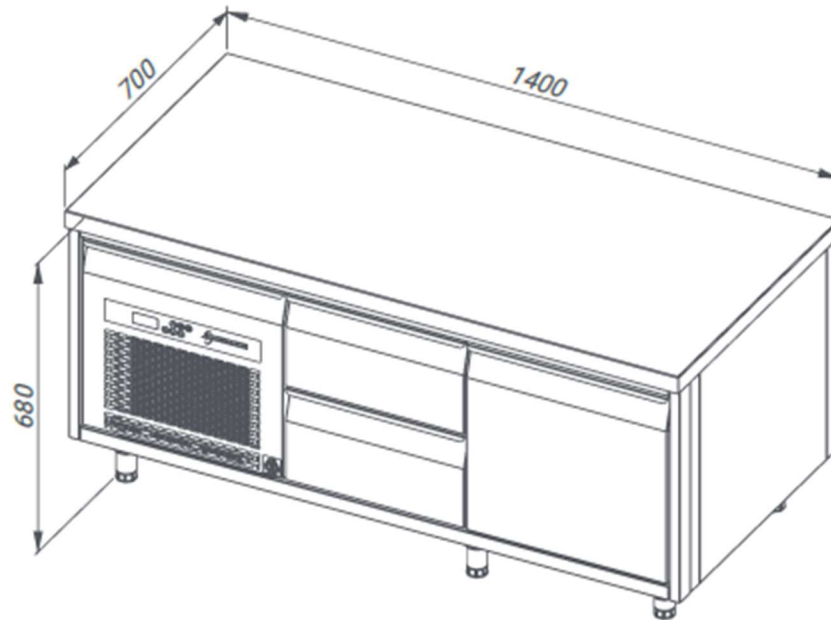
Model:	FP0-E226	FP0-N226
Monoblock:	K-ESMA-N5-T8	K-ESMP-N20-N18
Climate class:	5	3
Energy consumption:	1.12 kWh/24h	4.61 kWh/24h
Energy class:	A	D
Working temperature:	-5 ... +8 °C	-20 ... -18 °C
Input:	0.64 A	4.1 A
Power:	148 W	542 W
Voltage/frequency:	230-240 V / 50 Hz	230-240 V / 50 Hz
Weight, kg:	70	70
Cooling type:	Ventilated	Ventilated
Refrigerant:	R290	R290
Volume, l:	92	92



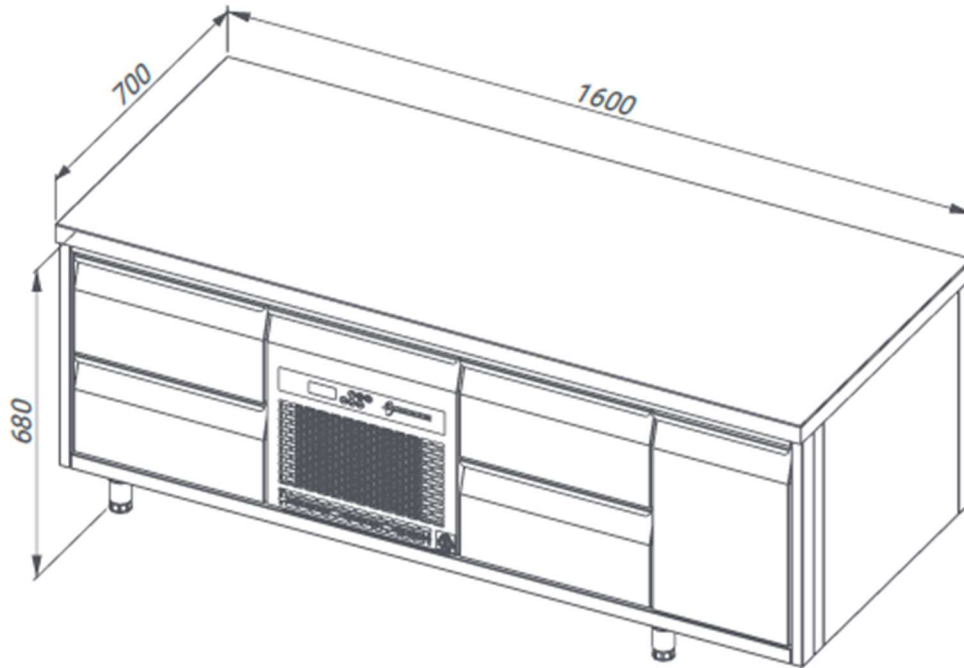
Model:	FP0-E327
Monoblock:	K-ESMA-N5-T8
Climate class:	5
Energy consumption:	1.2 kWh/24h
Energy class:	A
Working temperature:	-5 ... +8 °C
Input:	0.64 A
Power:	148 W
Voltage/frequency:	230-240 V / 50 Hz
Weight, kg:	90
Cooling type:	Ventilated
Refrigerant:	R290
Volume, l:	138



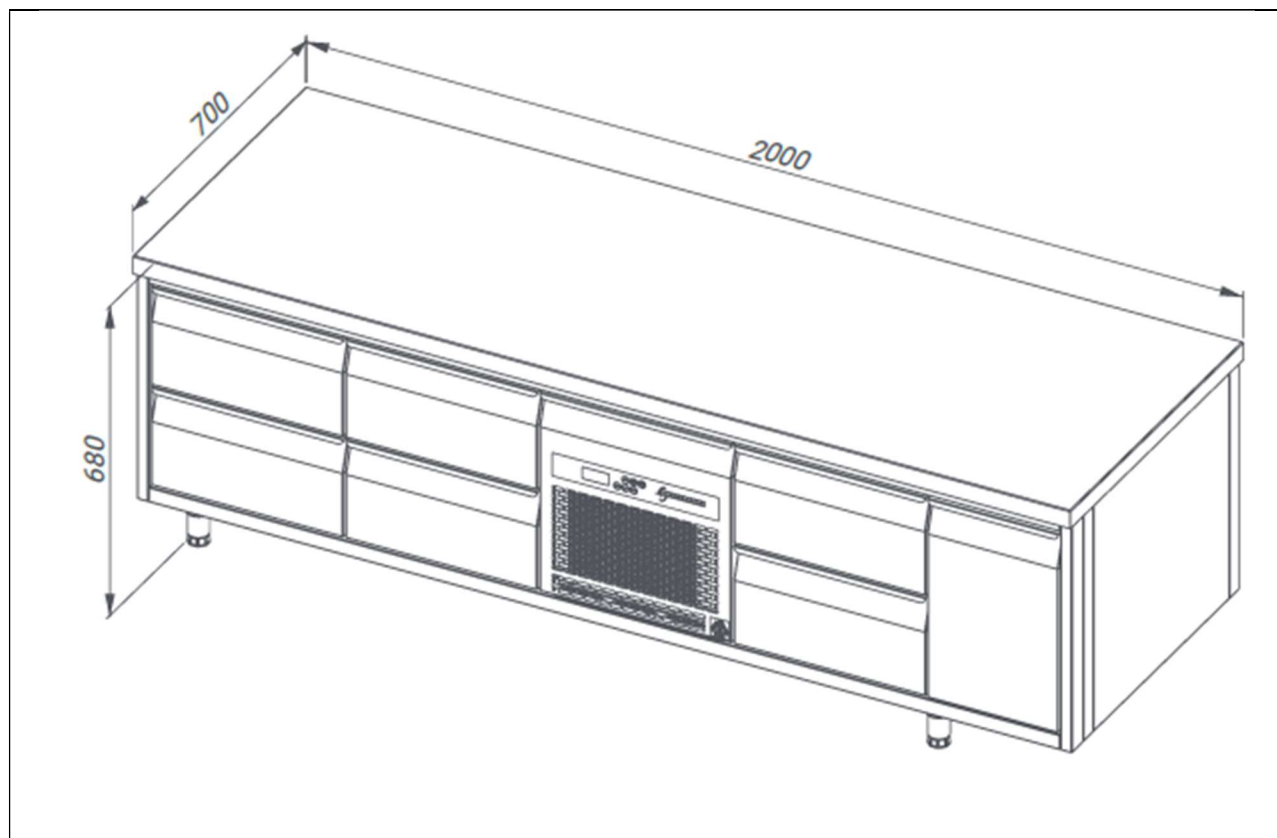
Model:	FP0-E428
Monoblock:	K-ESMA-N5-T8
Climate class:	5
Energy consumption:	1.69 kWh/24h
Energy class:	B
Working temperature:	-5 ... +8 °C
Input:	0.64 A
Power:	148 W
Voltage/frequency:	230-240 V / 50 Hz
Weight, kg:	110
Cooling type:	Ventilated
Refrigerant:	R290
Volume, l:	215



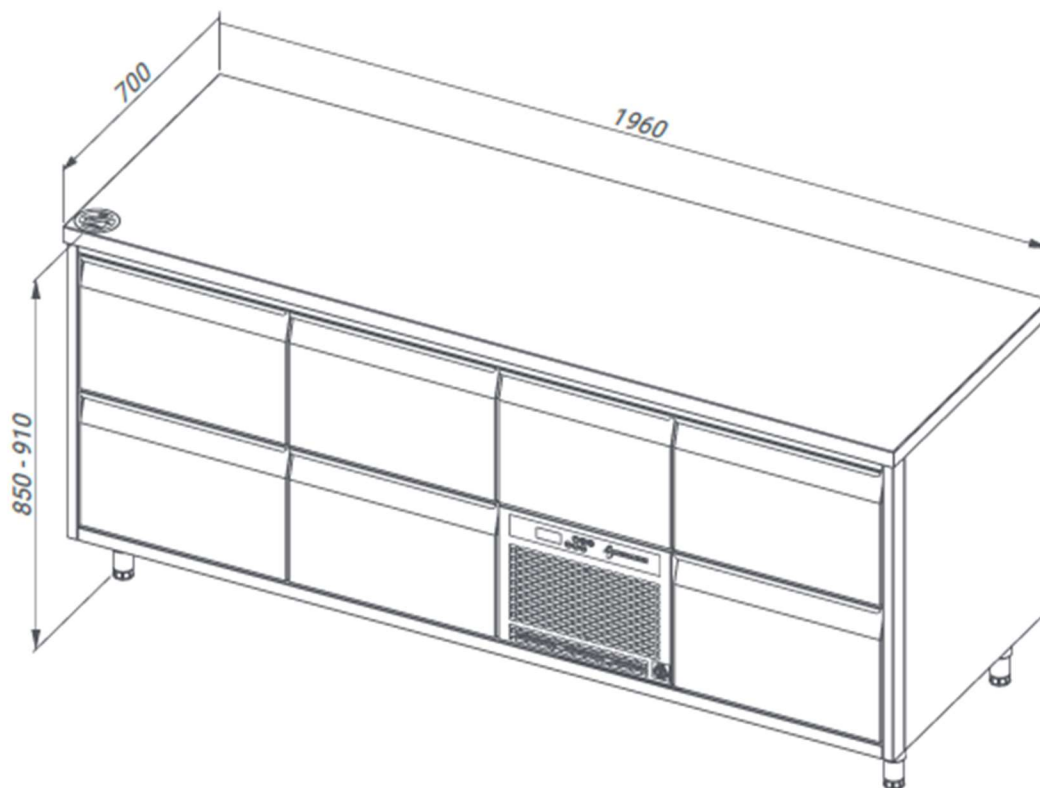
Model:	Z-FPS-E125	Z-FPS-N125
Monoblock:	K-ESMA-N5-T8	K-ESMP-N20-N18
Climate class:	5	3
Energy consumption:	1.03 kWh/24h	3.87 kWh/24h
Energy class:	A	D
Working temperature:	-5 ... +8 °C	-20 ... -18 °C
Input:	0.64 A	4.1 A
Power:	148 W	542 W
Voltage/frequency:	230-240 V / 50 Hz	230-240 V / 50 Hz
Weight, kg:	75	75
Cooling type:	Ventilated	Ventilated
Refrigerant:	R290	R290
Volume, l:	46 + 70	46 + 70



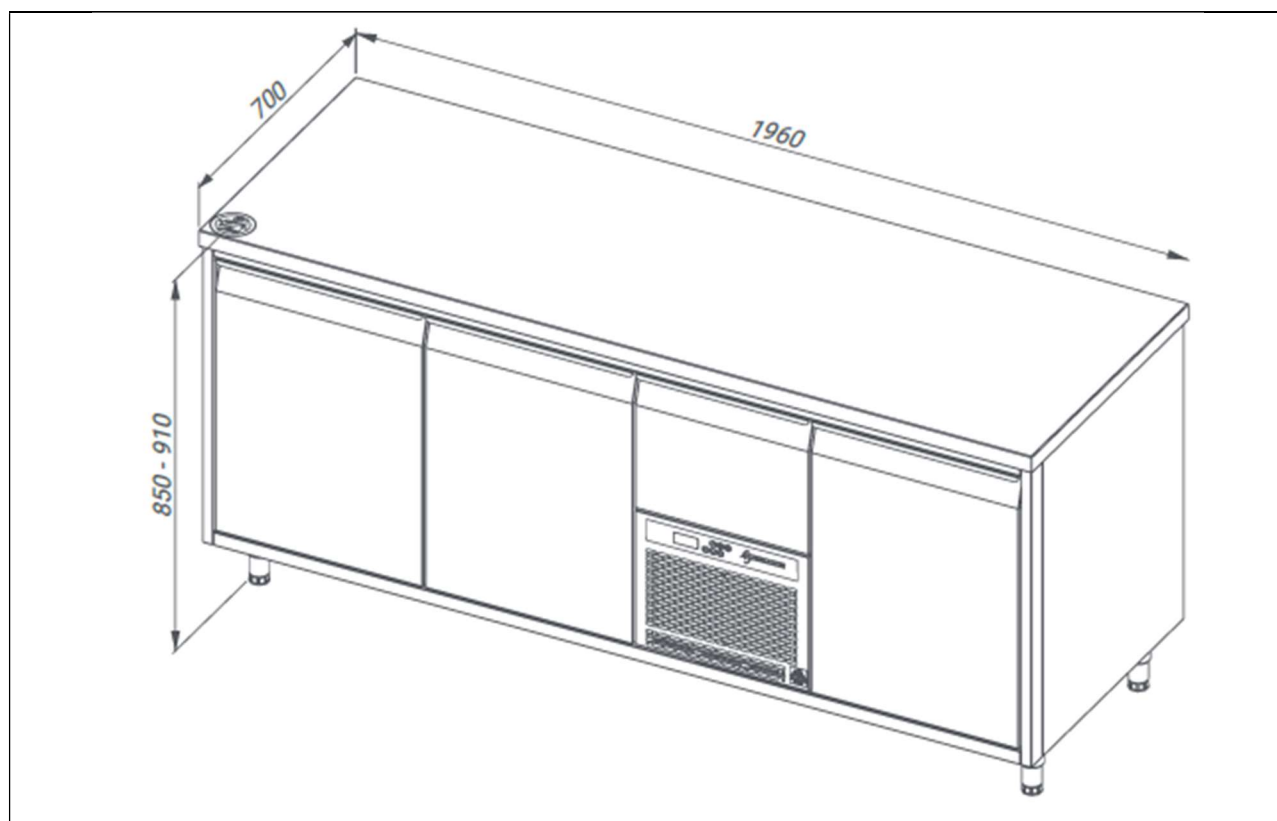
Model:	Z-FPS-E226	Z-FPS-N226
Monoblock:	K-ESMA-N5-T8	K-ESMP-N20-N18
Climate class:	5	3
Energy consumption:	1.12 kWh/24h	4.61 kWh/24h
Energy class:	A	D
Working temperature:	-5 ... +8 °C	-20 ... -18 °C
Input:	0.64 A	4.1 A
Power:	148 W	542 W
Voltage/frequency:	230-240 V / 50 Hz	230-240 V / 50 Hz
Weight, kg:	95	95
Cooling type:	Ventilated	Ventilated
Refrigerant:	R290	R290
Volume, l:	92 + 36	92 + 36



Model:	Z-FPS-E327
Monoblock:	K-ESMA-N5-T8
Climate class:	5
Energy consumption:	1.2 kWh/24h
Energy class:	A
Working temperature:	-5 ... +8 °C
Input:	0.64 A
Power:	148 W
Voltage/frequency:	230-240 V / 50 Hz
Weight, kg:	115
Cooling type:	Ventilated
Refrigerant:	R290
Volume, l:	138 + 33



Model:	FP0-E115	FP0-E216	FP0-E317
Monoblock:	K-ESMA-N5-T8	K-ESMA-N5-T8	K-ESMA-N5-T8
Length:	1010	1460	1960
Climate class:	5	5	5
Energy consumption:	1.18 kWh/24h	1.3 kWh/24h	1.4 kWh/24h
Energy class:	A	A	A
Working temperature:	-5 ... +8 °C	-5 ... +8 °C	-5 ... +8 °C
Input:	0.64 A	0.64 A	0.64 A
Power:	148 W	148 W	148 W
Voltage/frequency:	230-240 V / 50 Hz	230-240 V / 50 Hz	230-240 V / 50 Hz
Weight, kg:	90	110	130
Cooling type:	Ventilated	Ventilated	Ventilated
Refrigerant:	R290	R290	R290
Volume, l:	119	207	295



Model:	FP0-E105	FP0-E206	FP0-E307
Monoblock:	K-ESMA-N5-T8	K-ESMA-N5-T8	K-ESMA-N5-T8
Length:	1010	1460	1960
Climate class:	5	5	5
Energy consumption:	1.18 kWh/24h	1.3 kWh/24h	1.4 kWh/24h
Energy class:	A	A	A
Working temperature:	-5 ... +8 °C	-5 ... +8 °C	-5 ... +8 °C
Input:	0.64 A	0.64 A	0.64 A
Power:	148 W	148 W	148 W
Voltage/frequency:	230-240 V / 50 Hz	230-240 V / 50 Hz	230-240 V / 50 Hz
Weight, kg:	90	110	130
Cooling type:	Ventilated	Ventilated	Ventilated
Refrigerant:	R290	R290	R290
Volume, l:	166	301	436