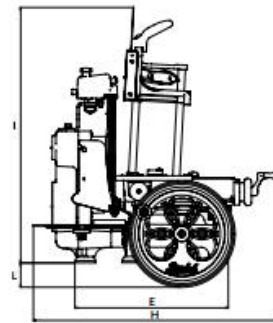
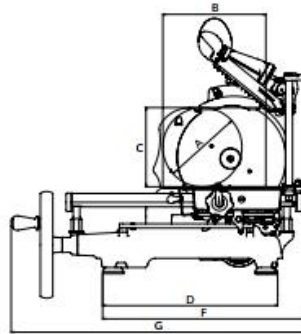


VOLANO TRIBUTE



	A	B	C	D	E	F	G	H	I	L	Ø Lama Ø Blade	Ø Lame Ø Messer	Spessore taglio Cut thickness Épaisseur de coupe Schnittbreite	Peso netto Net weight Poids net Nettogewicht	Dimensione Imballo Packaging dimensions Dim. emballage Verpack. abmessungen	Piedistallo Stand Socle Sockel	Imballo piedistallo Stand packaging Emballage Socle Sockel Verpack.
	mm	mm	mm	mm	mm	mm	mm	mm	mm	mm	mm	mm	mm	kg	cm - kg	cm - kg	cm - kg
TRIBUTE	210	270	210	470	415	555	805	670	700	70	300	300	0 - 1,5	52	86x79x66h - 56	58x58x78h - 45	70x73x100h - 76



Understel ekskl.

Manual flywheel slicer

- Flower flywheel
- Stainless steel receiving tray and parts
- Feet can be installed in two different configurations
- Meat table rapid advance mechanism and return system
- Built-in sharpener
- Slice thickness adjustment system with decimal advance
- Overplate, meat table, receiving tray and sharpener can be easily removed for cleaning
- Partially removable blade guard for safety and cleaning