



**LA FELSINEA S.R.L.**  
 Via L. Einaudi, 47  
 35016 Piazzola Sul Brenta (PD) - ITALY  
 Tel. +39 049 9601602 r.a. - Fax +39 049 9601606  
 E-mail: [info@felsinea.com](mailto:info@felsinea.com)  
 Website: <http://www.felsinea.com>

**SPACE 50**



- Its extraordinary design reduces the dimensions of the machine and improves its handiness
- A large-volume cover-plate made of high thickness thermoformed Plexiglas
- Easily removable sealing bar
- Electronic control System featuring:
  - 6 languages selection
  - Sealing, vacuum and gas time settings, with 1/10 sec scale.
  - Vacuum percentage and time left display
  - 8 storable programmes
  - A programme = automatic vacuum
  - X programme = external suction
  - Oil replacement signal.
- Optional:
  - gas and soft air release system
  - Adjustable shelf sacs containing liquids
  - methacrylate containment tray.
  - Glazed product holding surface for an easy hygiene



*SPACE 50 BX2*



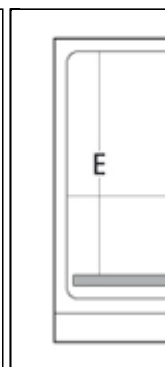
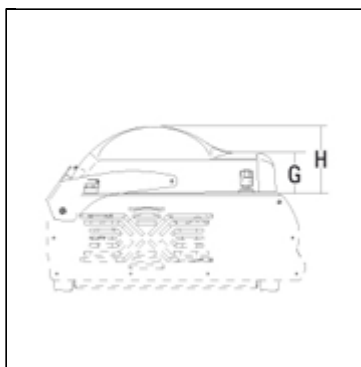
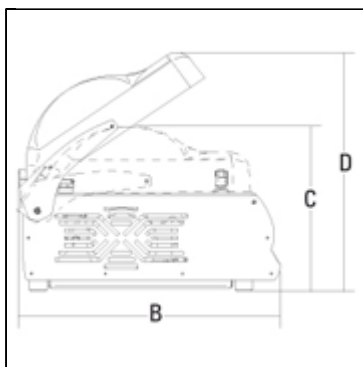
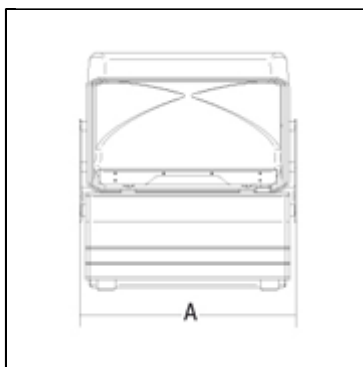
*Easy cleaning*



*Polyethylene plate*



*Optional stand with wheels*



Model	50 DS	50 DX	50 BX	50 DX2	50 BX2
Power	kw 0,75	kw 0,75	kw 0,75	kw 0,75	kw 0,75

Power source	230V 50Hz F+N	230V 50Hz F+N	230V 50Hz F+N	230V 50Hz F+N	230V 50Hz F+N
Cavity dimensions	mm 545x460x190h.	mm 545x460x190h.	mm 545x460x190h.	mm 545x460x190h.	mm 545x460x190h.
Vacuum pump	21 mc/h	21 mc/h	21 mc/h	21 mc/h	21 mc/h
Sealing bar	mm 510	mm 510	mm 510	mm 410 x2	mm 410 x2
A	mm 609	mm 609	mm 609	mm 609	mm 609
B	mm 640	mm 640	mm 640	mm 640	mm 640
C	mm 420	mm 420	mm 420	mm 420	mm 420
D	mm 605	mm 605	mm 605	mm 605	mm 605
E	mm 430	mm 430	mm 430	mm 424	mm 424
F	mm 540	mm 540	mm 540	mm 428	mm 428
G	mm 90	mm 90	mm 90	mm 90	mm 90
H	mm 210	mm 210	mm 210	mm 210	mm 210
Net weight	70 Kg	70 Kg	70 Kg	75 Kg	75 Kg
Shipping dimensions	840x870x750 mm	840x870x750 mm	840x870x750 mm	840x870x750 mm	840x870x750 mm
Gross weight	86 Kg	86 Kg	86 Kg	87 Kg	87 Kg