



Line 700

fryers

The top plate is made of stainless steel CrNi 18/10 class AISI 304 with thickness 1.5 mm. The base legs are made of stainless steel and are height adjustable. The whole unit complies with protection IP24. The main unit 700 specifications include high performance, pressed tanks with round internal angles and ergonomic front panels with operating and control elements.



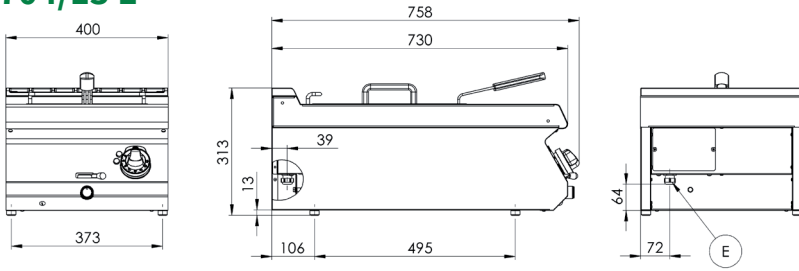
- top plate from stainless steel AISI 304 thickness 1.5 mm
- ergonomically shaped pressed tanks with volumes 13 or 17 l
- rotary heating unit with triple winding and high performance
- spacious cold zone between the heating element and the tank bottom.
- oil drainage with drainage valve into GN vessel with filter inside the base
- safety valve against unintentional drainage
- the type models include the robust baskets, the option of using 2 baskets inside one tank
- thermal regulation 50-190 °C
- safety thermostat 235 °C
- in selected models high performance 0.96 kW per 1 l of oil
- low rear chimney with cast iron grill
- water resistant control – prevents penetration of liquids in the cavities



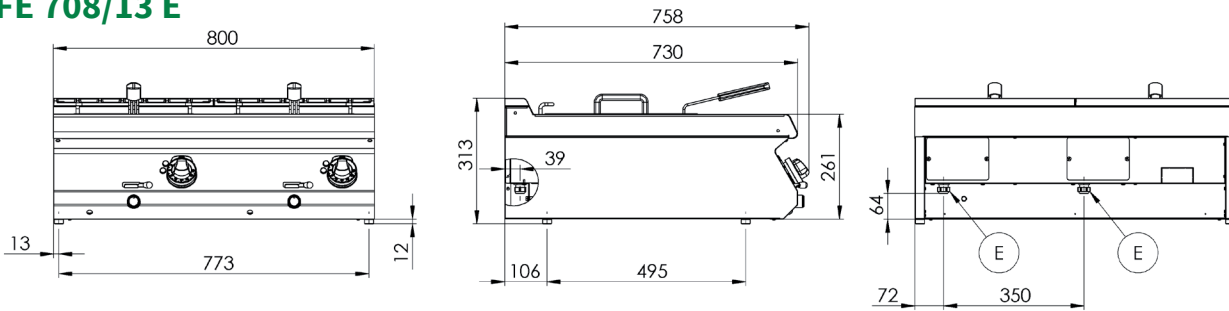
Index	Model	mm	kg	V / Hz	kW (kW/L)	L	° C	Baskets mm
117 090 072	⚡ FE 704/13 E	400 x 730 x 313	24,2	400 / 50-60	12,5 (0,96)	13	50 - 190	280 x 295
117 090 073	⚡ FE 708/13 E	800 x 730 x 313	44,2	400 / 50-60	25 (0,96)	2 x 13	50 - 190	280 x 295
117 090 032	⚡ FE 740/13 E	400 x 730 x 900	45,3	400 / 50-60	9,9 (0,76)	13	50 - 190	215 x 300
117 090 019	⚡ FE 780/13 E	800 x 730 x 900	77,4	400 / 50-60	19,8 (0,76)	2 x 13	50 - 190	215 x 300
117 090 067	⚡ FE 740/17 E	400 x 730 x 900	45,2	400 / 50-60	13,5 (0,8)	17	50 - 190	280 x 300
117 090 068	⚡ FE 780/17 E	800 x 730 x 900	79,7	400 / 50-60	27 (0,8)	2 x 17	50 - 190	280 x 300
117 090 700	🔥 FE 740/15 G	400 x 730 x 1060	44	-	12	15	110 - 190	280 x 295
117 090 701	🔥 FE 780/15 G	800 x 730 x 1060	78	-	24	2 x 15	110 - 190	280 x 295
117 090 651	🔥 FE 740/17 G	400 x 730 x 900	44	-	15	17	110 - 190	280 x 300
117 090 658	🔥 FE 780/17 G	800 x 730 x 900	78	-	30	2 x 17	110 - 190	280 x 300



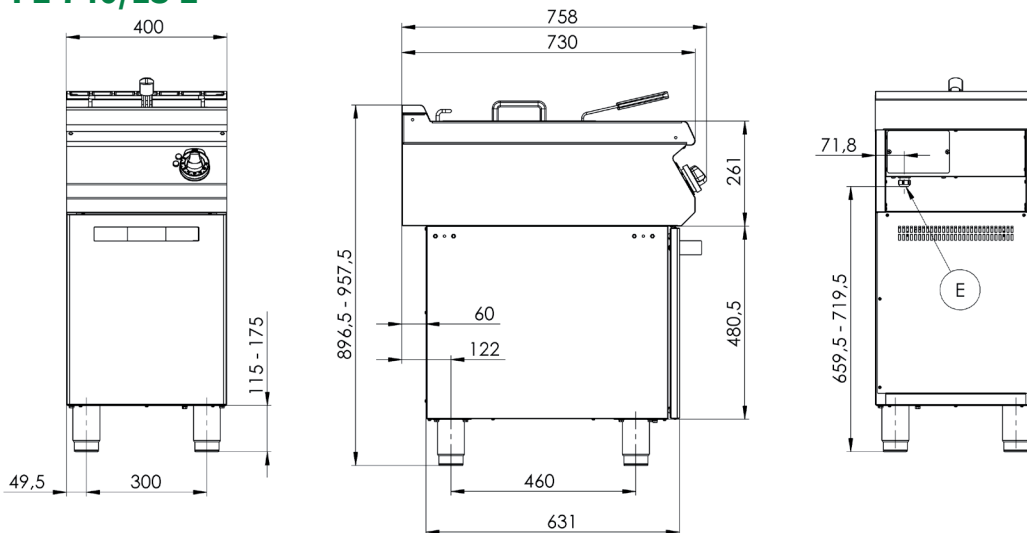
FE 704/13 E



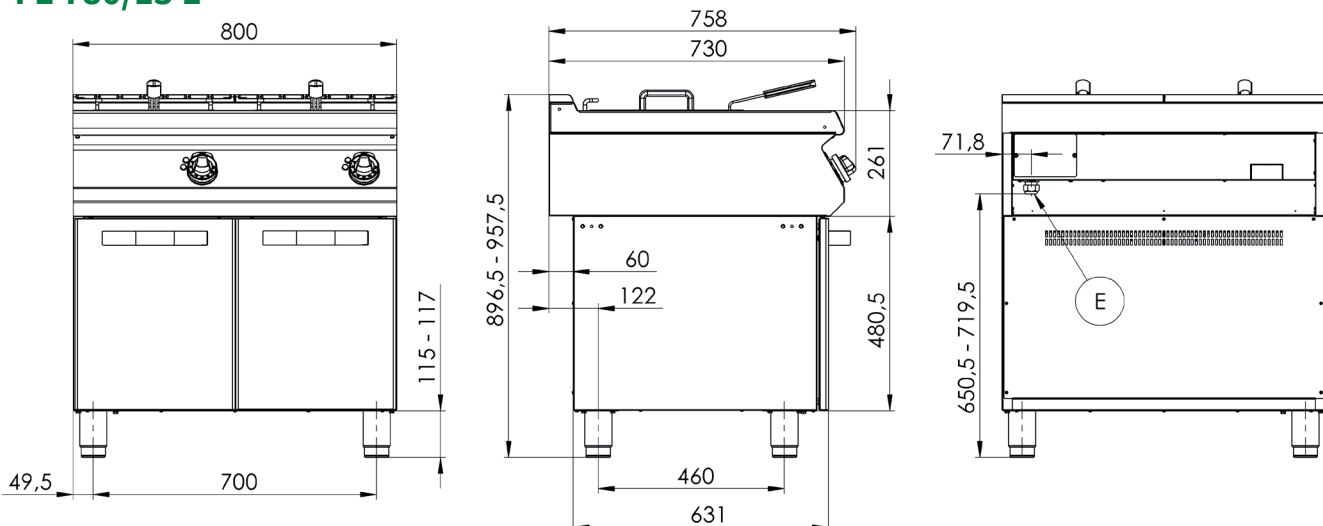
FE 708/13 E



FE 740/13 E

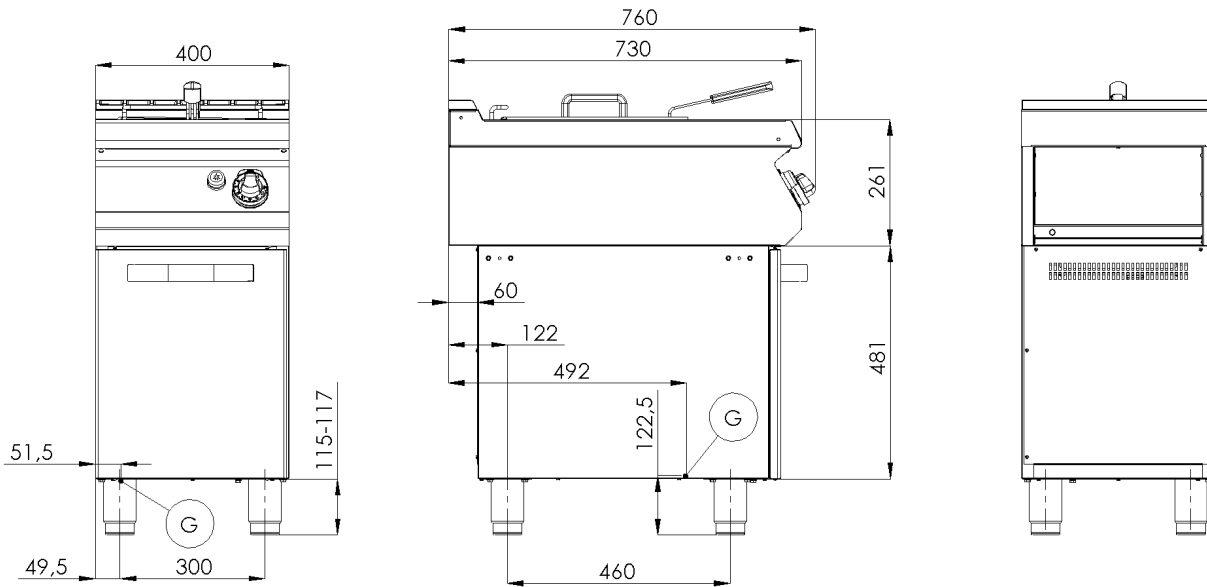


FE 780/13 E

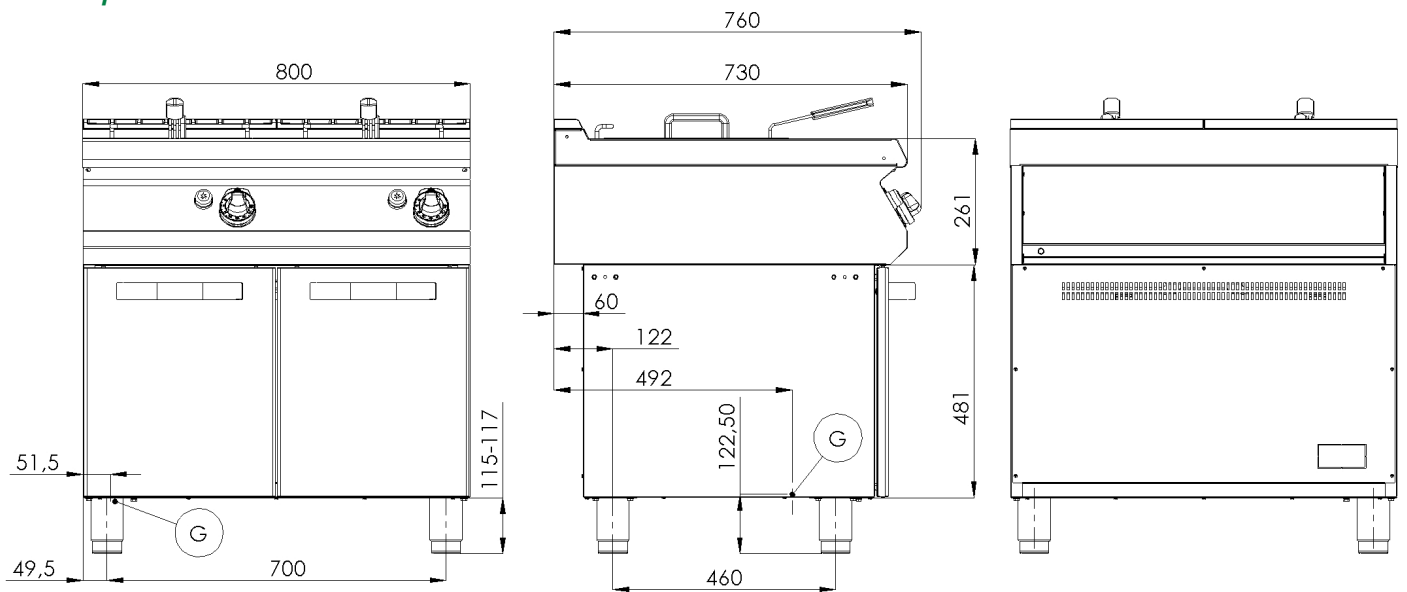


E - electric

FE 740/17 G



FE 780/17 G



G - gas