

Front part of the pizza ovens, including door, made of stainless steel. All ovens with separate control for each chamber, refractory stones on the lower part of the chamber. The models are divided into one-chamber and two-chamber ones. If necessary it is possible to order stands for the ovens.

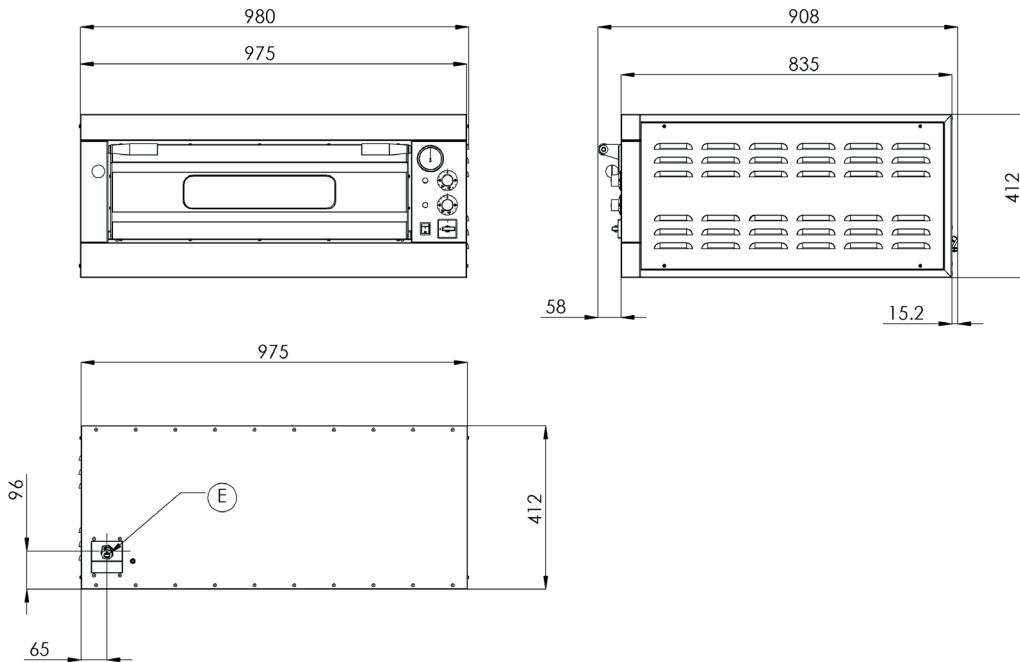


- Visible part of the chamber from AISI 430
- Casing and back part from galvanised varnished sheet
- Door together with the front panel
- Inner part of the door from stainless steel
- Two handles on the door
- Main switch and switch for inner lightning for each chamber
- Two thermostats for each chamber
- Front part of the chamber from AISI 430
- Chamber made of aluminium
- Controllable chimney for humidity regulation
- Refractory stones on the lower part with thickness 14 mm
- Possibility of two ovens on each other
- Thickness of the insulation is 20 mm / 50 mm

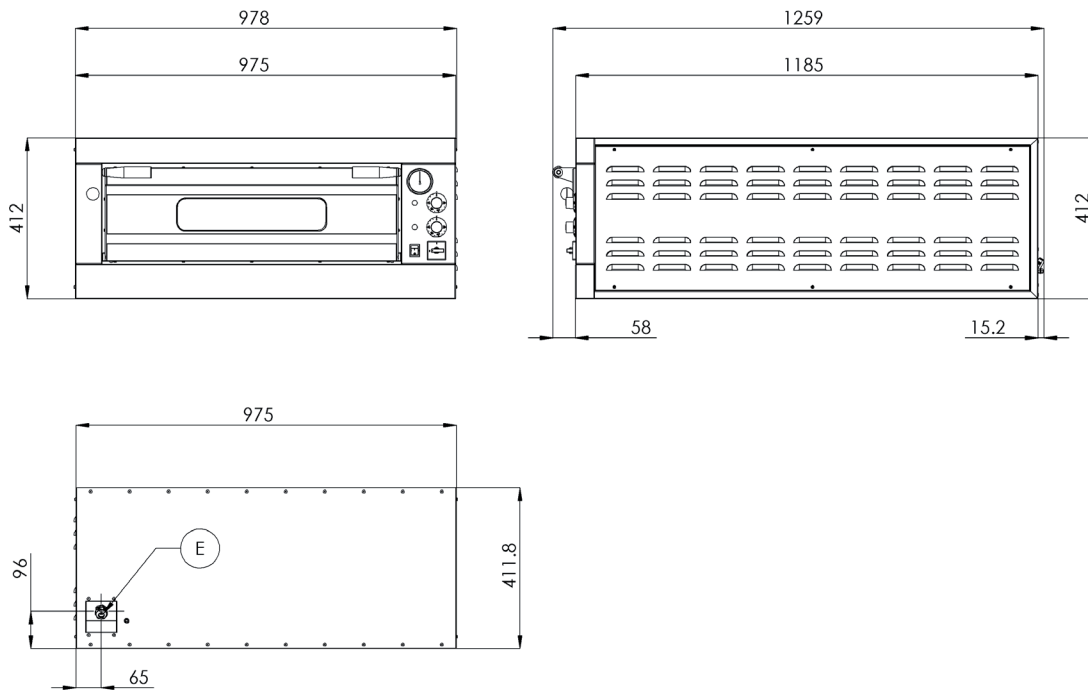


Index	Model	mm	kg	V / Hz	°C	kW	Internal mm	Number of elements per chamber
104 200 400	E 4	980 x 909 x 412	54,2	400 / 3N / 50-60	50 - 450	4,8	700 x 700 x 150	4
104 200 600	E 6	980 x 1259 x 412	93,8	400 / 3N / 50-60	50 - 450	7,2	700 x 1050 x 150	6
104 200 650	E 6 L	1310 x 894 x 412	92,5	400 / 3N / 50-60	50 - 450	8	1050 x 700 x 150	4
104 200 900	E 9	1310 x 1253 x 412	109	400 / 3N / 50-60	50 - 450	12	1050 x 1050 x 150	6
104 200 800	E 8	980 x 905 x 763	128,5	400 / 3N / 50-60	50 - 450	9,6	2 x 700 x 700 x 150	4
104 201 200	E 12	980 x 1259 x 763	155,7	400 / 3N / 50-60	50 - 450	14,4	2 x 700 x 1050 x 150	6
104 201 250	E 12 L	1310 x 912 x 763	169,1	400 / 3N / 50-60	50 - 450	16	2 x 1050 x 700 x 150	4
104 201 800	E 18	1310 x 1266 x 763	205,9	400 / 3N / 50-60	50 - 450	24	2 x 1050 x 1050 x 150	6
118 060 078	E 4/50	830 x 665 x 412	39	400 / 3N / 50-60	50 - 450	4	550 x 550 x 150	2
118 060 082	E 8/50	830 x 665 x 763	78	400 / 3N / 50-60	50 - 450	8	2 x 550 x 550 x 150	2

E 4

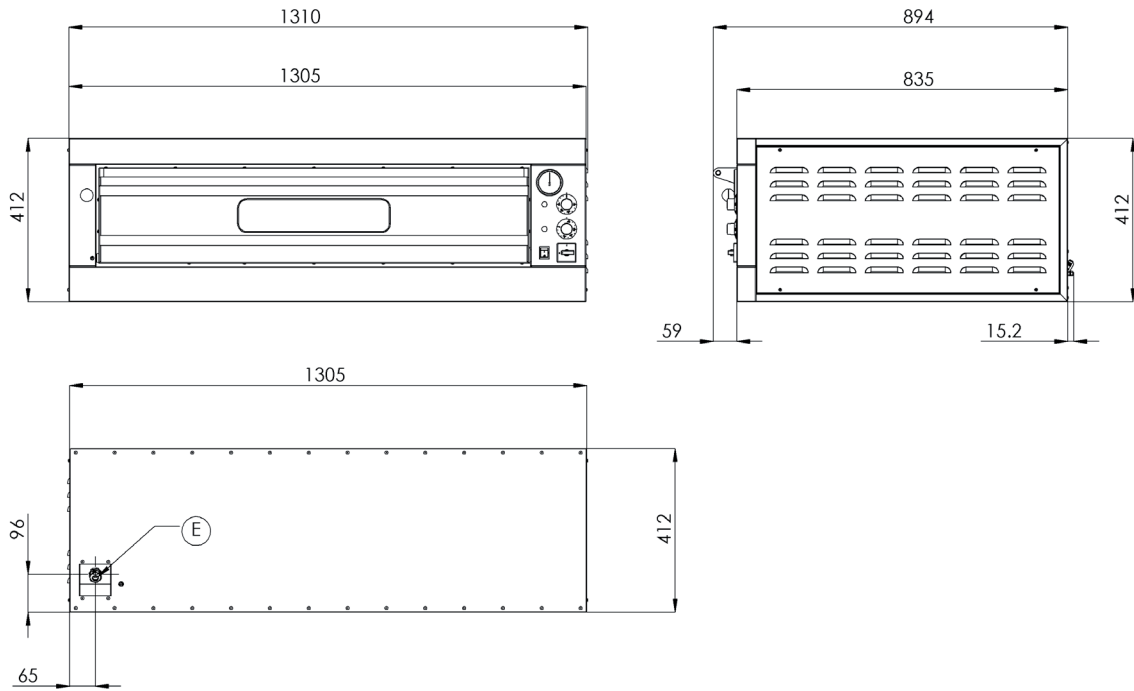


E 6

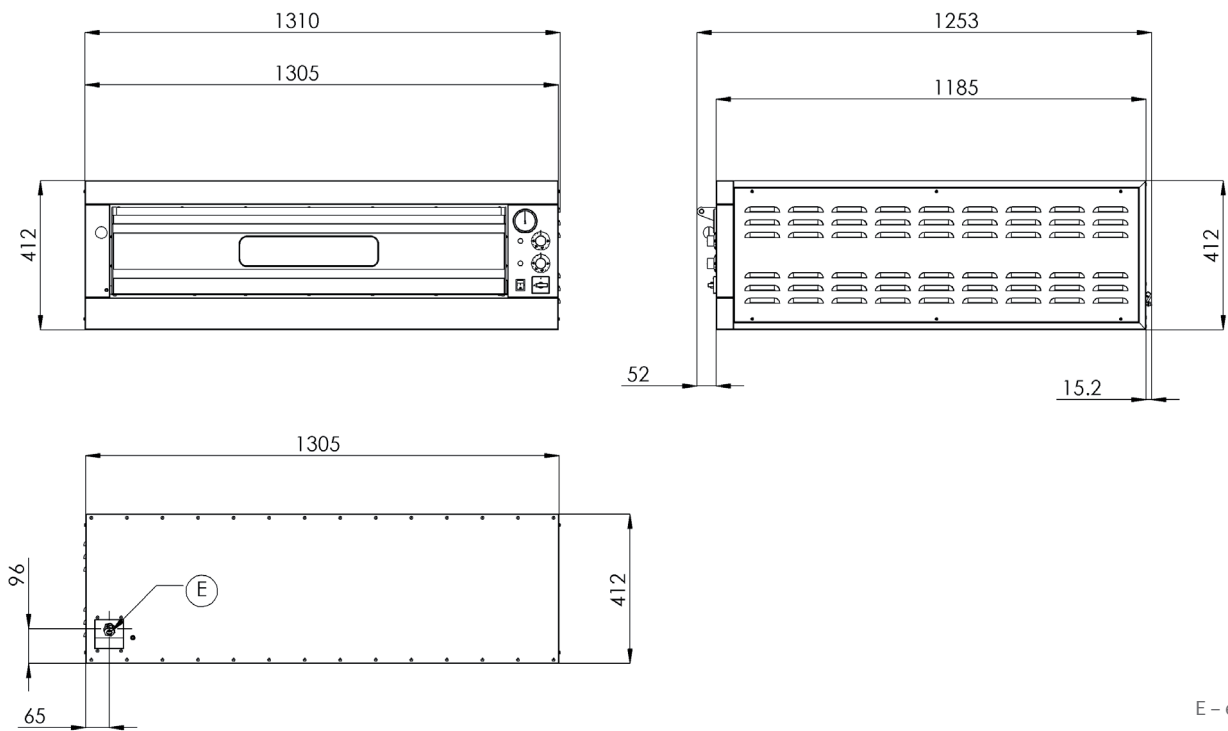


E - electric

E 6L

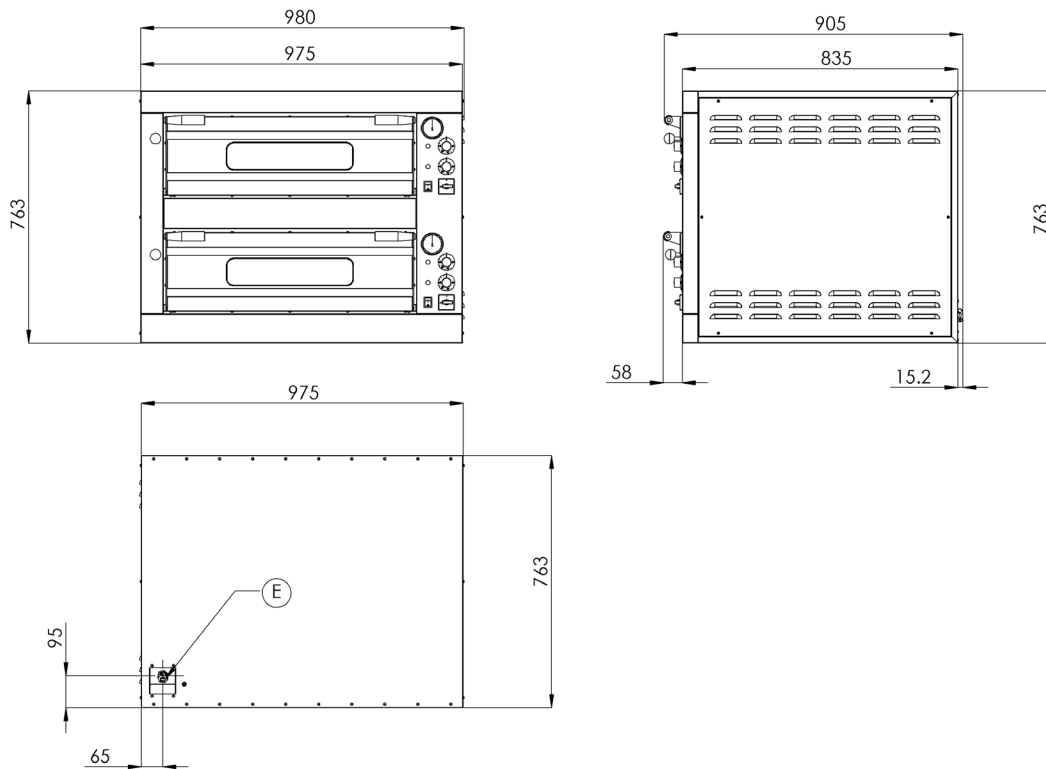


E 9

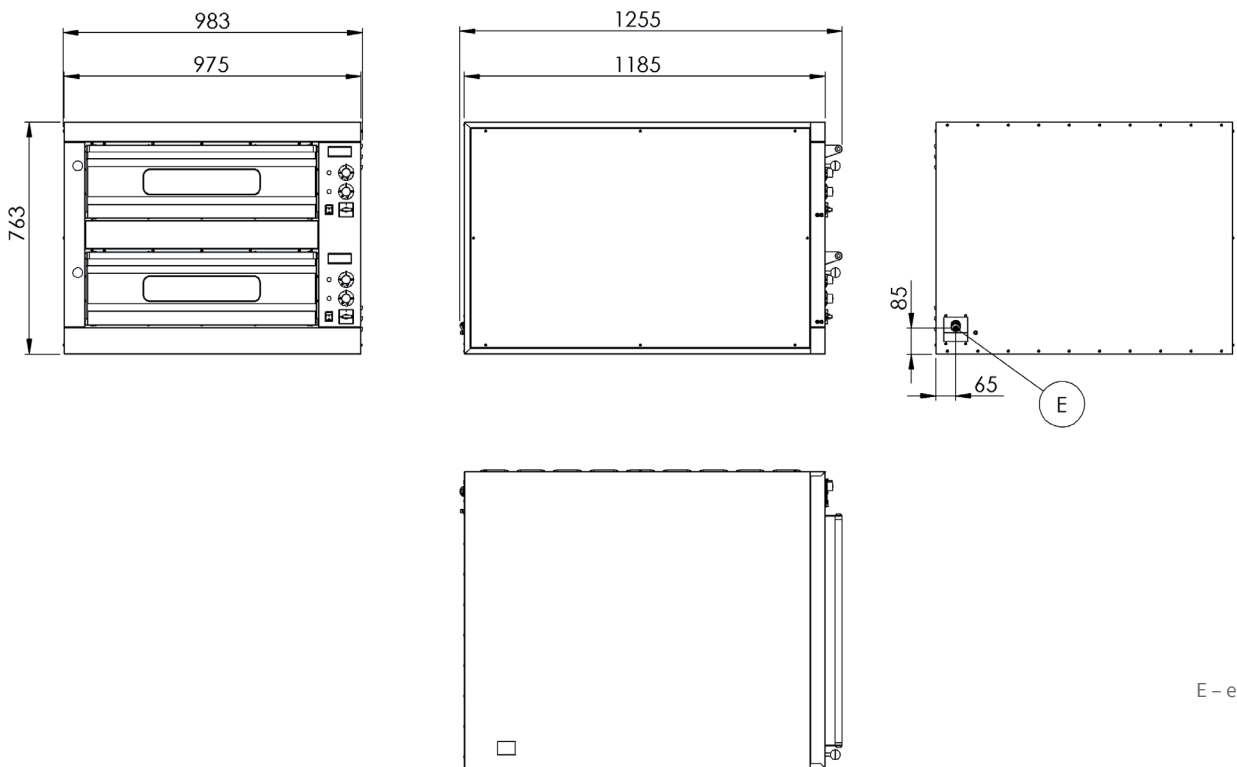


E - electric

E 8

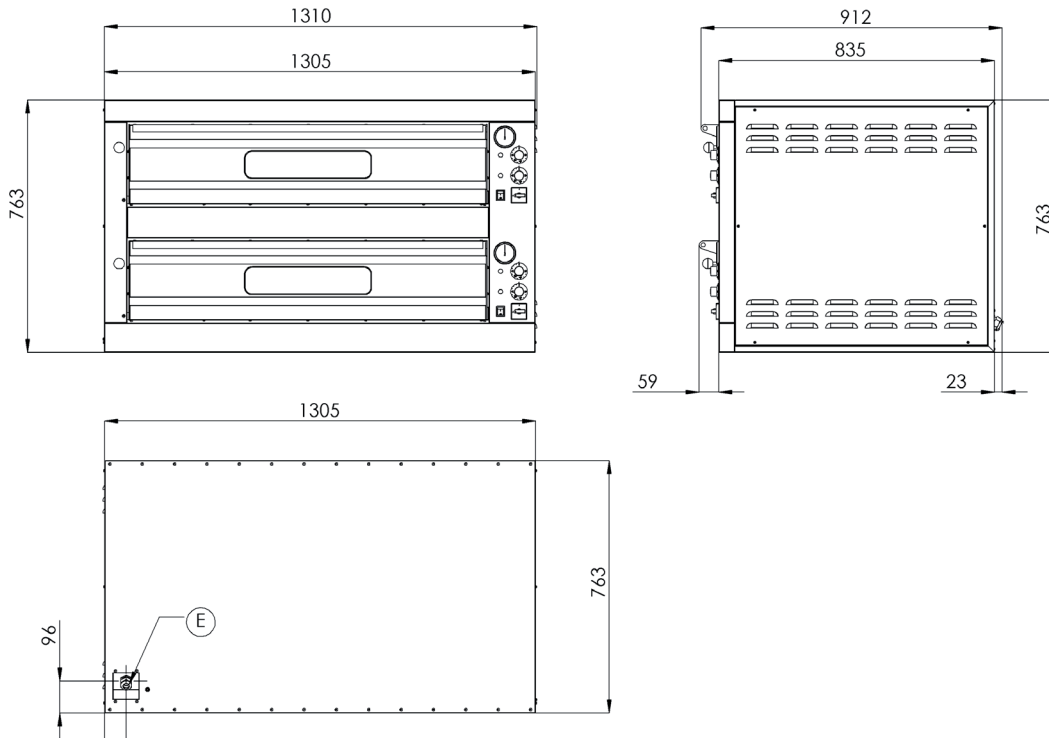


E 12

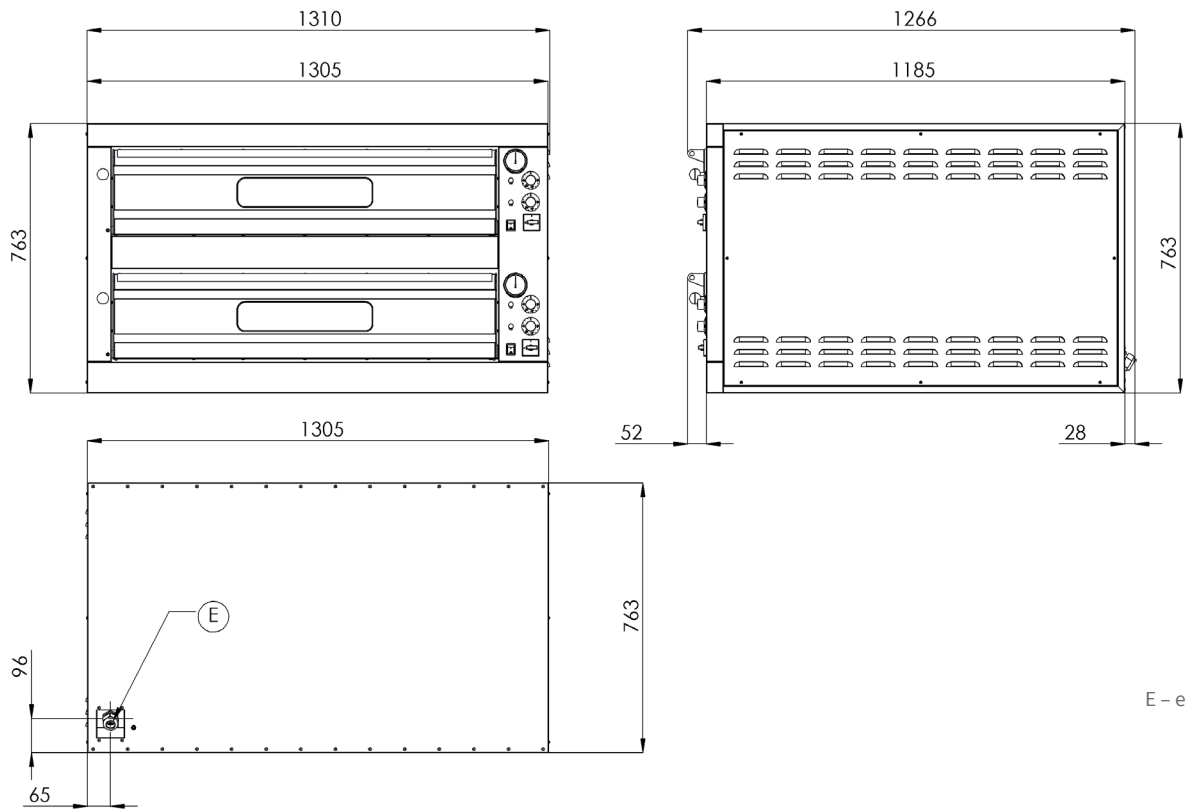


E - electric

E 12L

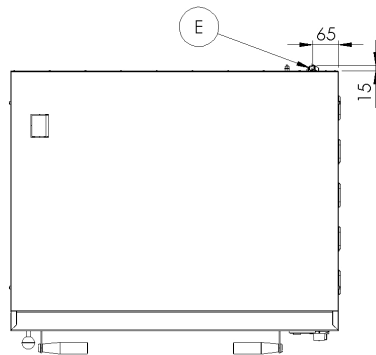
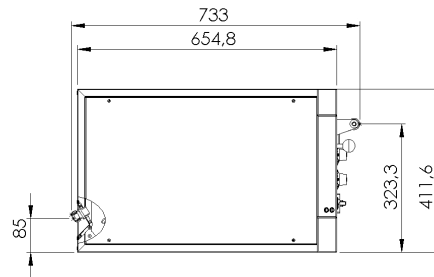
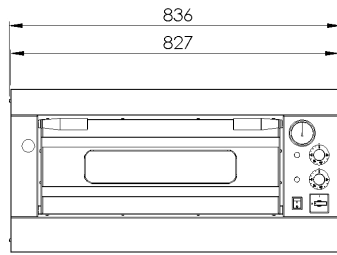


E 18

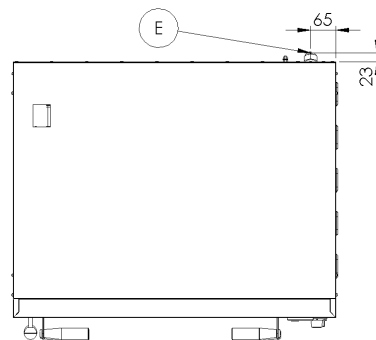
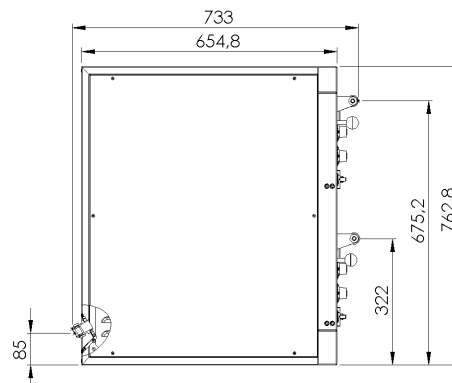
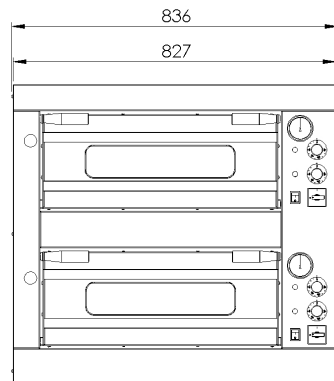


E - electric

E 4/50



E 8/50



E – electric

